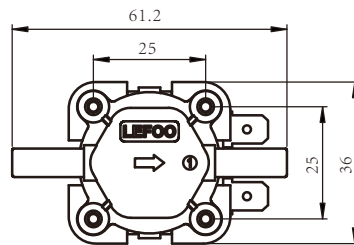
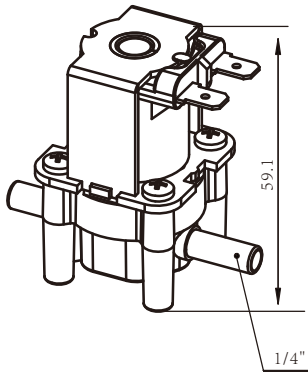
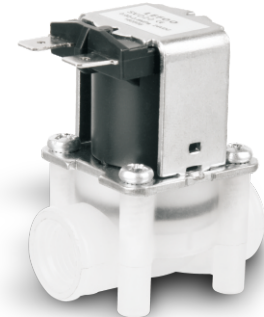
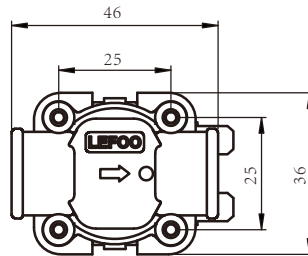
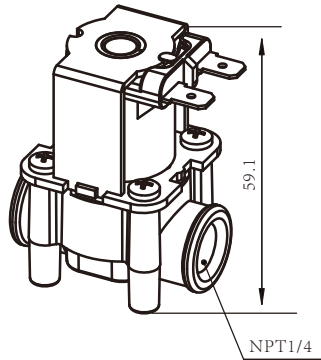
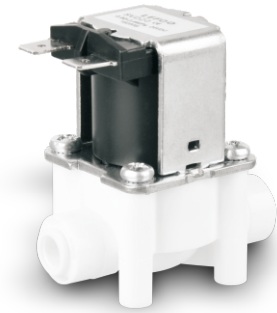
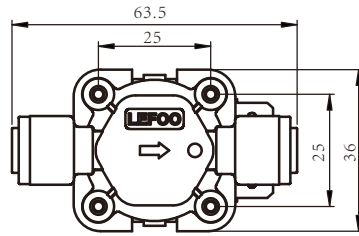
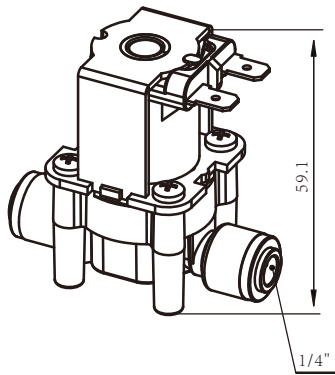


SVD20 Inlet Solenoid Valve



Dimensions: mm

SVD20 Series of inlet and outlet solenoid valve with novel design, unique structure, also with excellent anti-blocking, anti-leakage performance, and are widely used in various types of high-grade water dispenser, RO straight drinking machine, pipeline machine, water purifying machine, coffee machine and other home appliances.

Technical Details

Model	Value			
Rated Voltage	DC12V	DC15V	DC24V	DC36V
Working Voltage	DC12V±15%	DC15V±15%	DC24V±15%	DC36V±15%
Water Pressure Range	0.02~0.8MPa			
Medium Temperature	0~100℃			
Working Life	≥100000 times			
Water Pressure	0.3MPa			
Flow	>0.3L/min			
Spacing	Spacing: 25×25mm/42±0.2mm			
Inlet Port	Φ6.35mm、NPT1/4、1/4"			
Outlet Port	Φ6.35mm、NPT1/4、1/4"			
Options	Customer design and OEM service are provided			