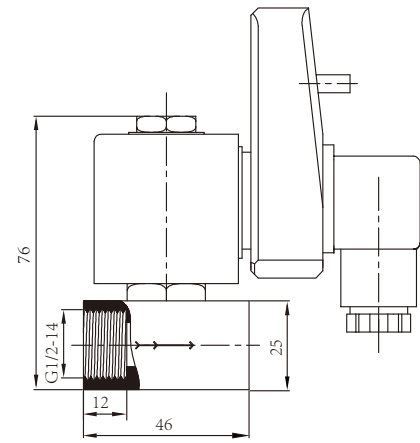
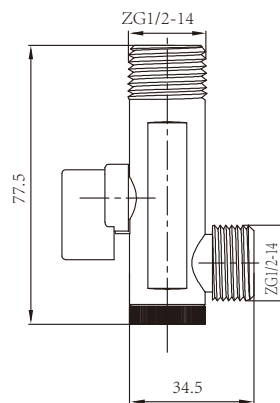
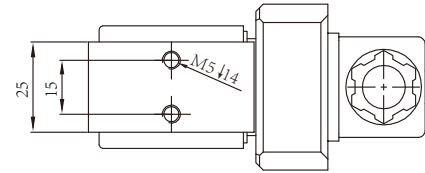
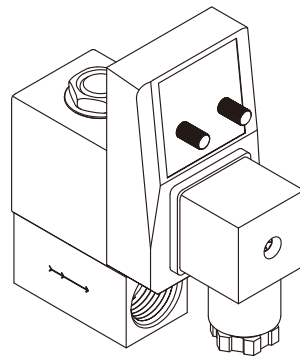


LFSV20-B

Drainage
Solenoid Valve



Dimension in:mm

Installation and use of products

1. Before installation, make sure no impurities like dirt, copper scale and rust in the compressed air system, and the system pressure has been released for one minute.
2. Vertically installed into the pipe, the flow direction should be same as arrow in the valve shows, don't use flexible pipe without resistance to air impact in the water outlet.
3. Make sure the input power is coincident to the voltage shows in the coil. No permission to remove the coil from valve when power on, to protect coil from burning.
4. The positive pole should be connected with connection "1" when use DC voltage.

LFSV20-B is a kind of 2/2-way solenoid valve, which is normally closed. It's used for blocking or mobilizing medium in pipe, to discharge condensate water after compress air. The main application of LFSV20-B is filter, separator, drying machine, air tank, drop foot, and other components of compressed air system. The drain time and interval time are adjustable.

Specification

Model	LFSV20-B
Media	Water
Media temperature	-20~80°C
Work pressure	0~16 bar
Hole diameter(mm)	φ 3.0
Interval time	0.5~45min
Drain time	0.5~10 sec
Connection type	3/8" or 1/4" is available