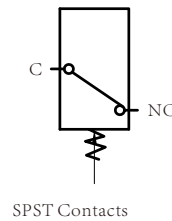
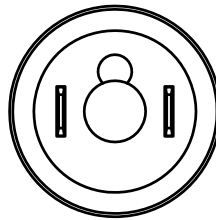
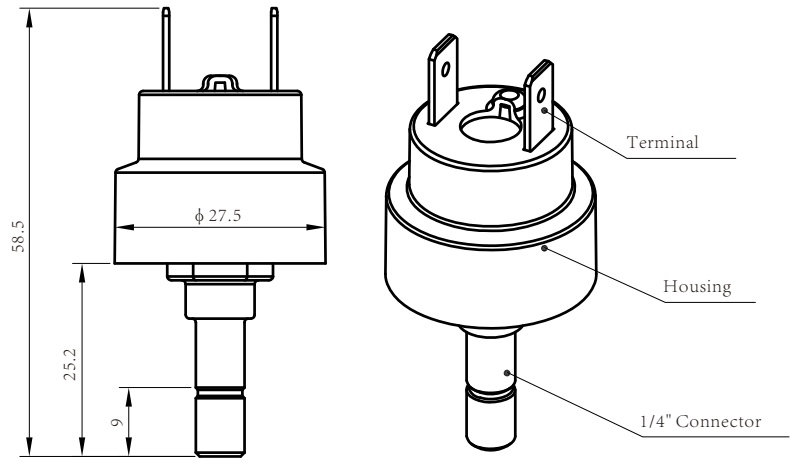


LF08E

Pressure switch for water purifier

LEFOO



Dimension in: mm

This product is specially designed for water purifier, which can replace traditional high-low pressure switch. It is more sensitive action and used for wider range of applications.

Specification

Item	LF08E
Pressure range	0.05~0.35MPa
Performance	One pressure setting/ Two pressure setting
Proof pressure	1.2MPa
Burst pressure	3.2MPa
Terminal	6.3mm or 4.8
Temperature range	-20°C~120°C
Circuitry	SPST(NC or NO)
Electric rating	250VAC 3A
Media	Air , Water