

LEFOO 力夫



LEFOO 力夫

杭州力夫机电制造有限公司

LEFOO INDUSTRIAL CO.,LTD

地址：浙江省杭州市余杭区临平街道昌达路118号

Add: No.118,Changda Road,Linping street,Yuhang District, Hangzhou,Zhejiang 311100.China

电话(TEL):+86-571-89363666 89360266 89360277

传真: +86-0571-89363678 E-mail: export14@lefoo.com

(2019版)

PUMPS

关于力夫

About LEFOO

杭州力夫机电制造有限公司自创立以来一直致力于隔膜增压泵、压力传感与控制产品、压缩空气净化设备的研发与制造。力夫产品和技术广泛应用于净水、家庭舒适系统、食品、医药、生物、纺织、汽车制造等行业。

公司拥有专业的技术团队和设备精良的研发中心，除了种类齐全的标准产品，公司还能提供满足客户特殊需求的解决方案。

力夫产品覆盖北美、南美、欧洲、亚洲、澳大利亚等全球各地区市场，拥有权威的TUV、ISO9001:2008认证以及大量其他专业产品认证，证明力夫是一家合格的国际制造商，能满足最多样和最苛刻的技术要求。

Since establishment, LEFOO has been committed to develop and manufacture diaphragm booster pumps, pressure sensor & controls, compressed air purification equipments. Our products and technology are widely used in many different fields like water purification, comfort systems of household, food service industry, pharmaceuticals industry, biotechnology, textile industry, industrial automation, automobile manufacturing industry, etc.

In addition to a comprehensive range of standard products, LEFOO has professional technological team and well equipped R&D center, so we're able to provide solution to meet specific requirements from customers.

The successful and lasting presence in North America, Europe, Asia, Australia, and South America etc, together with the prestigious TUV, ISO 9001:2008 and many other specific product approvals prove LEFOO to be a qualified international manufacturer able to suit the most various and demanding technological requirements.

产品系列/PRODUCT LINE



■ 50G 迷你泵系列

■ 50G mini diaphragm booster pump series



■ 50G-400G 微型增压泵系列

■ 50G-400G small size diaphragm booster pump series



■ 50G-100G 微型自吸增压泵系列

■ 50G-100G small size self-priming diaphragm booster pump series



■ 50G-100G 常规增压泵系列

■ 50G-100G normal size diaphragm booster pump series



■ 50G-300G 自吸增压泵系列

■ 50G-300G self-priming diaphragm booster pump series



■ 50G-400G 稳压增压泵系列

■ 50G-400G stabilized diaphragm booster pump series



■ 50G-300G 纳滤增压泵系列

■ 50G-300G nano filtration diaphragm booster pump series



■ 500G-800G 大流量增压泵系列

■ 500G-800G large flow booster pump series



■ 50G-800G 防水增压泵系列

■ 50G-800G waterproof booster pump series



■ 50G-400G 交流增压泵系列

■ 50G-400G AC booster pump series



■ LFP1050M迷你泵系列

LFP1050M MINI DIAPHRAGM BOOSTER PUMP SERIES



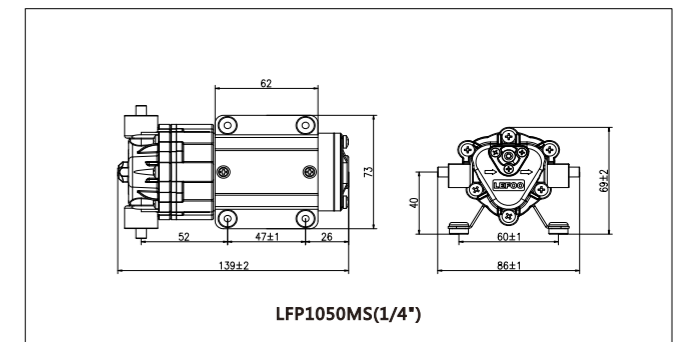
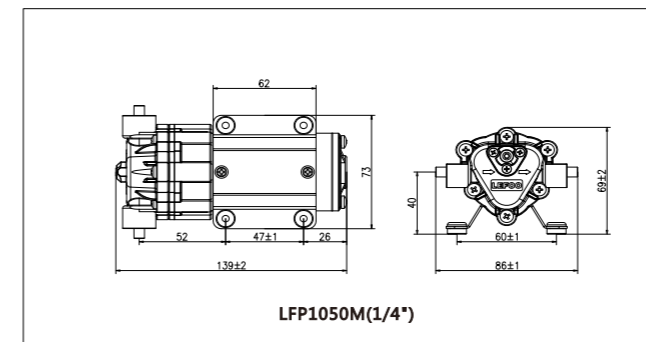
产品特点/PRODUCT FEATURES

- 符合ROHS、CE、CQC认证；
- Compliant with ROHS & CE & CQC certification
- 涉水部件均符合食品级要求；
- The wet parts complies with food grade requirements
- 承压部件采用高强度塑料与金属材质；
- High strength plastic and metal pressure components
- 密封部件采用进口材质；
- The materials of sealing parts are all imported
- 低噪音、低振动、强动力直流电机配置；
- Equipped with strong impetus DC motor with low noise, low vibration
- 电气、密封、增压等性能生产流程全检控制。
- Whole process quality control in electrical,sealing and water producing

产品参数/PRODUCT PARAMETERS

型号 Model	LFP1050M	LFP1050MS
额定电压 Nominal voltage	24VDC	24VDC
接口方式 Interface way	1/4"	1/4"
进水压力 Inlet pressure	0.2MPa	0MPa
工作压力 Working pressure	0.5MPa	0.5MPa
工作电流 Working current	≤0.8A	≤1.0A
工作流量 Working flow	≥500mL/min	≥600mL/min
开放流量 Open flow	≥1600mL/min	≥1100mL/min
封堵压力 Bypass pressure	0.8-1.0MPa	0.8-1.0MPa
最大电流 Maximum current	1.2A	1.5A
自吸高度 Self-priming height	> 1m	> 2m

安装尺寸/MOUNTING DIMENSIONS (mm)



LFP1000J微型隔膜增压泵系列

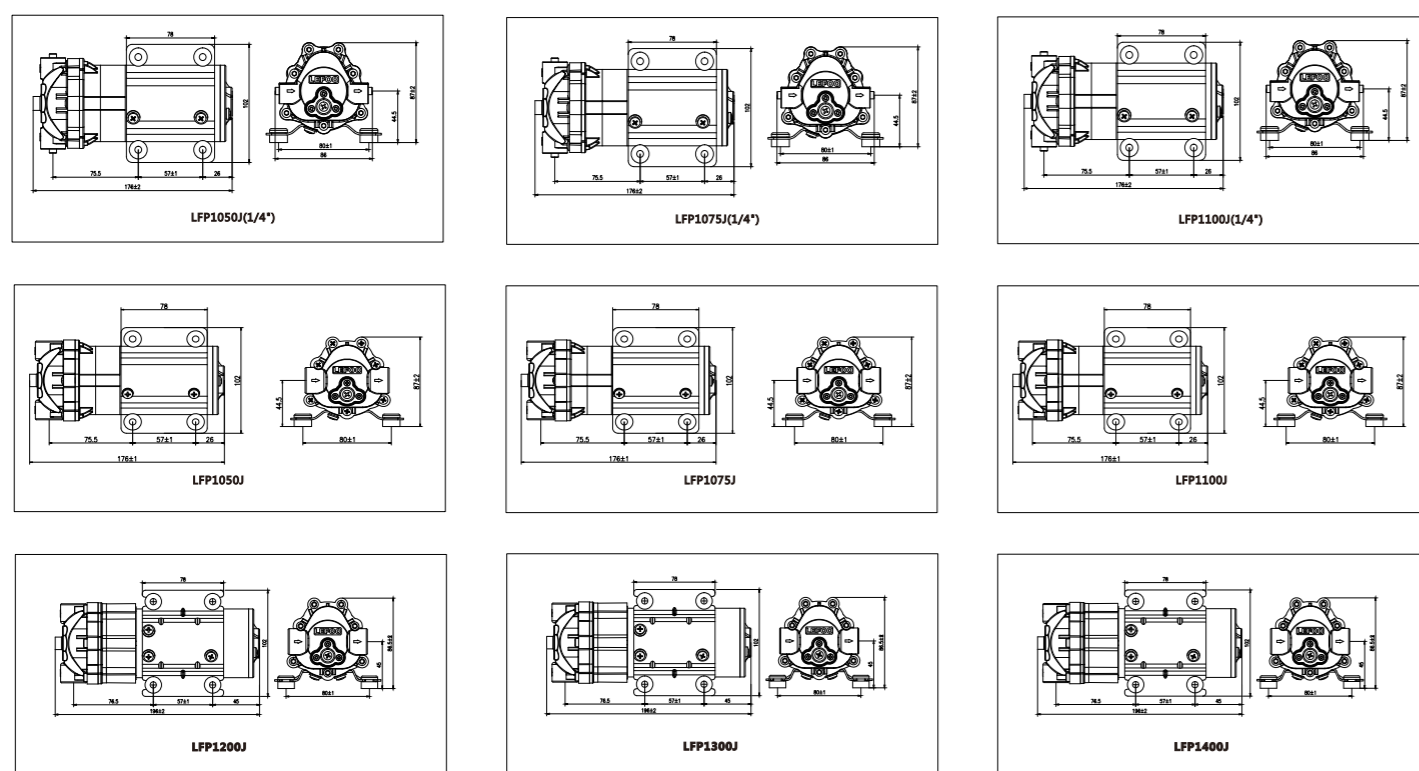
LFP1000J SMALL SIZE DIAPHRAGM BOOSTER PUMP SERIES

产品特点/PRODUCT FEATURES

- 符合ROHS、CE、CQC认证；
- Compliant with ROHS & CE & CQC certification
- 涉水部件均符合食品级要求；
- The wet parts complies with food grade requirements
- 承压部件采用高强度塑料与金属材质；
- High strength plastic and metal pressure components
- 密封部件采用进口材质；
- The materials of sealing parts are all imported
- 低噪音、低振动、强动力直流电机配置；
- Equipped with strong impetus DC motor with low noise, low vibration
- 电气、密封、增压等性能生产流程全检控制。
- Whole process quality control in electrical, sealing and water producing
- 体积是老结构产品的2/3，适用于台式、壁挂式RO机。
- The dimension is two-third of the old product. Suitable to desktop and wall mounting type RO machine



安装尺寸/MOUNTING DIMENSIONS (mm)



产品参数/PRODUCT PARAMETERS

型号 Model	LFP1050J	LFP1075J	LFP1100J
额定电压 Nominal voltage	24VDC	24VDC	24VDC
接口方式 Interface way	3/8"NPT、1/4"	3/8"NPT、1/4"	3/8"NPT、1/4"
进水压力 Inlet pressure	0.2MPa	0.2MPa	0.2MPa
工作压力 Working pressure	0.5MPa	0.5MPa	0.5MPa
工作电流 Working current	≤0.7A	≤0.9A	≤1.2A
工作流量 Working flow	≥600mL/min	≥750mL/min	≥980mL/min
开放流量 Open flow	≥1600mL/min	≥1800mL/min	≥2200mL/min
封堵压力 Bypass pressure	0.8-1.0MPa	0.8-1.0MPa	0.8-1.0MPa
最大电流 Maximum current	1.0A	1.2A	1.4A

型号 Model	LFP1200J	LFP1300J	LFP1400J
额定电压 Nominal voltage	24VDC	24VDC	24VDC
接口方式 Interface way	3/8"NPT	3/8"NPT	3/8"NPT
进水压力 Inlet pressure	0.2MPa	0.2MPa	0.2MPa
工作压力 Working pressure	0.5MPa	0.5MPa	0.5MPa
工作电流 Working current	≤1.9A	≤2.4A	≤3.0A
工作流量 Working flow	≥1900mL/min	≥2700mL/min	≥2950mL/min
开放流量 Open flow	≥2500mL/min	≥3500mL/min	≥4000mL/min
封堵压力 Bypass pressure	0.85-1.0MPa	0.85-1.0MPa	0.85-1.0MPa
最大电流 Maximum current	2.5A	3.2A	4.0A

■ LFP1000JS微型自吸隔膜增压泵系列

LFP1000JS SMALL SIZE SELF-PRIMING DIAPHRAGM BOOSTER PUMP SERIES



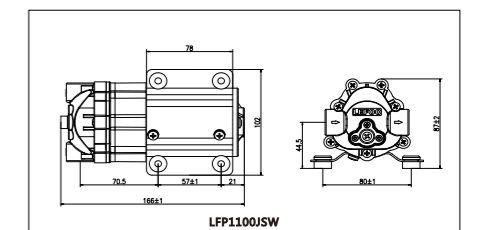
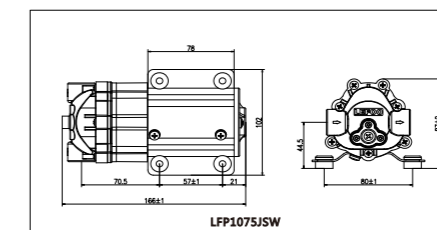
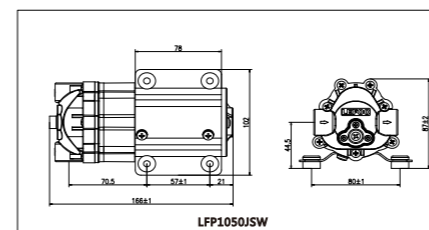
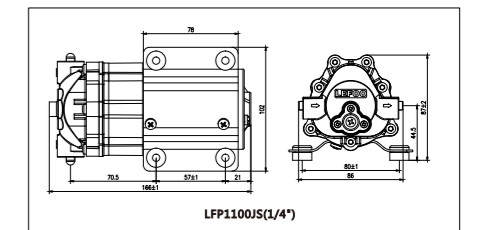
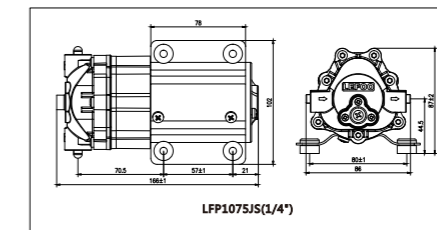
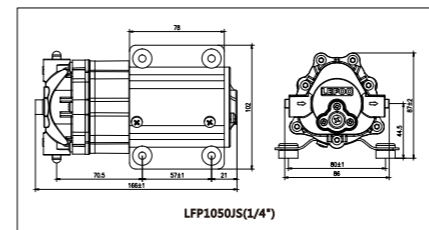
产品特点/PRODUCT FEATURES

- 符合ROHS、CE、CQC认证；
- Compliant with ROHS & CE & CQC certification
- 涉水部件均符合食品级要求；
- The wet parts complies with food grade requirements
- 承压部件采用高强度塑料与金属材料；
- High strength plastic and metal pressure components
- 密封部件采用进口材质；
- The materials of sealing parts are all imported
- 低噪音、低振动、强动力直流电机配置；
- Equipped with strong impetus DC motor with low noise, low vibration
- 电气、密封、增压等性能生产流程全检控制。
- Whole process quality control in electrical, sealing and water producing
- 自吸性能达2米以上。
- The Self-priming performance of more than 2 m

产品参数/PRODUCT PARAMETERS

型号 Model	LFP1050JS	LFP1075JS	LFP1100JS
额定电压 Nominal voltage	24VDC	24VDC	24VDC
接口方式 Interface way	3/8"NPT、1/4"	3/8"NPT、1/4"	3/8"NPT、1/4"
进水压力 Inlet pressure	0MPa	0MPa	0MPa
工作压力 Working pressure	0.5MPa	0.5MPa	0.5MPa
工作电流 Working current	≤1.2A	≤1.3A	≤1.6A
工作流量 Working flow	≥650mL/min	≥850mL/min	≥1050mL/min
开放流量 Open flow	≥1100mL/min	≥1300mL/min	≥1400mL/min
封堵压力 Bypass pressure	0.8-1.0MPa	0.8-1.0MPa	0.8-1.0MPa
最大电流 Maximum current	1.55A	1.8A	2.1A
自吸高度 Self-priming height	>2m	>2m	>2m

安装尺寸/MOUNTING DIMENSIONS (mm)



■ LFP1000常规隔膜增压泵系列

LFP1000 NORMAL SIZE DIAPHRAGM BOOSTER PUMP SERIES



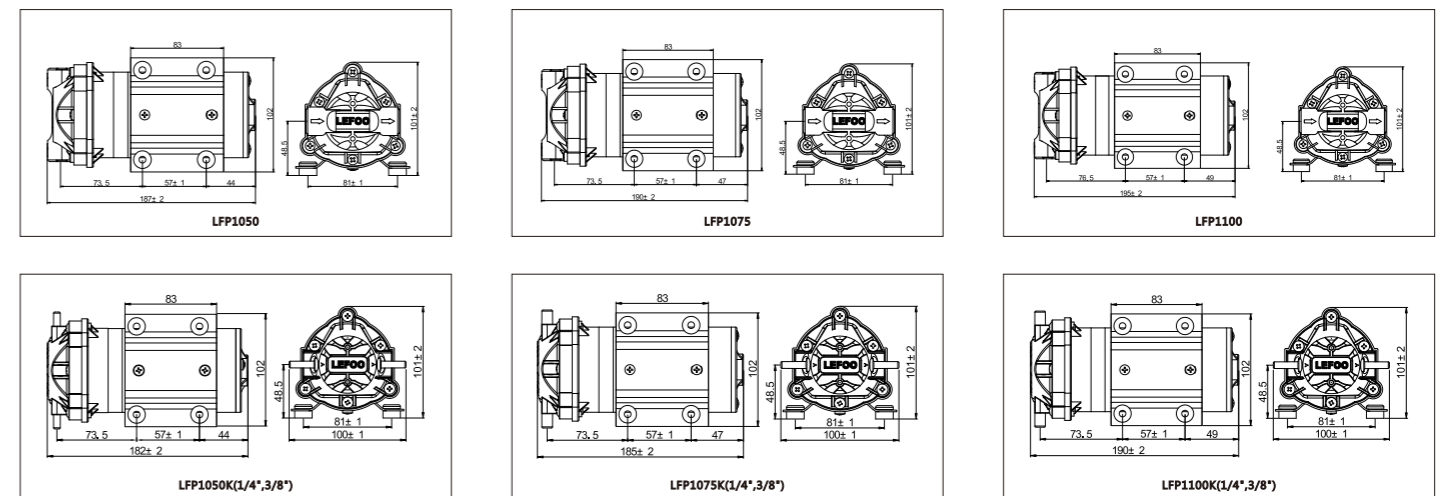
产品特点/PRODUCT FEATURES

- 符合ROHS、CE、CQC认证；
- Compliant with ROHS & CE & CQC certification
- 涉水部件均符合食品级要求；
- The wet parts complies with food grade requirements
- 承压部件采用高强度塑料与金属材质；
- High strength plastic and metal pressure components
- 密封部件采用进口材质；
- The materials of sealing parts are all imported
- 低噪音、低振动、强动力直流电机配置；
- Equipped with strong impetus DC motor with low noise, low vibration
- 电气、密封、增压等性能生产流程全检控制。
- Whole process quality control in electrical ,sealing and water producing
- 多种进出水口选择或者根据客户需要定制，可匹配多种电压。
- Multiple water outlets or customized made with adaption of different voltage

产品参数/PRODUCT PARAMETERS

型号 Model	LFP1050	LFP1075	LFP1100
额定电压 Nominal voltage	24VDC	24VDC	24VDC
接口方式 Interface way	3/8"NPT、1/4"、3/8"	3/8"NPT、1/4"、3/8"	3/8"NPT、1/4"、3/8"
进水压力 Inlet pressure	0.2MPa	0.2MPa	0.2MPa
工作压力 Working pressure	0.5MPa	0.5MPa	0.5MPa
工作电流 Working current	≤0.7A	≤0.9A	≤1.2A
工作流量 Working flow	≥600mL/min	≥750mL/min	≥980mL/min
开放流量 Open flow	≥1600mL/min	≥1800mL/min	≥2200mL/min
封堵压力 Bypass pressure	0.8-1.0MPa	0.8-1.0MPa	0.8-1.0MPa
最大电流 Maximum current	1.0A	1.2A	1.4A

安装尺寸/MOUNTING DIMENSIONS (mm)



LFP1000S自吸隔膜增压泵系列

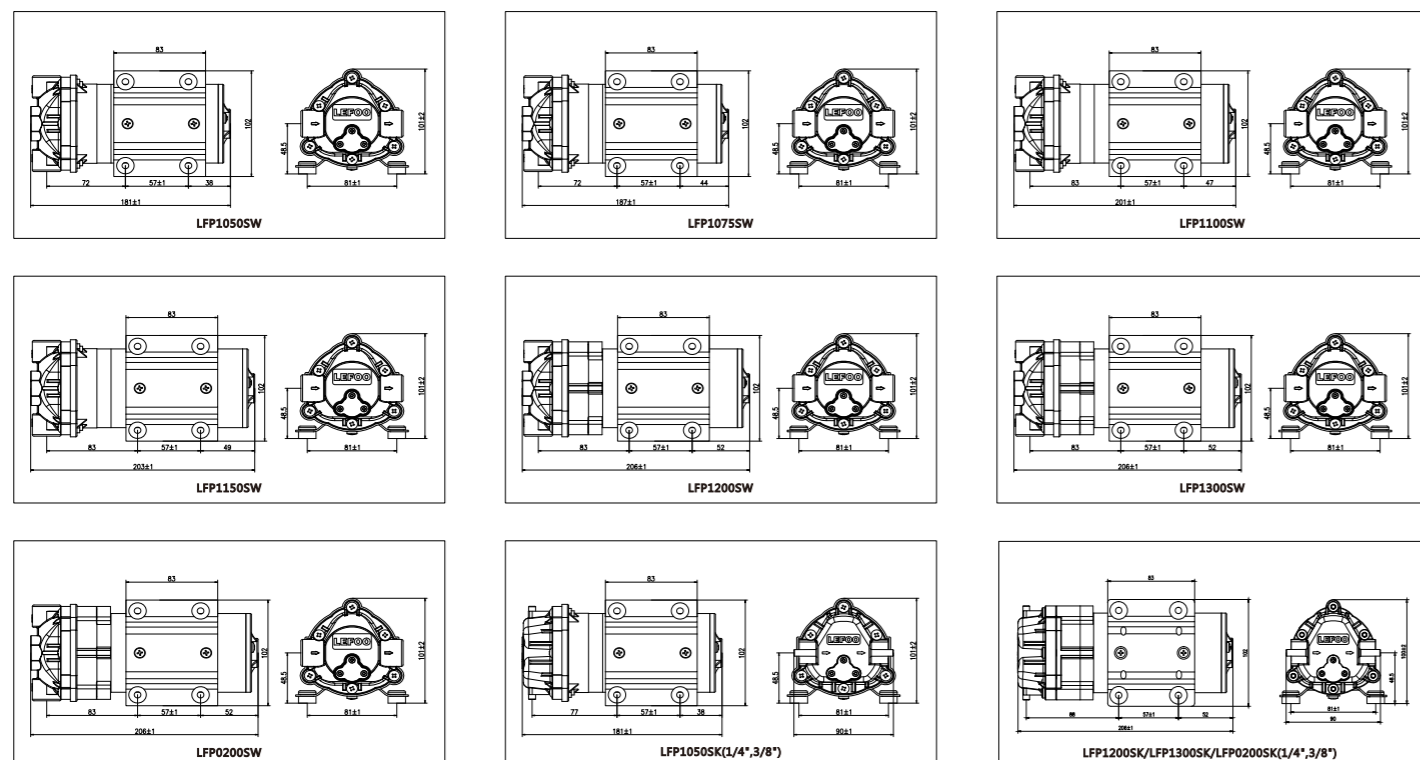
LFP1000S SELF-PRIMING DIAPHRAGM BOOSTER PUMP SERIES

产品特点/PRODUCT FEATURES

- 符合ROHS、CE、CQC认证；
- Compliant with ROHS & CE & CQC certification
- 涉水部件均符合食品级要求；
- The wet parts complies with food grade requirements
- 承压部件采用高强度塑料与金属材料；
- High strength plastic and metal pressure components
- 密封部件采用进口材质；
- The materials of sealing parts are all imported
- 低噪音、低振动、强动力直流电机配置；
- Equipped with strong impetus DC motor with low noise, low vibration
- 电气、密封、增压等性能生产流程全检控制。
- Whole process quality control in electrical, sealing and water producing
- 自吸性能达3米以上。
- The Self-priming performance of more than 3 m



安装尺寸/MOUNTING DIMENSIONS(mm)



产品参数/PRODUCT PARAMETERS

型号 Model	LFP1050S	LFP1075S	LFP1100S	LFP1150S
额定电压 Nominal voltage	24VDC	24VDC	24VDC	24VDC
接口方式 Interface way	3/8"NPT、1/4"、3/8"	3/8"NPT、1/4"、3/8"	3/8"NPT、1/4"、3/8"	3/8"NPT、1/4"、3/8"
进水压力 Inlet pressure	0MPa	0MPa	0MPa	0MPa
工作压力 Working pressure	0.5MPa	0.5MPa	0.5MPa	0.5MPa
工作电流 Working current	≤1.2A	≤1.3A	≤1.6A	≤2.1A
工作流量 Working flow	≥650mL/min	≥850mL/min	≥1050mL/min	≥1450mL/min
开放流量 Open flow	≥1100mL/min	≥1300mL/min	≥1400mL/min	≥1800mL/min
封堵压力 Bypass pressure	0.8-1.0MPa	0.8-1.0MPa	0.8-1.0MPa	0.8-1.0MPa
最大电流 Maximum current	1.55A	1.8A	2.1A	2.8A
自吸高度 Self-priming height	>3m	>3m	>3m	>3m

型号 Model	LFP1200S	LFP1300S	LFP200S
额定电压 Nominal voltage	24VDC	24VDC	12VDC
接口方式 Interface way	3/8"NPT、1/4"、3/8"	3/8"NPT、1/4"、3/8"	3/8"NPT、1/4"、3/8"
进水压力 Inlet pressure	0MPa	0MPa	0MPa
工作压力 Working pressure	0.5MPa	0.5MPa	0.5MPa
工作电流 Working current	≤2.5A	≤3.5A	≤5.0A
工作流量 Working flow	≥1800mL/min	≥2600mL/min	≥1800mL/min
开放流量 Open flow	≥2400mL/min	≥3200mL/min	≥2400mL/min
封堵压力 Bypass pressure	0.8-1.0MPa	0.8-1.0MPa	0.8-1.0MPa
最大电流 Maximum current	3.3A	4.5A	6.5A
自吸高度 Self-priming height	>3m	>3m	>3m

LFP1000W稳压隔膜增压泵系列

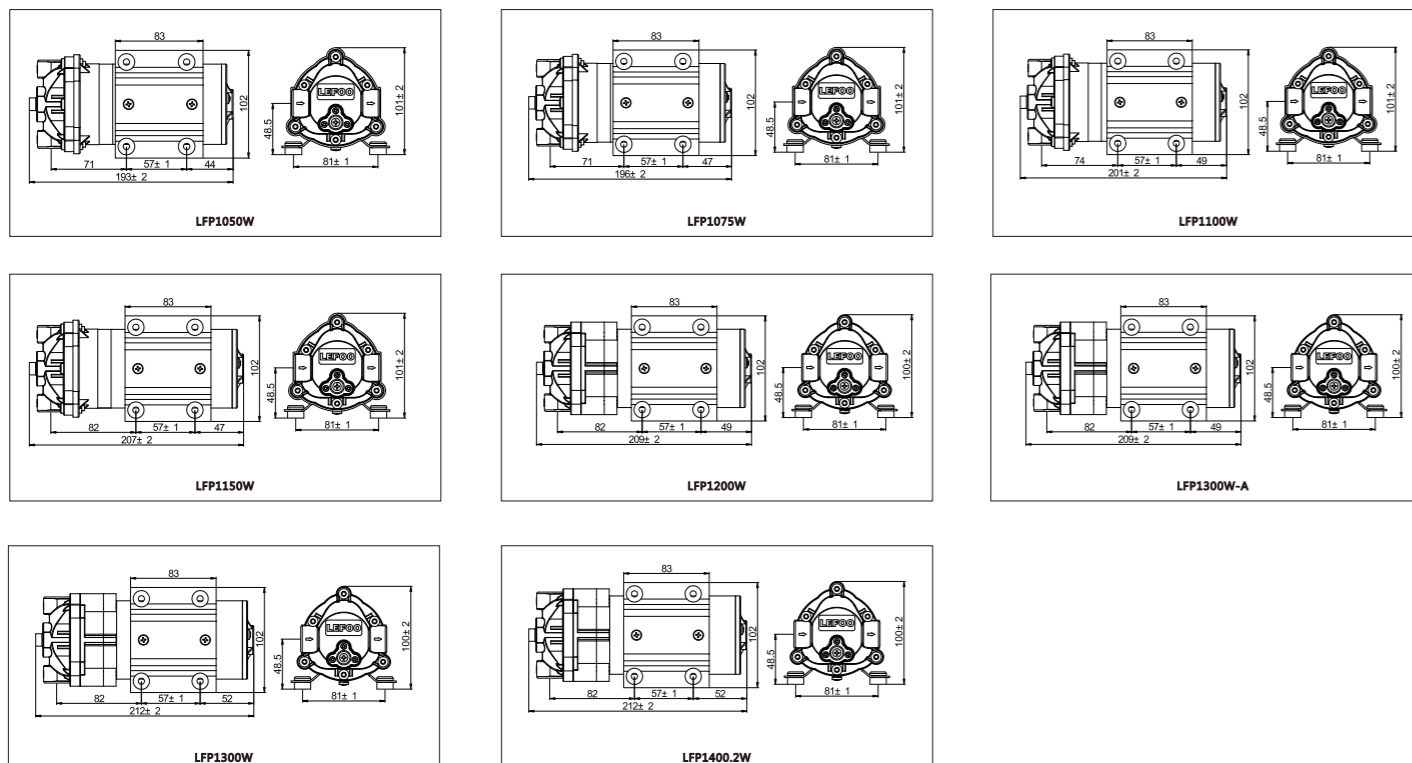
LFP1000W STABILIZED DIAPHRAGM BOOSTER PUMP SERIES

产品特点/PRODUCT FEATURES

- 符合ROHS、CE、CQC认证；
- Compliant with ROHS & CE & CQC certification
- 涉水部件均符合食品级要求；
- The wet parts complies with food grade requirements
- 承压部件采用高强度塑料与金属材料；
- High strength plastic and metal pressure components
- 密封部件采用进口材质；
- The materials of sealing parts are all imported
- 低噪音、低振动、强动力直流电机配置；
- Equipped with strong impetus DC motor with low noise, low vibration
- 电气、密封、增压等性能生产流程全检控制。
- Whole process quality control in electrical, sealing and water producing
- 进水压力30~115psi波动时,出水压力波动值小于30psi,最大压力仍稳定在145psi以内。
- When inlet water pressure fluctuates from 30psi to 115psi, this series can stabilize outlet water pressure less than 30psi, maximum pressure within 145psi.



安装尺寸/MOUNTING DIMENSIONS(mm)



产品参数/PRODUCT PARAMETERS

型号 Model	LFP1050W	LFP1075W	LFP1100W	LFP1150W
额定电压 Nominal voltage	24VDC	24VDC	24VDC	24VDC
接口方式 Interface way	3/8"NPT	3/8"NPT	3/8"NPT	3/8"NPT
进水压力 Inlet pressure	0.2MPa	0.2MPa	0.2MPa	0.2MPa
工作压力 Working pressure	0.5MPa	0.5MPa	0.5MPa	0.5MPa
工作电流 Working current	≤0.7A	≤0.9A	≤1.2A	≤1.5A
工作流量 Working flow	≥600mL/min	≥750mL/min	≥980mL/min	≥1500mL/min
开放流量 Open flow	≥1600mL/min	≥1800mL/min	≥2000mL/min	≥2200mL/min
封堵压力 Bypass pressure	0.85-1.0MPa	0.85-1.0MPa	0.85-1.0MPa	0.85-1.0MPa
最大电流 Maximum current	1.0A	1.2A	1.4A	2.0A

型号 Model	LFP1200W	LEP1300W-A	LFP1300W	LFP1400.2W
额定电压 Nominal voltage	24VDC	24VDC	24VDC	24VDC
接口方式 Interface way	3/8"NPT	3/8"NPT	3/8"NPT	3/8"NPT
进水压力 Inlet pressure	0.2MPa	0.2MPa	0.2MPa	0.2MPa
工作压力 Working pressure	0.5MPa	0.5MPa	0.5MPa	0.5MPa
工作电流 Working current	≤1.9A	≤2.1A	≤2.4A	≤3.0A
工作流量 Working flow	≥1900mL/min	≥2200ml/min	≥2700mL/min	≥2950mL/min
开放流量 Open flow	≥2500mL/min	≥3000ml/min	≥3500mL/min	≥4000mL/min
封堵压力 Bypass pressure	0.85-1.0MPa	0.85-1.0MPa	0.85-1.0MPa	0.85-1.0MPa
最大电流 Maximum current	2.5A	2.8A	3.2A	4.0A

■ LFP1000N纳滤隔膜增压泵系列

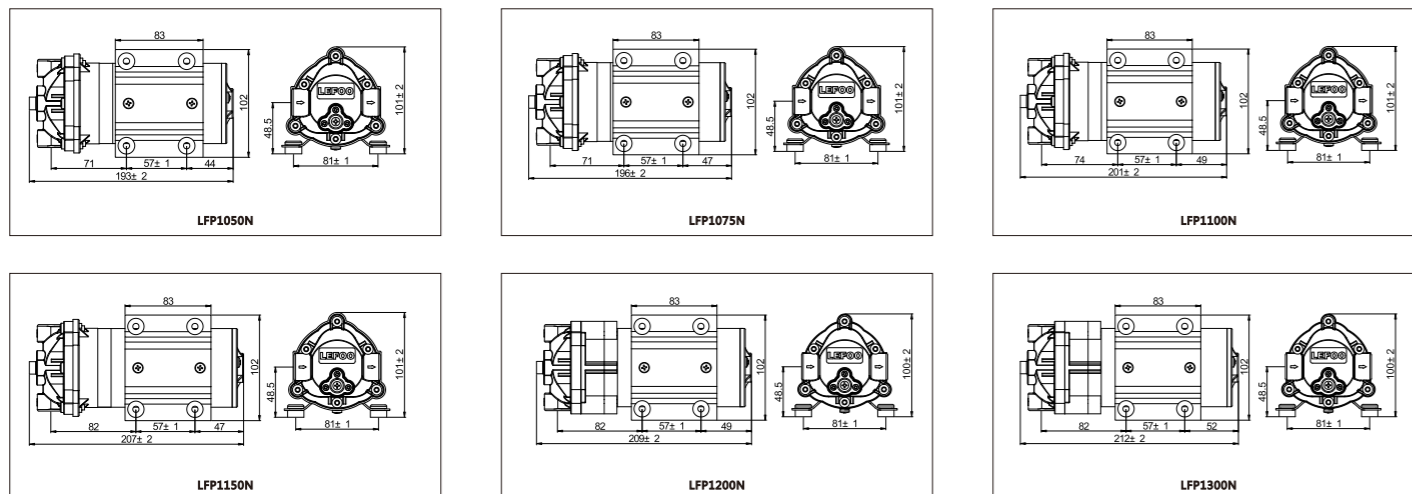
LFP1000N NANO FILTRATION DIAPHRAGM BOOSTER PUMP SERIES



产品特点/PRODUCT FEATURES

- 符合ROHS、CE、CQC认证；
- Compliant with ROHS & CE & CQC certification
- 涉水部件均符合食品级要求；
- The wet parts complies with food grade requirements
- 承压部件采用高强度塑料与金属材料；
- High strength plastic and metal pressure components
- 密封部件采用进口材质；
- The materials of sealing parts are all imported
- 低噪音、低振动、强动力直流电机配置；
- Equipped with strong impetus DC motor with low noise, low vibration
- 电气、密封、增压等性能生产流程全检控制；
- Whole process quality control in electrical, sealing and water producing
- 超低压工作，集稳压与自吸功能于一体。
- Operating under super low pressure, integrated with pressuer stabilization and self-priming function

安装尺寸/MOUNTING DIMENSIONS(mm)



产品参数/PRODUCT PARAMETERS

型号 Model	LFP1050N	LFP1075N	LFP1100N
额定电压 Nominal voltage	24VDC	24VDC	24VDC
接口方式 Interface way	3/8"NPT	3/8"NPT	3/8"NPT
进水压力 Inlet pressure	0MPa	0MPa	0MPa
工作压力 Working pressure	0.35MPa	0.35MPa	0.35MPa
工作电流 Working current	≤0.7A	≤0.9A	≤0.95A
工作流量 Working flow	≥600mL/min	≥750mL/min	≥980mL/min
开放流量 Open flow	≥1000mL/min	≥1150mL/min	≥1300mL/min
封堵压力 Bypass pressure	0.5-0.55MPa	0.5-0.55MPa	0.5-0.55MPa
最大电流 Maximum current	0.96A	1.0A	1.25A

型号 Model	LFP1150N	LFP1200N	LFP1300N
额定电压 Nominal voltage	24VDC	24VDC	24VDC
接口方式 Interface way	3/8"NPT	3/8"NPT	3/8"NPT
进水压力 Inlet pressure	0MPa	0MPa	0MPa
工作压力 Working pressure	0.35MPa	0.35MPa	0.35MPa
工作电流 Working current	≤1.2A	≤1.5A	≤2.0A
工作流量 Working flow	≥1450mL/min	≥1700mL/min	≥2600mL/min
开放流量 Open flow	≥1650mL/min	≥2000mL/min	≥3000mL/min
封堵压力 Bypass pressure	0.5-0.55MPa	0.5-0.55MPa	0.5-0.55MPa
最大电流 Maximum current	1.5A	2.0A	2.5A

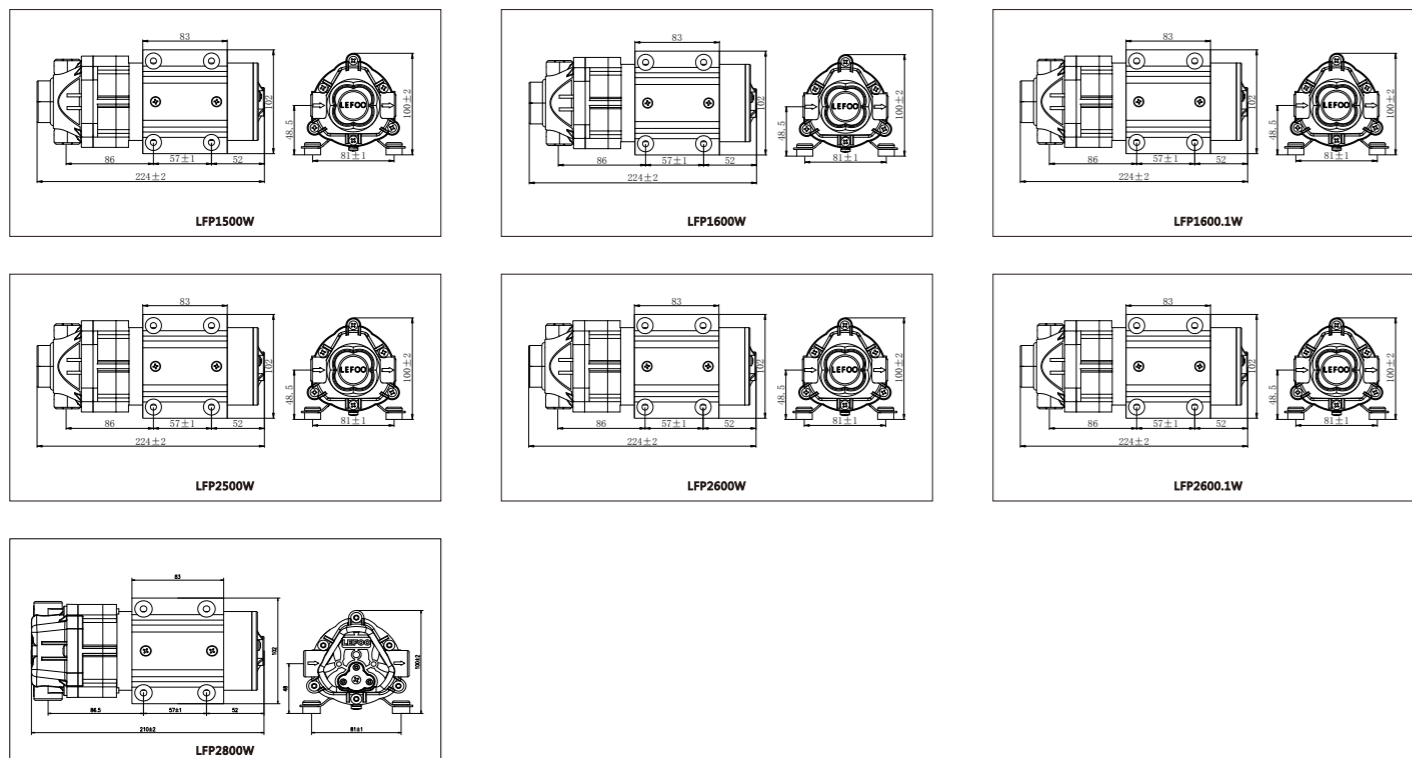
■ LFP1000/2000W大流量隔膜增压泵系列

LFP2000W LARGE FLOW BOOSTER PUMP SERIES

产品特点/PRODUCT FEATURES

- 符合ROHS、CE、CQC认证；
- Compliant with ROHS & CE & CQC certification
- 涉水部件均符合食品级要求；
- The wet parts complies with food grade requirements
- 承压部件采用高强度塑料与金属材料；
- High strength plastic and metal pressure components
- 密封部件采用进口材质；
- The materials of sealing parts are all imported
- 低噪音、低振动、强动力直流电机配置；
- Equipped with strong impetus DC motor with low noise, low vibration
- 电气、密封、增压等性能生产流程全检控制；
- Whole process quality control in electrical ,sealing and water producing
- 进水压力30~115psi波动时,出水压力波动值小于30psi,最大压力仍稳定在145psi以内；
- When inlet water pressure fluctuates from 30psi to 115psi, this series can stabilize outlet water pressure less than 30psi, maximum pressure within 145psi.
- 适用于大流量商务纯水机。
- High flow commercial water purifier

安装尺寸/MOUNTING DIMENSIONS(mm)



产品参数/PRODUCT PARAMETERS

型号 Model	LFP1500W	LFP1600W	LFP1600.1W	LFP2500W
额定电压 Nominal voltage	24VDC	24VDC	24VDC	36VDC
接口方式 Interface way	3/8"NPT	3/8"NPT	3/8"NPT	3/8"NPT
进水压力 Inlet pressure	0.2MPa	0.2MPa	0.2MPa	0.2MPa
工作压力 Working pressure	0.5MPa	0.5MPa	0.5MPa	0.5MPa
工作电流 Working current	≤3.2A	≤3.5A	≤4A	≤1.6A
工作流量 Working flow	≥3250mL/min	≥3600mL/min	≥4000mL/min	≥3250mL/min
开放流量 Open flow	≥5000mL/min	≥6000mL/min	≥6000mL/min	≥5000mL/min
封堵压力 Bypass pressure	0.85-1.05MPa	0.85-1.05MPa	0.85-1.05MPa	0.85-1.05MPa
最大电流 Maximum current	4.2A	4.5A	5.0A	2.5A

型号 Model	LFP2600W	LFP2600.1W	LFP2800W
额定电压 Nominal voltage	36VDC	36VDC	36VDC
接口方式 Interface way	3/8"NPT	3/8"NPT	3/8"NPT
进水压力 Inlet pressure	0.2MPa	0.2MPa	0.2MPa
工作压力 Working pressure	0.5MPa	0.5MPa	0.5MPa
工作电流 Working current	≤1.9A	≤2.2A	≤3.0A
工作流量 Working flow	≥3600mL/min	≥4000mL/min	≥5000mL/min
开放流量 Open flow	≥6000mL/min	≥6000mL/min	≥6500mL/min
封堵压力 Bypass pressure	0.85-1.05MPa	0.85-1.05MPa	0.85-1.2MPa
最大电流 Maximum current	2.8A	3.2A	4.0A

■ LFP-P防水隔膜增压泵系列

LFP-P WATERPROOF BOOSTER PUMP SERIES



产品特点/PRODUCT FEATURES

- 全系列产品均可定制达到IPX5防水等级
- Customizable for IPX5 waterproof grade
- 符合ROHS、CE、CQC认证；
- Compliant with ROHS & CE & CQC certification
- 涉水部件均符合食品级要求；
- The wet parts complies with food grade requirements
- 承压部件采用高强度塑料与金属材料；
- High strength plastic and metal pressure components
- 密封部件采用进口材质；
- The materials of sealing parts are all imported
- 低噪音、低振动、强动力直流电机配置；
- Equipped with strong impetus DC motor with low noise, low vibration
- 电气、密封、增压等性能生产流程全检控制；
- Whole process quality control in electrical, sealing and water producing
- 其它的技术参数和产品特性请参考相对应产品
- Refer to corresponding products for other technical parameters and features

产品参数/PRODUCT PARAMETERS

型号 Model	LFP1000P系列	LFP1000SP系列	LFP1000WP系列
额定电压 Nominal voltage	24VDC	24VDC	24VDC
接口方式 Interface way	3/8"NPT、1/4"、3/8"	3/8"NPT、1/4"、3/8"	3/8"NPT、1/4"、3/8"
进水压力 Inlet pressure	0.2MPa	0MPa	0.2MPa
工作压力 Working pressure	0.5MPa	0.5MPa	0.5MPa
工作电流 Working current	0.7-1.2A	1.2-3.5A	0.7-3.5A
工作流量 Working flow	600-980mL/min	650-2600mL/min	600-4000mL/min
开放流量 Open flow	1600-2200mL/min	1100-3200mL/min	1600-6000mL/min
封堵压力 Bypass pressure	0.8-1.0MPa	0.8-1.0MPa	0.85-1.05MPa
最大电流 Maximum current	1.0-1.4A	1.55-4.5A	1.0-5.0A

型号 Model	LFP2000WP系列	LFP1000NP系列
额定电压 Nominal voltage	36VDC	24VDC
接口方式 Interface way	3/8"NPT	3/8"NPT
进水压力 Inlet pressure	0.2MPa	0MPa
工作压力 Working pressure	0.5MPa	0.35MPa
工作电流 Working current	1.6-3.0A	0.7-2.0A
工作流量 Working flow	3250-5000mL/min	600-2600mL/min
开放流量 Open flow	5000-6500mL/min	1000-3000mL/min
封堵压力 Bypass pressure	0.85-1.2MPa	0.5-0.55MPa
最大电流 Maximum current	2.5-4.0A	0.96-2.5A

■ LFP交流增压泵系列

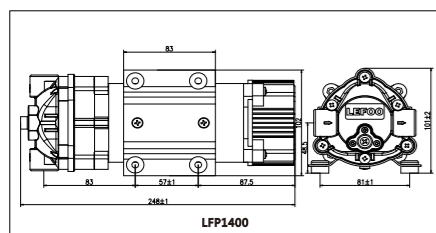
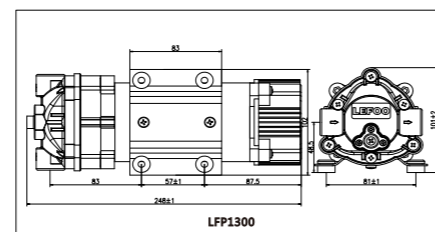
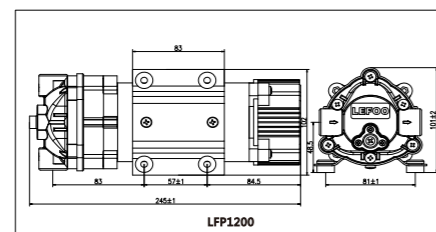
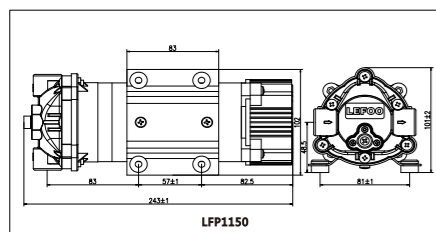
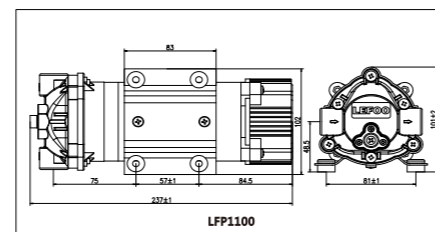
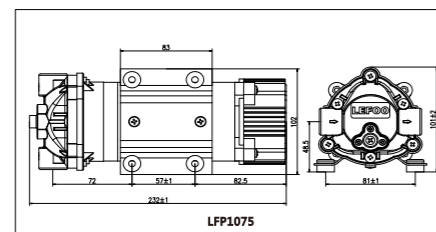
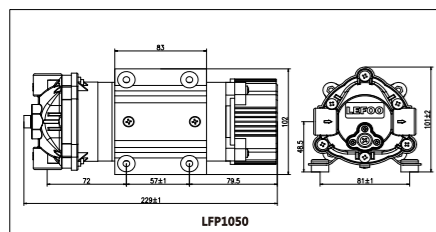
LFP AC BOOSTER PUMP SERIES

产品特点/PRODUCT FEATURES

- 符合ROHS和CE认证；
- Compliant with ROHS & CE certification
- 涉水部件均符合食品级要求；
- The wet parts complies with food grade requirements
- 承压部件采用高强度塑料与金属材质；
- High strength plastic and metal pressure components
- 密封部件采用进口材质；
- The materials of sealing parts are all imported
- 低噪音、低振动、强动力电机配置；
- Equipped with strong impetus motor with low noise, low vibration
- 电气、密封、增压等性能生产流程全检控制；
- Whole process quality control in electrical ,sealing and water producing



安装尺寸/MOUNTING DIMENSIONS(mm)



产品参数/PRODUCT PARAMETERS

型号 Model	LFP1050	LFP1075	LFP1100	LFP1150
额定电压 Nominal voltage	220VAC	220VAC	220VAC	220VAC
接口方式 Interface way	3/8"NPT	3/8"NPT	3/8"NPT	3/8"NPT
进水压力 Inlet pressure	0.2MPa	0.2MPa	0.2MPa	0.2MPa
工作压力 Working pressure	0.5MPa	0.5MPa	0.5MPa	0.5MPa
工作流量 Working flow	≥600mL/min	≥750mL/min	≥980mL/min	≥1500mL/min
开放流量 Open flow	≥1600mL/min	≥1800mL/min	≥2000mL/min	≥2200mL/min
封堵压力 Bypass pressure	0.85-1.0MPa	0.85-1.0MPa	0.85-1.0MPa	0.85-1.0MPa

型号 Model	LFP1200	LFP1300	LFP1400
额定电压 Nominal voltage	220VAC	220VAC	220VAC
接口方式 Interface way	3/8"NPT	3/8"NPT	3/8"NPT
进水压力 Inlet pressure	0.2MPa	0.2MPa	0.2MPa
工作压力 Working pressure	0.5MPa	0.5MPa	0.5MPa
工作流量 Working flow	≥1900mL/min	≥2700mL/min	≥2950mL/min
开放流量 Open flow	≥2500mL/min	≥3500mL/min	≥4000mL/min
封堵压力 Bypass pressure	0.85-1.0MPa	0.85-1.0MPa	0.85-1.0MPa