

# **LEFOO**

## **LEFOO Controls Co.,Ltd**

Office: No. 220, Weishiwu Road, Economic Development Zone,  
Yueqing Zhejiang, CHINA P.C.: 325600

Tel: +86-577-27822222

Fax: +86-577-27825222

Factory: No.118, Changda Road, Economic Development Zone,  
Yuhang District, Hangzhou, Zhejiang, CHINA P.C.: 311100

Tel: +86-571-89360266

Fax: +86-571-89363678

Http: //www.lefoo.com

E-mail: info@lefoo.com

Ver: 2018.09

# LEFOO

# PRESSURE CONTROL

---



LEFOO develops and manufactures reliable, high quality standard Pressure Control Devices offering innovative solutions and components able to outfit at best machines and production systems and give a single answer to any requirements in pressure control systems.

In pneumatics, HVAC, food & beverage processing, packaging systems, hydraulics, house hold appliance, industrial automation, LEFOO can always provide clients with accurate and dependable pressure control devices.

Besides a comprehensive range of standard products, LEFOO can also offer specific custom solutions especially designed to meet particular actual requirements.

Huge investments in R&D not only assure versatile solutions and great flexibility to meet the present market demand but also guarantee cost-effective product features and performances.

The successful and lasting presence in North America, Europe, Asia, Australia and South America, also strengthened by the prestigious TUV ISO9001:2008 certification and by many other specific product approvals prove LEFOO to be a qualified international manufacturer able to suit the most various and demanding technological requirements.



## Pressure Switches

- 01 **LF08**  
Small multi-purpose pressure switch 0.2~45bar
- 02 **LF08A**  
High current pressure switch 0.2~45bar
- 03 **LF08E**  
Pressure switch for water purifier
- 04 **LF08V**  
Small vacuum pressure switch -0.5~-0.8bar
- 05 **LF10**  
Air compressor pressure switch 25~190psi
- 06 **LF10-L**  
Air compressor pressure switch 30~175psi
- 07 **LF12**  
Air Pressure Switches
- 08 **LF17**  
Air compressor pressure switch 15~500psi
- 09 **LF18**  
Air compressor and pump pressure switch 1.0~16.0bar
- 10 **LF19**  
Air compressor and pump pressure switch 2.5~12.5bar
- 11 **LF10-W**  
Pump pressure switch 15~150psi
- 12 **LF16**  
Pump pressure switch 20~100psi
- 13 **LF17-W**  
Pump pressure switch 14~250psi
- 14 **LFPC-1**  
Automatic water pump controller
- 15 **LF20**  
Extended duty pressure switch 0.5~150psi
- 16 **LF20-H**  
Ultra duty pressure switch 10~400psi
- 17 **LF20-V**  
Vacuum pressure switch 1.1~22 in/Hg
- 18 **LF25**  
Steam pressure switch 0.2~9.0bar

## Pressure Switches

- 19 **LF26**  
Steam pressure switch 0.2~10.0bar
- 20 **LF05**  
Miniature steam pressure switch 0.2~5bar
- 21 **LF30**  
Air differential pressure switch 0.4~8.0mbar
- 22 **LF31**  
Air differential pressure switch 0.15~34 in W.C.
- 23 **LF32**  
Air differential pressure switch 20~5000Pa
- 24 **LF35**  
Air differential pressure switch 0.3~30mbar
- 25 **LF37**  
Liquid level pressure switch 2~60 in W.C.
- 26 **LF40-01**  
Air actuated pressure switch 0.25~15psi
- 27 **LF42**  
Water dispensers high and low pressure switch H:1.5~2.5bar;L:0.1~0.2bar
- 28 **LF55**  
Pressure switch for refrigeration system -0.5~42bar
- 29 **LF58**  
Pressure switch for refrigeration system -0.2~32bar
- 30 **LF5D**  
Oil differential pressure switch for refrigeration system 0.5~6.0bar
- 31-32 **FS5 Series**  
Liquid flow switch
- 33 **FS211**  
Electronic flow switch
- 34 **FS213**  
Electronic flow switch
- 35 **FSW1**  
Float switch
- 36 **TS**  
Temperature controller
- 37 **TSD**  
Differential temperature controller

## Pressure Switches

- 38 **TSH**  
Dual temperature controller
- 39 **LFS-01**  
Miniature pressure & vacuum switch -800~-10mbar,10~600mbar
- 40 **LFS-02**  
Miniature pressure & vacuum switch -800~-5mbar,5~800mbar
- 41 **LFS-03**  
Miniature pressure & vacuum switch -800~-15mbar,15~2500mbar
- 42 **LFDS10 Series**  
Intelligent digital pressure switch -100~1000kPa
- 43 **LFDS63 Series**  
Intelligent digital display pressure switch V:-101~10kPa,0~20bar
- 44 **LFDS704**  
Electronic pressure switch -1~0bar
- 45 **LF701A**  
High pressure switch (diaphragm) 1~50 bar, M3 screw terminal
- 46 **LF701B**  
High pressure switch (diaphragm) 1~50 bar, 6.4 mm plug type connection
- 47 **LF702A**  
High pressure switch (piston) 50~200 bar, M3 screw terminal
- 48 **LF702B**  
High pressure switch (piston) 50~200 bar, 6.4 mm plug type connection
- 49 **LF703**  
High pressure switch (diaphragm) 1~50 bar, DIN 43650-A connection
- 50 **LF704**  
High pressure switch (piston) 50~200 bar, DIN 43650-A connection
- 51 **LF705**  
High pressure switch (diaphragm) 1~20 bar, 6.4 mm plug type connection
- 52 **LF705A**  
High pressure switch (diaphragm) 1~20 bar, M3 screw terminal
- 53 **LF706**  
High pressure switch (diaphragm) 1~20 bar, DIN 43650-A connection
- 54 **LF707**  
High pressure switch (diaphragm) 1~50 bar, 6.4 mm plug type connection
- 55 **LF708**  
High pressure switch (diaphragm) 1~20 bar, 6.4 mm plug type connection

## *Differential Pressure Transmitters*

- 56 **LFM108**  
Differential pressure transmitter 0~10000Pa
- 57 **LFM11 Series**  
Digital display differential pressure transmitter -10000~10000Pa
- 58 **LFM3 Series**  
Differential pressure gauge -10000~10000Pa

## *Pressure Transmitters*

- 59 **T2000**  
Universal pressure transmitter, -1~0……600bar
- 60 **T3000**  
Liquid level pressure transmitter, 0~1……500mH<sub>2</sub>O
- 61 **T3800**  
Digital pressure transmitter, 0~2……200mH<sub>2</sub>O
- 62 **T1500**  
Differential pressure transmitter, 0~1±5kPa……5000kPa
- 63 **T1050**  
High accuracy pressure transmitter, 0~2……60bar
- 64 **T1030**  
High accuracy pressure transmitter, -1……-0.1bar~0~0.1bar……1000bar
- 65 **T1700**  
Absolute pressure transmitter, 0.1……400bar
- 66 **T1800**  
High temperature resistant pressure transmitter, 0~1……2000bar
- 67 **YG2221E**  
Engine oil pressure sensor, 0~6bar

## *Solenoid Valve*

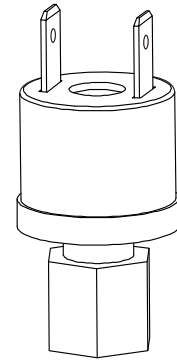
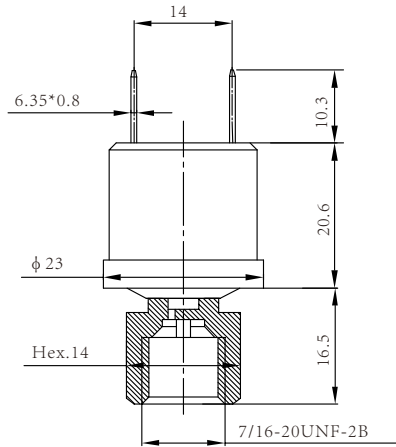
- 68 **SVD20**  
Inlet Solenoid Valve
- 69 **LFSV20-B**  
Drainage Solenoid Valve

# LF08

Small multi-purpose pressure switch



**LEFOO**



Dimension in:mm

The LF08 switches are fixed set point, factory calibrated pressure switches. It is automatic reset, and can be Normally open or normally close contacts. All metallic wetted components make the LF08 switch compatible with a multitude of chemicals in liquid or gas form. It is offered numerous types of electrical terminations from different size and style push on terminals to wire leads with an array of standard industry connectors. In house machining capabilities allows Lefoo to offer a wide variety of pressure fitting from different thread types and sizes to units with internal deflator and copper tubing for sawing operations.

## LF08 Order Ref NO

LF08 - 1 1 1 1 - 145-175psi

**A B C D** Pressure setting:Reset pressure 145psi Action pressure 175psi

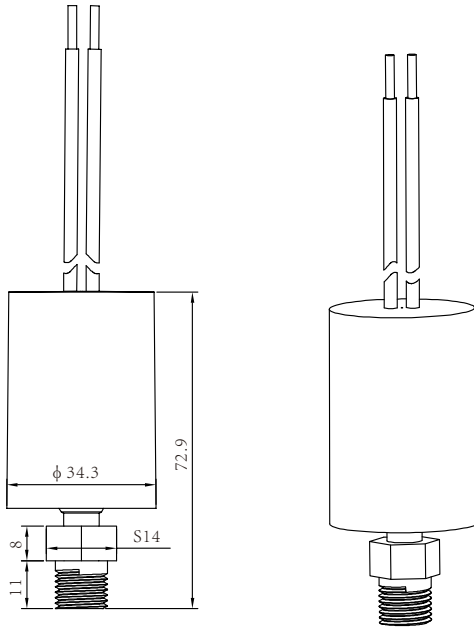
Number	Circuitry	Base Material	Connection	Electrical connections
1	<b>A</b> SPST-NC	<b>B</b> brass	<b>C</b> 1/8NPT	<b>D</b> 6.35×0.8
2	SPST-NO	plated steel	1/4NPT	4.8×0.8
3	SPDT	/	R1/8	18AWG Wire leads
4	/	/	R1/4	/
5	/	/	G1/8	/
6	/	/	G1/4	/
7	/	/	1/4 Copper tube	/
8	/	/	7/16UNF Male	/
9	/	/	7/16UNF Female	/
10	/	/	7/16UNF Female with deflector	/

## Specification

Model	LF08		
Media	Air,Water,motor oils,transmission oils,Hydrocarbon Media,Refrigeration fluid		
Pressure Range/ Tolerance/ Proof Pressure	Pressure Range	Tolerance	Proof Pressure
	0.2~6bar(low pressure)	±0.5bar	15bar
	6~10bar	±0.7bar	35bar
	11~20bar	±1bar	45bar
	21~30bar	±1.5bar	
	31~45bar	±1.5bar	
Burst Pressure	5000psi		
Operating Temperature Range	Environment temperature:low pressure:-30~65℃ ,High pressure:-35~120℃; Medium temperature:-50~120℃		
Switch Type	SPST(NC OR NO); SPDT		
Electric Rating	120Vac 6FLA,40.2LRA; 240Vac 4FLA,26LRA		120/240Vac 375VA;36Vdc 3A
Endurance	100000		

Conversion: 1bar=14.5psi 1MPa=10bar





Dimension in:mm

## LF08A

High current  
pressure switch



The LF08A switches are fixed set point, factory calibrated pressure switches. It is automatic reset, and can be normally open or normally close contacts. All metallic wetted components make the LF08A switch compatible with a multitude of chemicals in liquid or gas form. It is offered numerous types of electrical terminations from different size and style push on terminals to wire leads with an array of standard industry connectors. In house machining capabilities allows Lefoo to offer a wide variety of pressure fitting from different thread types and sizes to units with internal deflator and copper tubing for sawing operations.

### LF08A Order Ref NO

LF08A - 1111 - 145-175psi

**A B C D** Pressure setting: Reset pressure 145psi Action pressure 175psi

Number	Circuitry	Base Material	Connection	Electrical connections
1	<b>A</b> SPST-NC	<b>B</b> brass	<b>C</b> 1/8NPT	<b>D</b> 6.35×0.8
2	SPST-NO	plated steel	1/4NPT	16AWG Wire leads
3	SPDT	/	R1/8	14AWG Wire leads
4	/	/	R1/4	/
5	/	/	G1/8	/
6	/	/	G1/4	/
7	/	/	1/4 Copper tube	/
8	/	/	7/16UNF Male	/
9	/	/	7/16UNF Female	/
10	/	/	7/16UNF Female with deflector	/

### Specification

Model	LF08		
Media	Air,Water,motor oils,transmission oils,Hydrocarbon Media,Refrigeration fluid		
Pressure Range/ Tolerance/ Pressure value	Pressure Range	Tolerance	Proof Pressure
	0.2~6bar(low pressure)	±0.5bar	15bar
	6~10bar	±0.7bar	35bar
	11~20bar	±1bar	45bar
	21~30bar	±1.5bar	
	31~45bar	±1.5bar	
Burst Pressure	5000psi		
Operating Temperature Range	Environment temperature: low pressure-30~65℃ ,High pressure:-35~120℃; Medium temperature: -50~120℃		
Switch Type	SPST(NC OR NO); SPDT		
Electric Rating	120VAC,13FLA,65LRA; 240VAC,10FLA,45LRA; 480VAC,4FLA,24LRA 120/240VAC,480/720VA; 28VDC,15AMP; 24VAC,125VA		
Endurance	100000		
Connection	Please see the selection table (customizable)		
Electrical connections	6.35*0.8; Wire connection (can be customized length and electrical plug)		

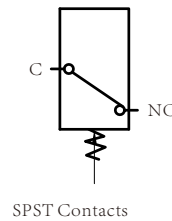
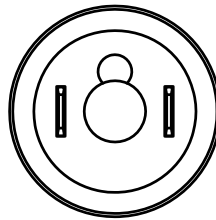
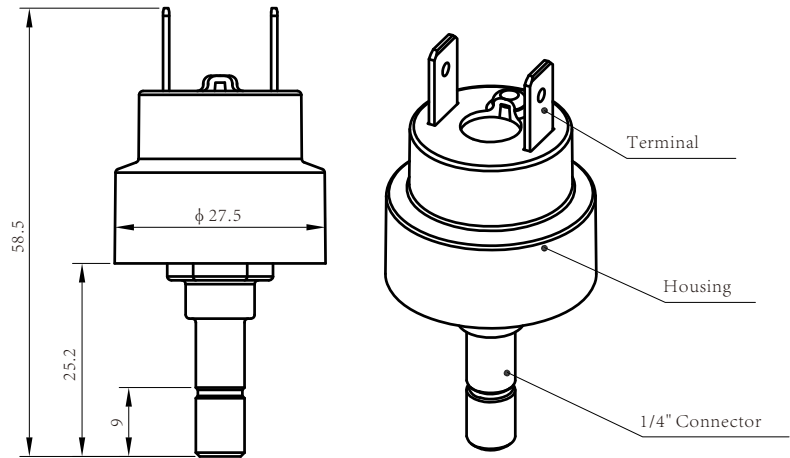
Conversion: 1bar=14.5psi 1MPa=10bar

www.lefoo.com

# LF08E

Pressure switch for water purifier

**LEFOO**



SPST Contacts

Dimension in: mm

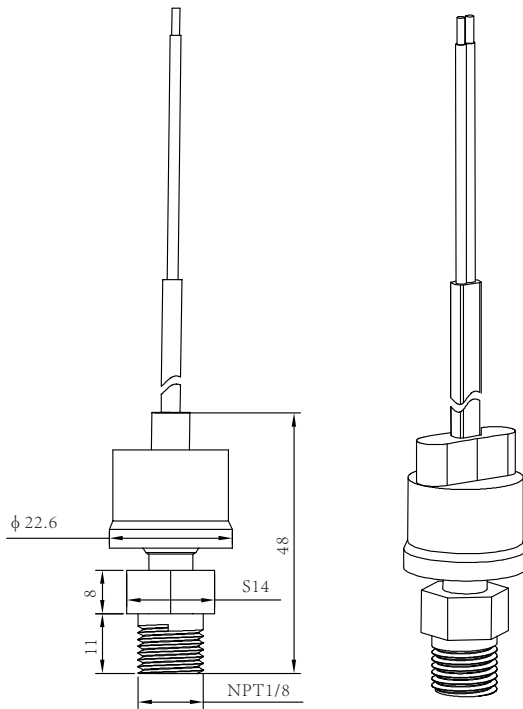
This product is specially designed for water purifier, which can replace traditional high-low pressure switch. It is more sensitive action and used for wider range of applications.

## Specification

Item	LF08E
Pressure range	0.05~0.35MPa
Performance	One pressure setting/ Two pressure setting
Proof pressure	1.2MPa
Burst pressure	3.2MPa
Terminal	6.3mm or 4.8
Temperature range	-20°C~120°C
Circuitry	SPST(NC or NO)
Electric rating	250VAC 3A
Media	Air , Water

## LF08V

Small vacuum pressure switch



Dimension in:mm



### LF08V Order Ref NO

LF08V-1 1 1 1 - 0.4-0.75bar

**A B C D** Pressure setting:Reset pressure 0.4bar Action pressure 0.75bar

LF08V series pressure switch is designed automatic reset switch, used in vacuum environment, vacuum system applicable to electric car.

Number	Circuitry	Base Material	Connection	Electrical connections
1	<b>A</b> SPST-NC	<b>B</b> brass	<b>C</b> 1/8NPT	<b>D</b> 6.35×0.8
2	SPST-NO	plated steel	1/4NPT	18AWG Wire leads
3	/	/	G1/8	Protective sleeve
4	/	/	G1/4	/
5	/	/	customized	/

### Specification

Model	LF08V		
Media	Air,Water,motor oils,transmission oils,Hydrocarbon Media,Refrigeration fluid		
Pressure Range/ Tolerance	Pressure Range	Reset pressure	Tolerance
	-0.5~-0.8bar	-0.25~-0.6bar	±0.05bar
	Differential pressure≥0.25 bar		
Burst Pressure	10bar		
Operating Temperature Range	-20~65°C		
Switch Type	SPST(NC OR NO)		
Electric Rating	120Vac 6FLA,40.2LRA; 240Vac 4FLA,26LRA		
	120/240Vac 375VA;36Vdc 3A		
Endurance	300000		

Conversion: 1bar=14.5psi 1MPa=10bar

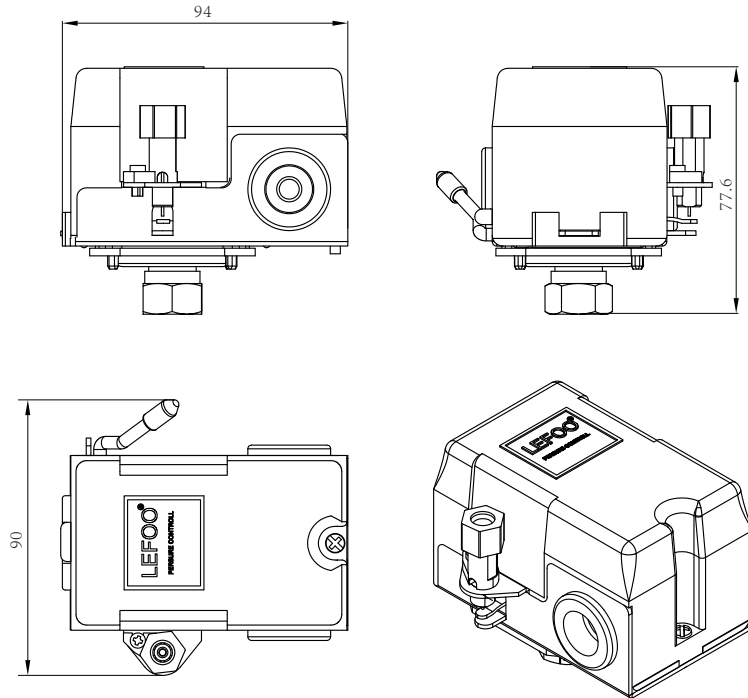
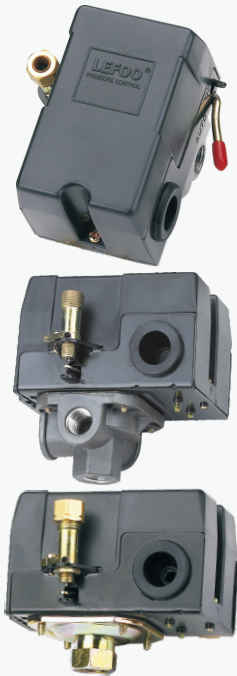
www.lefoo.com

# LF10

Air compressor  
pressure switch



# LEFOO



Dimension in:mm

The LF10 pressure switches are used to regulate the tank pressure between two preset values on small (up to 200psi) electrically driven air compressors. They are available with an unloader valve, which prevents compressors from starting under load, and an auto-off disconnect lever for manual cut off the compressor. A four port manifold style is available which provides a means for easy mounting of valves and gauges.

## LF10 Order Ref NO

LF10(A) - 4 H 1 1 1 2 3 - 85psi-115psi

**A B C D E F** Pressure setting:Cut in 85psi Cut off 115psi

Number	Connection Type	Connection Size	Unloader Valve Type	Unloader Valve Connection	Handle Type
0	/ /	/	Without	Without	Without
1	single port <b>B</b> female	<b>C</b> 1/4NPT	<b>D</b> vertical	Φ6.1mm	long and bend
2	/ male	3/8NPT	horizontal	<b>E</b> Φ6.4mm	long and straight
3	/ /	R1/4	/	Φ6.5mm	<b>F</b> short and bend
4	<b>A</b> four ports	R3/8	/	/	short and straight
5	/ /	G1/4	/	/	/
6	/ /	G3/8	/	/	/

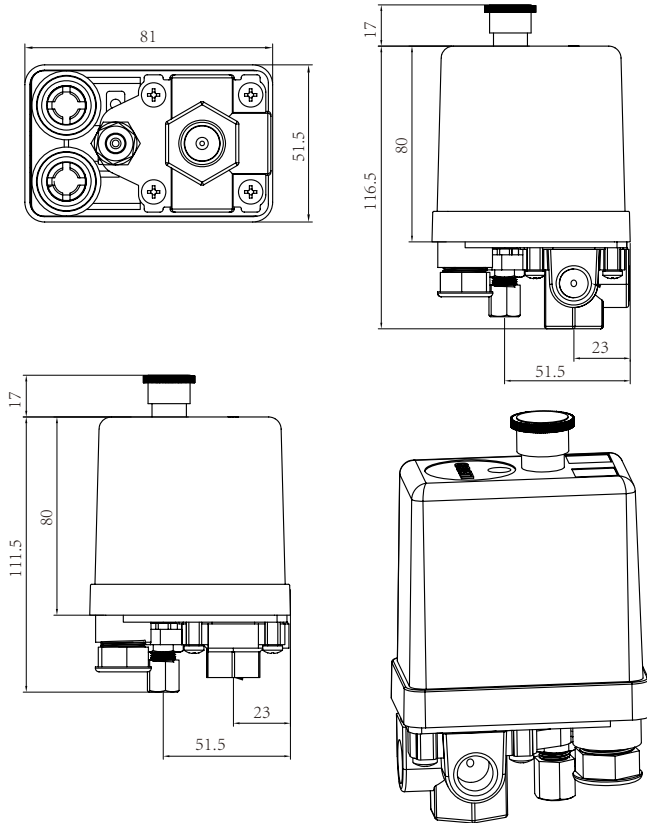
## Specification

Model	Media	Operating Pressure Range	Factory Setting	Differential	Electrical Rating	Contact Arrangement	Connection
LF10	Air	25-100psi	55-80psi	20-35psi	20A/120VAC 12A/240VAC	NC	1/4,3/8Male or Female NPT (1Port) 1/4 Female NPT (4Ports)
	Air	35-150psi	85-115psi	30-40psi			
	Air	50-175psi	110-150psi	35-55psi			
	Air	70-190psi	130-175psi	40-55psi			
LF10A	Air	25-100psi	55-80psi	20-35psi	26A/120VAC 26A/240VAC	NC	1/4,3/8Male or Female NPT (1Port) 1/4 Female NPT (4Ports)
	Air	35-150psi	85-115psi	30-40psi			
	Air	50-175psi	110-150psi	35-55psi			
	Air	70-190psi	130-175psi	40-55psi			

Conversion: 1kgf/cm<sup>2</sup>=14.2psi 1bar=14.5psi Other connections are available on request.

## LF10-L

Air compressor pressure switch



Dimension in:mm



The LF10-L pressure switch is a pressure-operated electric switch for use in regulating the tank pressure between two preset values on electrically driven air compressors. It is available with an unloader valve, which prevents compressors from starting under load, and an On-Off button for manual cut off the compressor. A four port manifold style is available.

### LF10-L Order Ref NO

LF10-L-4H1112-85psi-115psi  
**A B C D E** Pressure setting:Cut in 85psi    Cut off 115psi

Number	Connection Type	Connection Size	Unloader Valve Type	Unloader Valve Connection
0	/	/	/	Without
1	single port	<b>B</b> female	<b>C</b> 1/4NPT	<b>D</b> Copper Φ6.0mm
2	/	/	3/8NPT	Plastic <b>E</b> Φ6.4mm
3	/	/	R1/4	/ Φ6.5mm
4	<b>A</b> four ports	/	R3/8	/
5	/	/	G1/4	/
6	/	/	G3/8	/

### Specification

Model	Media	Operating Pressure Range	Factory Setting	Differential	Electrical Rating	Contact Arrangement	Connection
LF10-L1H	Air	45-175psi	85-115psi	30-45psi	120VAC, 20A	NC	G1/4,G3/8 or 1/4,3/8NPT Female
LF10-L4H	Air	45-175psi	85-115psi	30-45psi	120VAC, 20A	NC	G1/4,G3/8 or 1/4, 3/8NPTFemale (Four ports)

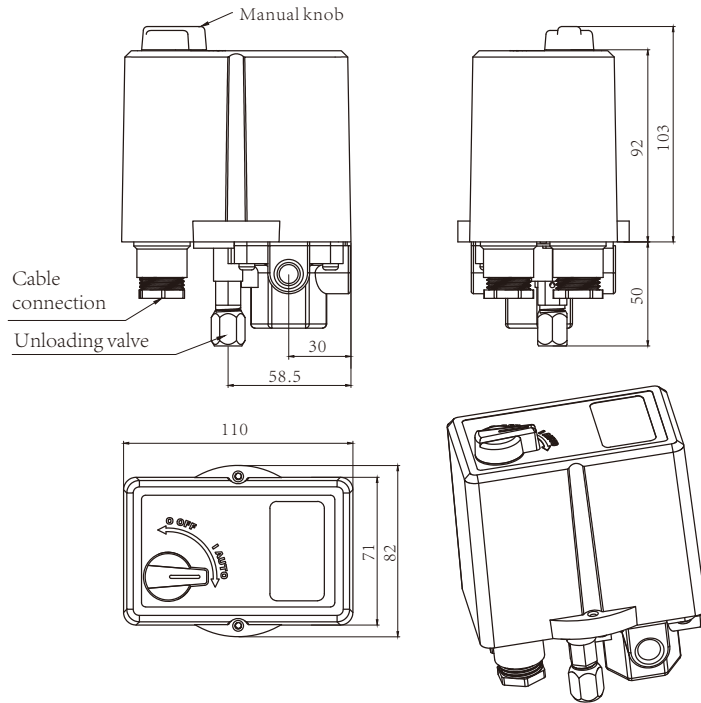
Other pressure settings and differential are available on request.

Other connections are available on request.

Conversion: 1kgf/cm<sup>2</sup>=14.2psi 1bar=14.5psi

www.lefoo.com

## LF12 Air Pressure Switches



Dimension in: mm

LF12 is three phase pressure switch, used for air compressor and water pump to regulate pressure between two preset values. It is available with an unloader valve, which prevents compressor from starting under load and an On-Off knob for manual cut off the compressor or pump. A four port manifold style is available, which makes easy mounting of other parts for air compressor, like valve and gauge. LF12 is available with thermal relay for overload protection. The relay will cut off the motor power timely to prevent the motor from burning when motor is overloaded.

### LF12 Order Ref NO

LF12 - 1 - 1 - 1 - 1 - 1 - 1

A B C D E F

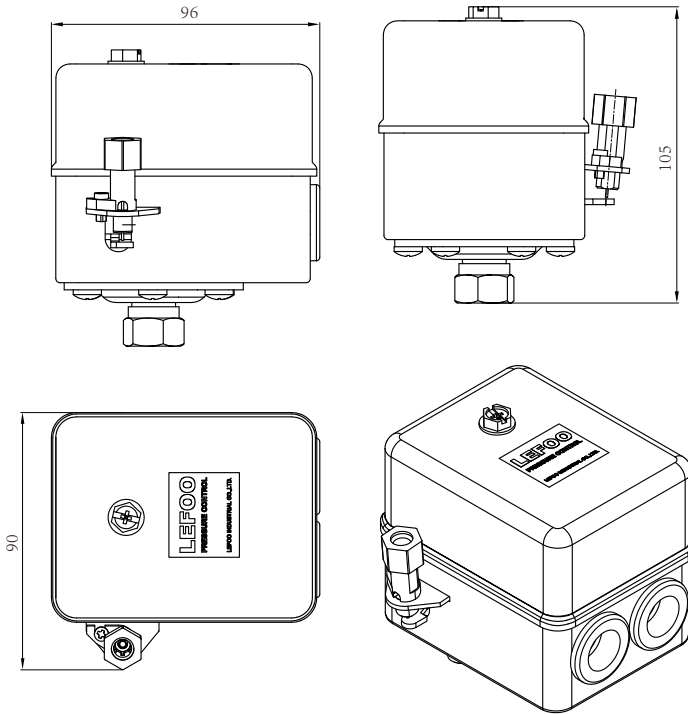
NO.	Connection Type	Female Connection Size	Unloader Valve Type	Unloader Valve Connection	Handle Type	Thermal Relay
1	<b>A</b> Single port	<b>B</b> G1/2+3*G1/4	<b>C</b> Without	<b>D</b> Without	<b>E</b> Without	<b>F</b> Without
2	Four port	G3/8+3*G1/4	Vertical (Brass)	Φ6.0	Rotary Knob	With
3		NPT1/2+3*NPT1/4	Horizontal (zinc alloy)	Φ6.4		
4		R1/2+3*R1/4	Vertical (zinc alloy)	Φ6.5		

### Specification

Model	Operating Pressure Range	Differential	Factory Setting	Electrical Rating	Contact Arrangement	Connection
LF12	1-6bar	0.7-2bar	2-3bar	Single phase 120VAC/10A ;230VAC/10A Three phase 120VAC/10A ;230VAC/10A; 400VAC/7.5A;400VAC/11A; 500VAC/6A;500VAC/9A; 690VAC/4.5A;690VAC/6.5A	NC	G1/2 or NPT1/2 or R1/2 Female
	3-11bar	1.5-3.5bar	6-8bar			
	6-16bar	2-7bar	9-12bar			
	5-25bar	3-8bar	16-20bar			
	12-35bar	3-8bar	25-30bar			

## LF17

### Air compressor pressure switch



Dimension in:mm

### LF17 Order Ref NO

LF17(A) - 1 H 1 1 1 2 - 145 - 175psi

**A B C D E** Pressure setting: Cut in 145psi Cut off 175psi

The rugged LF17 pressure switch is designed for the demanding requirements of larger, heavy duty commercial air compressors (up to 250 psi). The sturdy painted steel case and cover resists the harsh conditions encountered in industrial applications. This style is also available with an unloader valve to prevent the compressor from starting under load.

Number	Connection Type		Connection Size	Unloader Valve Type	Unloader Valve Connection
1	<b>A</b> single port	<b>B</b> female	<b>C</b> 1/4NPT	<b>D</b> vertical	Φ6.0mm
2	/	male	3/8NPT	horizontal	<b>E</b> Φ6.4mm
3	/	/	R1/4	/	Φ6.5mm
4	/	/	R3/8	/	/
5	/	/	G1/4	/	/
6	/	/	G3/8	/	/

### Specification

Model	Media	Operating Pressure Range	Factory Setting	Differential	Electrical Rating	Contact Arrangement	Connection
LF17	Air	40-250psi	140-175psi	35-60psi	120VAC, 24A 240VAC, 20A	NC	1/4,3/8NPT Male or Female
	Air	15-60psi	30-45psi	15-20psi			
LF17A	Air	420-500psi	325-400psi	55-70psi	120VAC, 30A 240VAC, 25A		

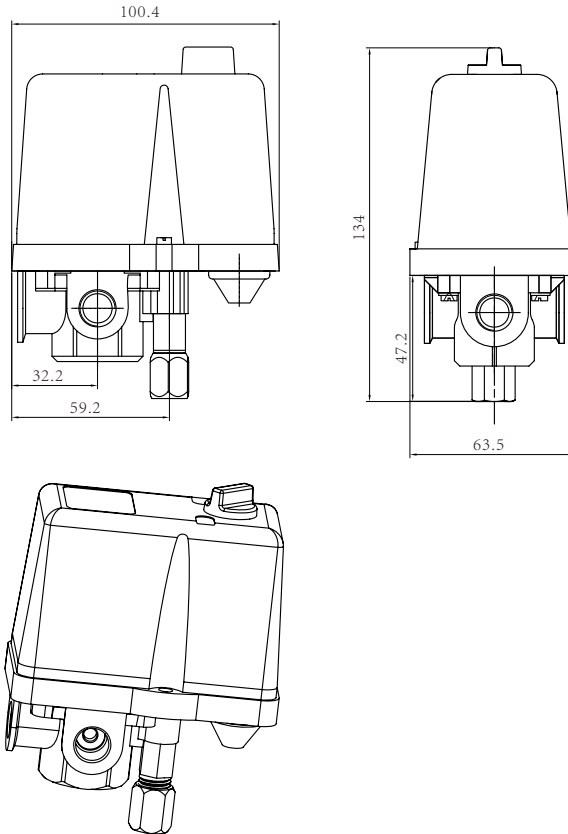
Conversion: 1kgf/cm<sup>2</sup>=14.2psi 1bar=14.5psi

# LF18

Air compressor and pump pressure switch



**LEFOO**



Dimension in:mm

The LF18 pressure switch is used to regulate the tank pressure between two preset values on 3 phase electrically driven air compressors. It is available with an unloader valve, which prevents compressors from starting under load, and it is available with an On-Off knob for manual cut off the compressor.

## LF18 Order Ref NO

LF18 - 4 H 1 1 1 1 2 - 85psi - 115psi

**A B C D E F** Pressure setting:Cut in 8bar Cut off 115psi

Number	Connection Type	Connection Size	Unloader Valve Type	Unloader Valve Connection	Handle Type
0	/	/	without	without	without
1	single port	<b>B</b> female	<b>C</b> G1/4	<b>D</b> vertical	<b>E</b> Φ6.0mm
2	/	G1/2	/	<b>F</b> Φ6.4mm	/
3	three ports	/	1/4NPT	/	Φ6.5mm
4	<b>A</b> four ports	/	1/2NPT	/	/
5	/	/	R1/4	/	/
6	/	/	R1/2	/	/

## Specification

Model	Media	Operating Pressure Range	Factory Setting	Differential	Electrical Rating	Contact Arrangement	Connection
LF18	Air	1.0-5.0bar	2.0-4.0bar	1.0-3.0bar	400VAC-3 16A/25A	NC	1/4 or 1/2NPT, G1/4 or 1/2 Female
		2.0-8.0bar	3.8-5.0bar	1.0-3.0bar			
		3.0-11.0bar	5.6-7.0bar	1.4-4.0bar			
		4.0-16.0bar	8.0-10.0bar	1.8-4.5bar			

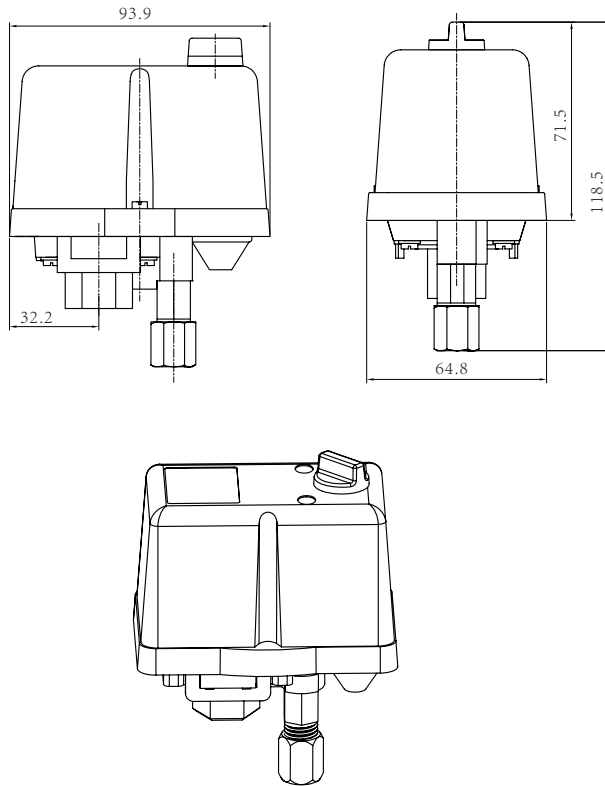
Conversion: 1kgf/cm<sup>2</sup>=14.2psi 1bar=14.5psi

Other connections are available on request.



## LF19

Air compressor and pump pressure switch



Dimension in:mm



LF19 pressure switches provide time tested, reliable control for automatic water systems. The switch is universally acceptable for use as original equipment on water well pumps or pumping systems. It is available with an On-Off knob for manual cut off the pump.

### LF19 Order Ref NO

LF19 - 4 1 1 1 2 1 - 7.5 - 10.5bar

**A B C D E F**

Pressure setting:Cut in 7.5bar

Cut off 10.5bar

Number	Connection Type		Connection Size	Unloader Valve Type	Unloader Valve Connection	Handle Type
0	/	/	/	without	without	without
1	single port	<b>B</b> female	<b>C</b> G1/4	<b>D</b> vertical	Φ6.0mm	<b>F</b> ON/OFF Knob
2	/	/	G1/2	/	<b>E</b> Φ6.4mm	/
3	three ports	/	1/4NPT	/	Φ6.5mm	/
4	<b>A</b> four ports	/	1/2NPT	/	/	/
5	/	/	R1/4	/	/	/
6	/	/	R1/2	/	/	/

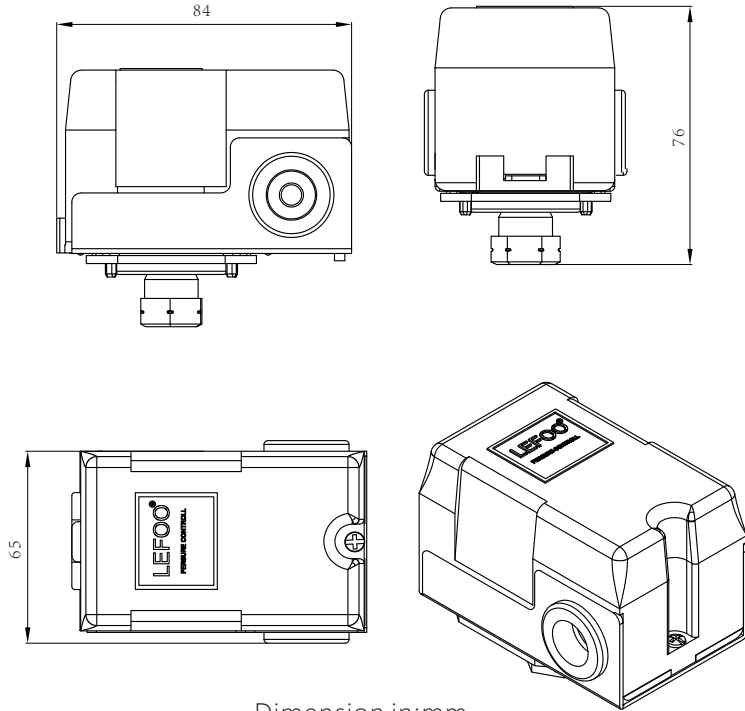
### Specification

Model	Media	Unloader Valve	Operating Pressure Range	Differential	Factory Setting	Electrical Rating	Contact Arrangement
LF19	Air	With	1-6bar	1-3bar	2-4bar	250VAC 16A/25A	NC
			2-11bar	1.4-3.5bar	6-8bar		
			5-14bar	1.8-4.0bar	8-10bar		

Conversion: 1kgf/cm<sup>2</sup>=14.2psi 1bar=14.5psi

# LF10-W

Pump pressure switch



Dimension in:mm

LF10-W series pressure switches provide time tested, reliable control for automatic water systems. The switch is universally acceptable for use as original equipment on water well pumps or pumping systems.

## LF10-WS and LF10-WR Order Ref NO

LF10(A) - W(S or R) - 1 1 1 - 30 - 50psi

Contact Type: NC NO **A B C** Pressure setting: Cut in 35psi Cut off 50psi

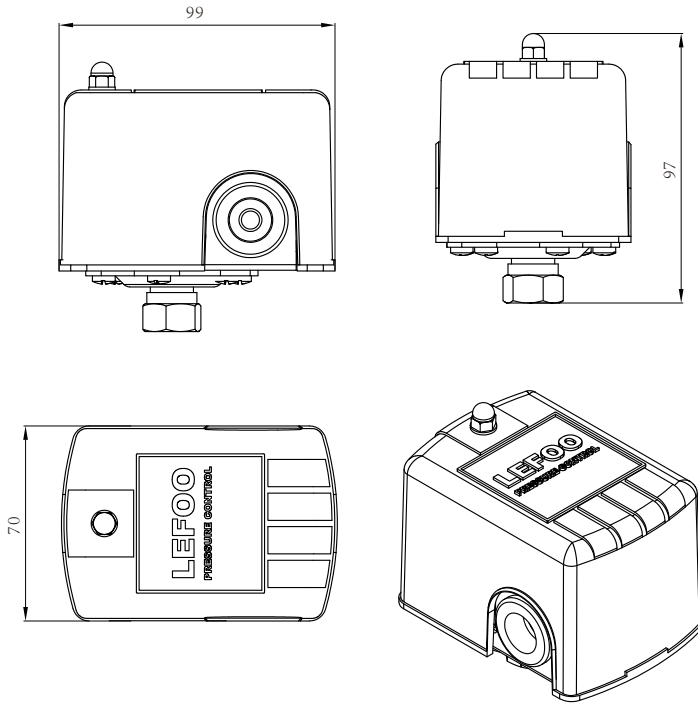
Number	Connection Type		Connection Size
1	<b>A</b> single port	<b>B</b> female	<b>C</b> 1/4NPT
2	/	male	3/8NPT
3	/	/	R1/4
4	/	/	R3/8
5	/	/	G1/4
6	/	/	G3/8
7	/	/	NPT1/4 Long Male
8	/	/	G1/4 Bolt Connectin

## Specification

Model	Media	Operating Pressure Range	Factory Setting	Differential	Electrical Rating	Contact Arrangement	Connection
LF10-WS (LF10A-WS)	Water	15-82psi	20-35psi	15-30psi	120VAC, 20A (120VAC, 26A)	NC	1/4NPT Male or Female
	Water	30-100psi	30-50psi	20-35psi	240VAC, 12A (240VAC, 26A)		
	Water	35-150psi	85-115psi	30-40psi			
LF10-WR (LF10A-WR)	Water	80-15psi	50-30psi	17-30psi	240VAC, 20A (120VAC, 26A)	NO	1/4NPT Male or Female
	Water	100-30psi	100-75psi	25-30psi	240VAC, 12A (240VAC, 26A)		
	Water	150-35psi	125-95psi	30-45psi			

Conversion: 1kgf/cm<sup>2</sup>=14.2psi 1bar=14.5psi Other connections are available on request.

## LF16 Pump pressure switch



Dimension in:mm



### LF16 Order Ref NO

LF16(-1) - 1 1 1 - 30 - 50psi

**A B C** Pressure setting:Cut in 30psi      Cut off 50psi

LF16 pressure switches provide time tested, reliable control for automatic water systems. The switch is universally acceptable for use as original equipment on water well pumps or pumping systems.

Number	Connection Type		Connection Size
1	<b>A</b> single port	<b>B</b> female	<b>C</b> 1/4NPT
2	/	male	3/8NPT
3	/	/	R1/4
4	/	/	R3/8
5	/	/	G1/4
6	/	/	G3/8

### Specification

Model	Min On (Cut-In) psi	Min Off (Cut-Out) psi	Differential psi	Factory Setting psi	Electrical Rating			Contact Arrange- ment	Connection
					1Phase 120VAC	3Phase 240VAC	3Phase 240VAC		
LF16	20	80	15-30	20-40	2HP	3HP	5HP	NC	1/4 Male or Female NPT
			15-30	30-50					
			15-35	40-60					
	40	100	20-35	70-100					
LF16-1	20	80	15-30	20-40	1.5HP	2HP	3HP		
			15-30	30-50					
			15-35	40-60					
	40	100	20-35	70-100					

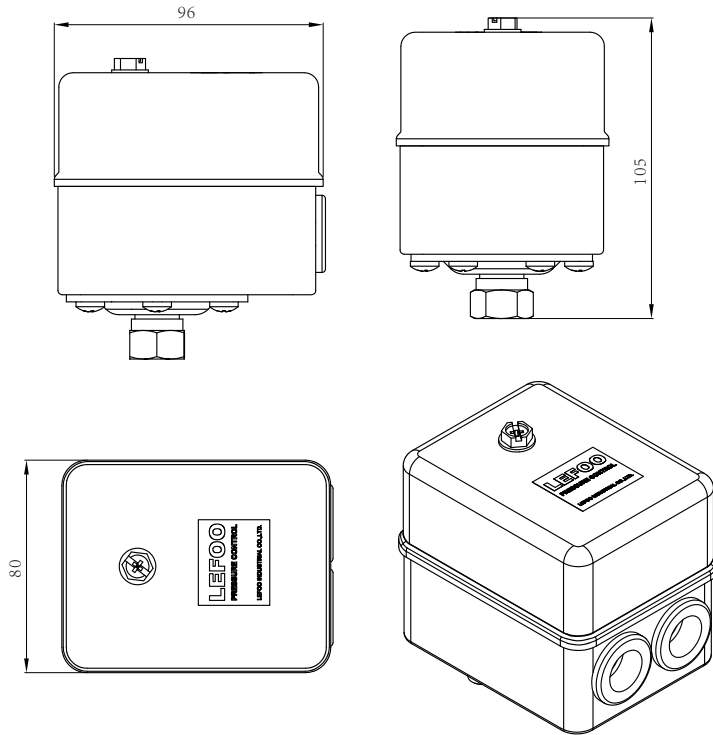
Conversion: 1kgf/cm<sup>2</sup>=14.2psi 1bar=14.5psi Other connections are available on request.

# LF17-W

Pump pressure switch



**LEFOO**



Dimension in:mm

The rugged LF17 pressure switch is designed for the demanding requirements of larger, heavy duty commercial water pump system.

## LF17-W Order Ref NO

LF17 - W - 1 1 1 - 80 - 100psi

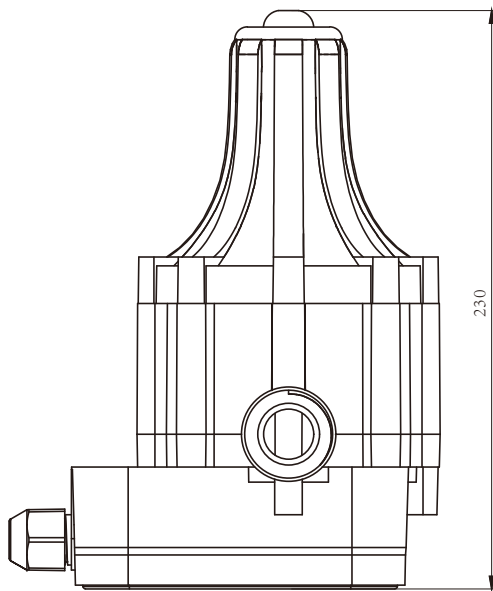
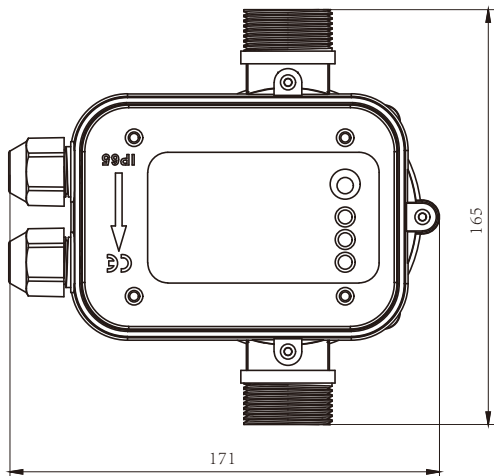
**A B C** Pressure setting:Cut in 80psi Cut off 100psi

Number	Connection Type		Connection Size
1	<b>A</b> single port	<b>B</b> female	<b>C</b> 1/4NPT
2	/	male	3/8NPT
3	/	/	R1/4
4	/	/	R3/8
5	/	/	G1/4
6	/	/	G3/8

## Specification

Model	Media	Operating Pressure Range	Factory Setting	Differential	Electrical Rating	Contact Arrangement	Connection
LF17-W	Water	40-250psi	80-100psi	20-60psi	120VAC, 24A 240VAC, 20A	NC	G, NPT1/4, 3/8 Male or Female
	Water	14-100psi	40-70psi	14-50psi			
LF17-W5	Water	15-60psi	30-45psi	7-20psi			

Conversion: 1kgf/cm<sup>2</sup>=14.2psi 1bar=14.5psi



Dimension in: mm

## LFPC-1

Automatic water pump controller



Automatic water pump controller is the electronic intelligent water pump control equipment, which can completely replace traditional strong power control system composed of pressure tank, pressure switch, water shortage protection device, check valve and four ports, also saving time and material when installation. Control cabinet with complete isolation of electric part and pipe and high sealing make controller own characteristics of safety, environmental protection, long life, stable performance, less maintenance and no noise, which is better than traditional pressure and preferred by family.

### Matters need attention:

1. Setting pressure is not adjustable.
2. Need to install on water pump with power greater than 200W.
3. Don't install any faucet between controller and pumps.
4. The distance between controller and the highest faucet shouldn't exceed 15M.

### Specification

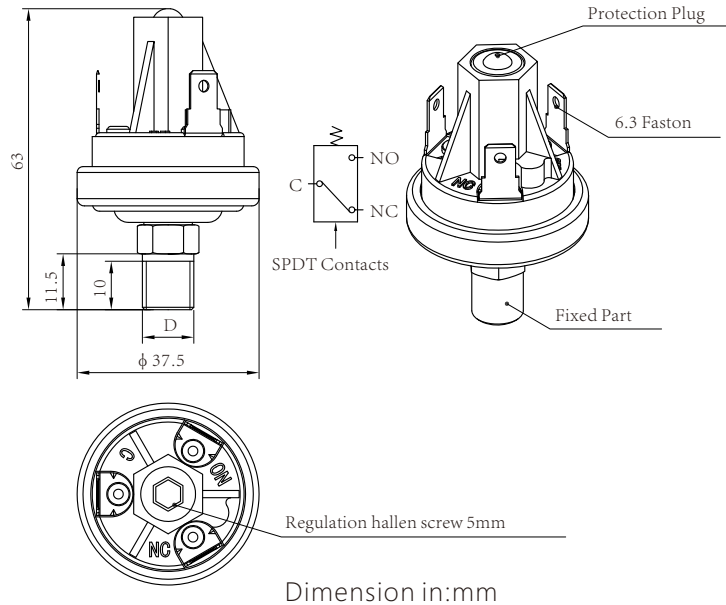
Model	LFPC-1
Rated voltage	220-240VAC
Maximum working pressure	10bar
Frequency	50-60Hz
Connection	R1"
Maximum current	8A
Protection level	IP65
Maximum power	1.5kW(2HP)
Maximum operating temperature	65°C
Factory setting	1.5bar, stop when water pressure reach 3.5bar

# LF20

Extended duty pressure switch



**LEFOO**



The LF20 pressure switch is specifically designed to stand up to extended duty applications. This switch is factory set but capable of field adjustment. It features different diaphragms for compatibility with a wide variety of fluids, and various terminations including a Metri-Pack connector that forms a tight seal when connected. It can be widely used for pool and spa, anti-skid braking systems, water pump systems, and dental air compressors, heavy construction, off road equipments and other pressure control systems.

## LF20 Order Ref NO

LF20 - 4 1 1 1 1 1 - 10psi

**A B C D E F** Pressure setting: 10psi

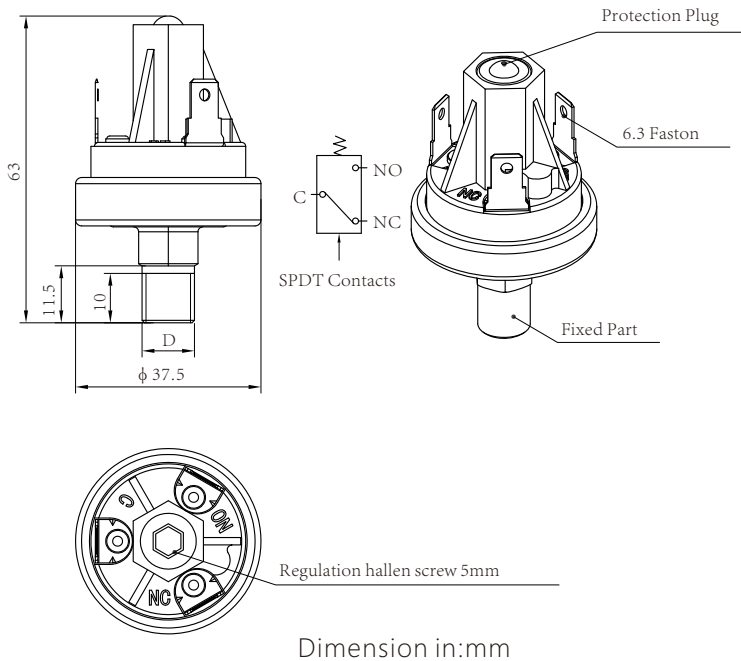
Number	Pressure Set Point Range	Circuitry	Base Material	Connection	Terminals	Cover
0	/	/	/	/	/	none
1	0.5-1psi±0.3psi	<b>B</b> SPST-NC	<b>C</b> brass	<b>D</b> 1/8NPT	<b>E</b> 1/4 blade	<b>F</b> cover A
2	1.1-3psi±0.5psi	SPST-NO	plated steel	1/4NPT	#8-32 screws	cover B
3	3.1-7psi±1psi	SPDT-NO-C-NC	stainless steel	R1/8	wire leads	/
4	<b>A</b> 8-13psi±2psi	SPST-NO(adjustable)	/	R1/4	/	/
5	14-4psi±3psi	SPDT-NO-C-NC(adjustable)	/	G1/8	/	/
6	25-50psi±5psi	/	/	G1/4	/	/
7	51-90psi±7psi	/	/	/	/	/
8	91-150psi±10psi	/	/	/	/	/

## Specification

Model	LF20
Media	Air, water, motor oils, transmission oils, jet fuels and other similar Hydrocarbon Media
Pressure Set Point	Factory set from 0.5 to 150psi
Max Operating Pressure	150psi for 0.5-24psi set point range, 250psi for 25-150psi set point range
Proof Pressure	500psi
Burst Pressure	750psi for 0.5-24psi set point range, 1250psi for 25-150psi set point range
Operating Temperature Range	-40°C to +120°C
Switch Type	Direct action, blade contact
Electric Rating	Resistive: 15AMP-6VDC, 8AMP-12VDC, 4AMP-24VDC Inductive: 1AMP-120VAC, 0.5AMP-240VAC
Contact Arrangement	SPST-N,O,N,C 1circuit adjustable dual circuit, or 2circuits adjustable dual circuit. Also available are N.O/N.O. dual circuit and N.C/N.C. dual circuit
Terminal	#8-32 screws, 1/4" blade
Options	Plated Steel, plastic or stainless steel base; various base connector threads size; wire leads (potted & sealed); Teflon or EPDM diaphragm

Conversion: 1kgf/cm<sup>2</sup>=14.2psi 1bar=14.5psi

## LF20-H Ultra duty pressure switch



The LF20-H pressure switches are robust, compact and designed to operate in harsh environments at various pressures. The switch is factory calibrated but in the case that adjustment is needed in the field the switch offers an adjustment screw to facilitate any fine tuning required. The standard diaphragm employed is polyimide making it compatible with many gases and liquids. Several other diaphragm materials are available that make the switch compatible with many mediums. Various electrical terminations are available including tabs and a metric-pack connector that forms a tight seal when connected.

### LF20-H Order Ref NO

LF20 - H - 4 1 2 1 1 1 - 175psi  
**A B C D E F** Pressure setting: 175psi

Number	Pressure Set Point Range	Circuitry	Base Material	Connection	Terminals	Cover
0	/	/	/	/	/	none
1	10-35psi±3psi	<b>B</b> SPST-NC	/	<b>D</b> 1/8NPT	<b>E</b> 1/4 blade	<b>F</b> cover A
2	35-75psi±7psi	SPST-NO	<b>C</b> plated steel	1/4NPT	#8-32 screws	cover B
3	75-150psi±10psi	SPDT-NO-C-NC	stainless steel	R1/8	wire leads	/
4	<b>A</b> 150-250psi±20psi	SPST-NO(adjustable)	/	R1/4	/	/
5	250-400psi±50psi	SPDT-NO-C-NC(NO.adjustable)	/	G1/8	/	/
6	/	/	/	G1/4	/	/

The polyimide diaphragm is not suit for water, if customer is to use the pressure switch in water, please contact the factory.

### Specification

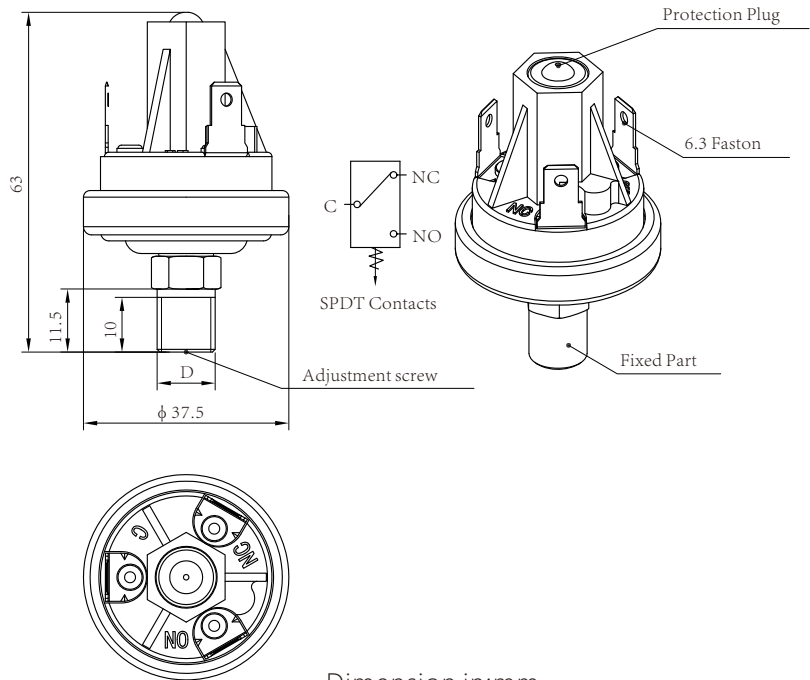
Model	LF20-H
Media	Air,water,motor oils,transmission oils,jet fuels and other similar Hydrocarbon Media
Pressure Set Point	Factory set from 10 to 400psi
Max Operating Pressure	500 psi
Proof Pressure	2000 psi
Burst Pressure	4000 psi
Operating Temperature Range	-40°C to +120°C
Switch Type	Direct action,blade contact
Electric Rating	Resistive: 15AMP-6VDC, 8AMP-12VDC, 4AMP-24VDC Inductive: 1AMP-120VAC, 0.5AMP-240VAC
Contact Arrangement	SPST-NO,NC,SPDT
Terminal	#8-32 screws,1/4" blade, Metri-Pack
Connection	1/8"NPT Male,1/4"NPT Male,G1/8"Male,G1/4"Male
Options	Base connector sizes,wire leads,NO/NO.dual circuit and NC/NC.dual circuit

Conversion: 1kgf/cm<sup>2</sup>=14.2psi 1bar=14.5psi

www.lefoo.com

# LF20-V

Vacuum pressure switch



Dimension in:mm

LF20-V vacuum switch is specifically designed to stand up to extended duty applications. This switch is factory set. It features a fluorosilicone rubber diaphragm for compatibility with a wide variety of fluids, and various terminations including a Metri-Pack connector that forms a tight seal when connected. Among the outstanding design benefits are its durable construction, compact size, and enhanced set point integrity.

## LF20-V Order Ref NO

LF20 - V - 4 1 1 1 1 1 - 20"Hg  
**A B C D E F** Pressure setting: 20"Hg

Number	Pressure Set Point Range	Circuitry	Base Material	Connection	Terminals	Cover
0	/	/	/	/	/	none
1	1.1-3"Hg(15-41"H20)±0.5"Hg	<b>B</b> SPST-NC	<b>C</b> barss	<b>D</b> 1/8NPT	<b>E</b> 1/4 blade	<b>F</b> cover A
2	4-8"Hg±1"Hg	SPST-NO	plated steel	1/4NPT	#8-32screws	cover B
3	9-17"Hg±2"Hg	/	stainless steel	R1/8	wire leads	/
4	<b>A</b> 18-22"Hg±3"Hg	/	/	R1/4	/	/
5	/	/	/	G1/8	/	/
6	/	/	/	G1/4	/	/

## Specification

Model	LF20-V
Media	Air
Pressure Set Point	Factory set from 1.1 to 22 in/Hg vacuum
Max Operating Pressure	30 in/Hg vacuum
Burst Pressure	150 psi
Opoeating Temperature Range	-40°C to +120°C
Switch Type	Direct action, blade contact
Electric Rating	Resistive: 15AMP-6VDC, 8AMP-12VDC, 4AMP-24VDC
	Inductive: 1AMP-120VAC, 0.5AMP-240VAC
Contact Arrangement	SPST-NO, NC
Terminal	#8-32 screws,1/4" blade, Metri-Pack
Connection	1/8"NPT Male,1/4"NPT Male,G1/8"Male,G1/4"Male
Material	Contact: Silver alloy, gold plated ; Base: Plated Steel ; Cover: Glaee reinforced polyester ; Diaphragm: Fluorosilicone elastomer
Options	Various base connector sizes,wire leads(potted & sealed)

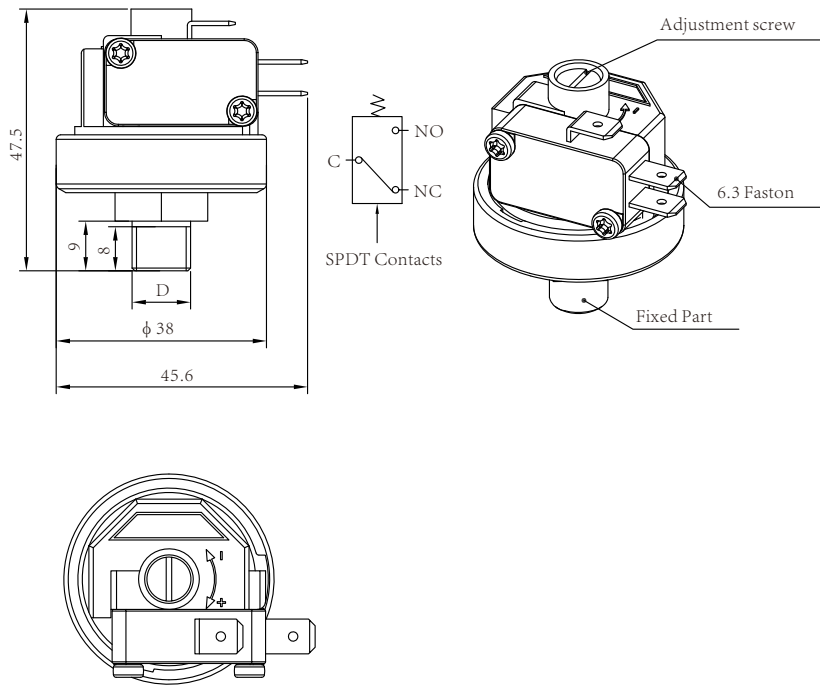
Conversion: 1kgf/cm<sup>2</sup>=14.2psi 1bar=14.5psi 1 in/Hg=0.49psi





## LF25

### Steam pressure switch



Dimension in:mm



LF25 pressure switch is designed for control pressure with higher current capacity. It is widely used in steam cleaner, steam sadoron and other pressure control system. It provides SPST or SPDT contact form and switch deadband (also referred to as mechanical differential or hysteresis). LF25 switch utilize high-quality miniature snap-action switches. The switch is diaphragm operated. During the development of a specification, actuation point can be adjusted by the designer. In production, factory setting is required.

### LF25 Order Ref NO

LF25 - 4 1 1 1 - 3.5bar

**A B C D** Pressure setting: Factory set at 3.5bar

Number	Pressure Range	Connection Type (Male)	Electrical Rating	Max operating temperature
1	0.2-0.6bar	<b>B</b> 1/8NPT	<b>C</b> 16A, 125-250VAC	<b>D</b> 85°C
2	0.5-1.0bar	G1/8	22A, 125-250VAC	125°C
3	1.0-2.5bar	R1/8	/	/
4	<b>A</b> 2.0-4.0bar	1/4NPT	/	/
5	3.0-7.0bar	G1/4	/	/
6	5.0-9.0bar	R1/4	/	/

### Specification

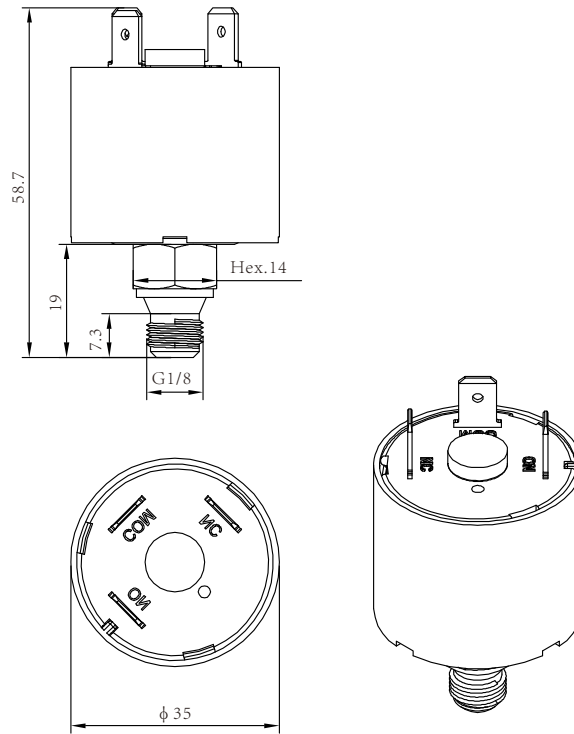
Model	LF25					
Media	Non hazardous gas, liquid or steam					
Operating Pressure	0.2-0.6bar	0.5-1.0bar	1.0-2.5bar	2.0-4.0bar	3.0-7.0bar	5.0-9.0bar
Proof Pressure	3bar	3bar	10bar	10bar	10bar	10bar
Operating Temperature Range	+125°C Max imum					
Contact Arrangement	SPST or SPDT					
Electric Rating	SPST or SPDT /Normal Close:16(4)-250VAC (other ratings are available if necessary)					
Terminal	6.3 or 4.8mm male Q.C. Insulation cover is available if necessary					
Connection	1/8NPT-27 or 1/4NPT-18 Male (other connection is optional)					

Conversion: 1kgf/cm<sup>2</sup>=14.2psi 1bar=14.5psi

www.lefoo.com

# LF26

Steam pressure switch



Dimension in:mm

LF26 is a compact pressure switch capable of sensing pressure range from as low as 0.2 bar up to 6bar and 10 bar. The switching mechanism is an internal snap action switch offering high current capacities with options of SPST, SPDT, normally open and normally closed contacts. It can be widely used in applications, where pressure of air, steam, gas, water etc. need to be controlled accurately and hysteresis is required.

## LF26 Order Ref NO

LF26 - 1 1 1 - 3.5bar

**A B C** Pressure setting: Factory set at 3.5bar

Number	Pressure Range	Connection Type (Male)	Differential
1	<b>A</b> 0.2-6bar	<b>B</b> 1/8NPT	<b>C</b> Fixed 0.1-0.4bar
2	0.2-10bar	1/4NPT	Adjustable 0.2-0.8bar
3	/	G1/8	/
4	/	G1/4	/
5	/	R1/8	/
6	/	R1/4	/

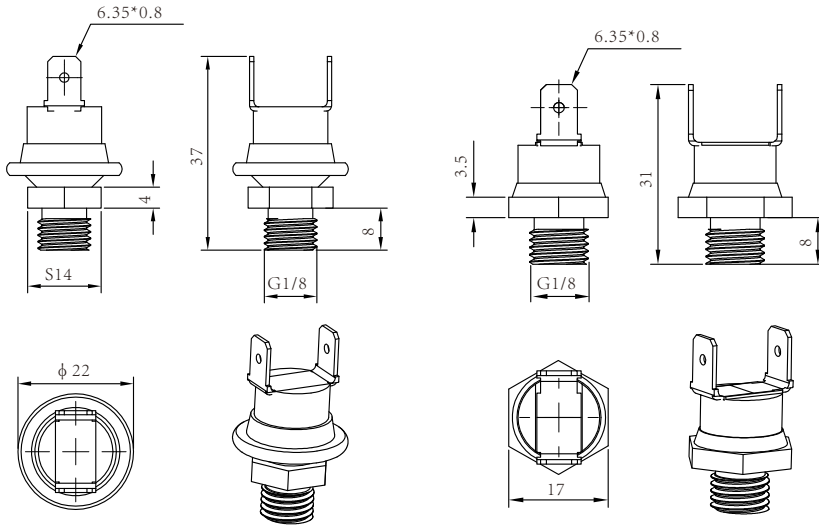
## Specification

Model	LF26	
Media	Non hazardous gas, liquid, oil or steam	
Operating Pressure	0.2-6bar	0.2-10bar
Proof Pressure	12bar	
Differential	Fixed 0.1-0.4bar; Adjustable 0.2-0.8bar	
Operating Temperature Range	+125°C Max imum	
Contact Arrangement	SPST or SPDT	
Electric Rating	Normally closed: NC 15A resistance load,1.5 inductive load/250V Normally open: NO 9A resistance load, 0.9 inductive load/250V	
Terminal	6.3 mm Male Q.C Insulation cover is available if necessary	
Connection	G1/8 or G1/4 Male (other connection is optional)	

Conversion: 1kgf/cm<sup>2</sup>=14. 2psi 1bar=14.5psi

## LF05

Miniature steam pressure switch



LF05A

LF05

Dimension in:mm



LF05



LF05A

LF05 is a small size and high performance pressure switch, it has the inner construction of SPST connection and silver contact. The switch can be used in circuit control that the max current can be up to 16A. High quality Stainless steel diaphragm is dedicated to control equipment of high temperature and pressure with water vapor. Compact appearance make this switch suitable for devices that have the smaller internal installation space.

### LF05(A) Order Ref NO

LF05(A) - 1

A

A Code	Pressure Setting	A Code	Pressure Setting
LF05-1	1.5+/-0.2 bar	LF05A-1	1.0+/-0.2 bar
LF05-2	2.0+/-0.2 bar	LF05A-2	2.0+/-0.2 bar
LF05-3	2.5+/-0.2 bar	LF05A-3	3.0+/-0.2 bar
LF05-4	3.0+/-0.3 bar	LF05A-4	4.0+/-0.3 bar
LF05-5	4.0+/-0.3 bar	LF05A-5	5.0+/-0.3 bar

### Specification

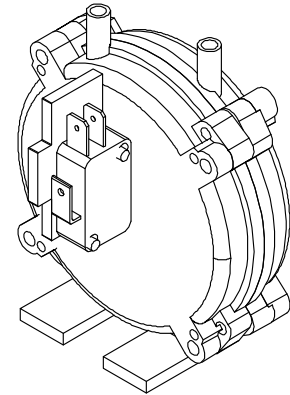
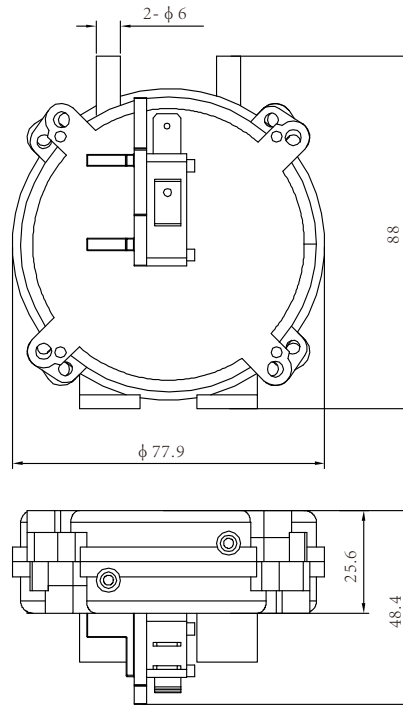
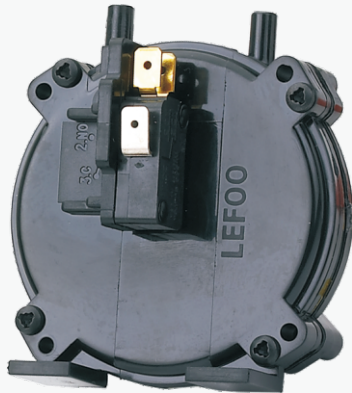
Model	LF05	LF05A
Media	Air, water, water vapor	Air, water, water vapor
Pressure Setting Range	1.5~4.0 bar	1.0~5.0 bar
Max Working Pressure	4.5 bar	5 bar
Proof Pressure	8 bar	10 bar
Working Temperature	Max 125°C	Max 125°C
Contact Arrangement	SPST-NC	SPST-NC
Electrical Rating	16A/250VAC,30,000 cycles	16A/250VAC,50,000 cycles
Terminal	6.35×0.8mm	6.35×0.8mm
Connection	G1/8"male	G1/8"male
Material	Connection: Brass Diaphragm: Stainless steel Contact: Fine Silver	Connection: Brass Diaphragm: Stainless steel Contact: Fine Silver

Conversion: 1bar=14.5psi 1MPa=10bar

www.lefoo.com

# LF30

Air differential pressure switch



Dimension in:mm

The LF30 employs a differential pressure to actuate a precision snap switch at chosen pressure setting. This may be the difference between atmospheric and a negative or positive pressure or between any two given pressures. When a change of pressure occurs between the negative pressure chamber and the positive pressure chamber the main diaphragm activates the snap switch at a pre-determined value.

### LF30 Order Ref NO

LF30 - 4 1 1 1 - P70Pa - 100Pa

**A B C D** Pressure setting in pa:P=Positive V=Vacuum  
ON:100Pa OFF:70Pa

Number	Electrical Rating	Terminals	Mounting/Fixing	Orifice
0	/	/	none	none
1	0.1A,125/250VAC	<b>B</b> 6.3×0.8mm	<b>C</b> with bracket	<b>D</b> with orifice
2	3A,125/250VAC	4.8×0.5mm	/	/
3	5A,125/250VAC	/	/	/
4	<b>A</b> 15A,125/250VAC	/	/	/

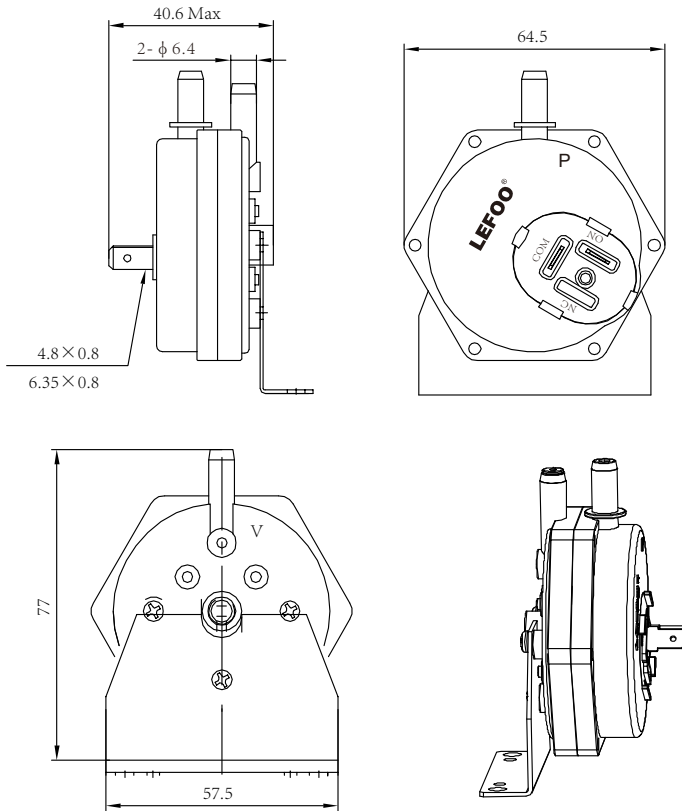
### Specification

Model	LF30
Media	Air,products of combustion or natural gas
Mounting/Fixing	4 screws with maximum penetration depth of 6.3mm into appropriate mounting holes,or fixed with optional bracket
Mounting Position	The LFAS is position sensitive.It may be mounted in most positions provided it has been calibrated
Pressure Range	0.4mbar~8.0mbar make on positive or negative pressure rise.Minimum upper switching pressure 0.4mbar.Minimum lower switching pressure 0.2mbar
Switch Differential	Not less than 0.1mbar and not greater than 0.3mbar depending on pressure settings
Maximum Operating Pressure	10mbar Pmax=50mbar
Operating Temperature Range	105°C Maximum
Electric Rating	0.1A、 5A、 16A、 125/250VAC. other ratings are available on request
Contact Arrangement	SPDT or SPST
Terminal	6.3 or 4.8mm male Q.C. Optional insulation cover available as necessary.
Calibration Tolerance	Standard production tolerance at ambient temperature is ±0.10mbar or ±5% of set point,whichever is the greater.

Conversion: 1mbar=100Pa 1"W.C=249Pa

## LF31

Air differential pressure switch



Dimension in:mm



LF31 switches offer pressure, vacuum and differential models capable of sensing very low setpoints, and switching current up to 5A resistive, 2.5A inductive. Designed for use in the HVAC industry, where reliable air proving is critical to both performance and customer safety. The LF31 is a favorite with leading manufacturers of gas-fired warm air furnaces and water heaters.

### LF31 Order Ref NO

LF31 - S P D 0.05 L / 125 Pa  
**A B C D E F G**

- A Contact Material:** S=Silver,G=GOLD
- B Actuation Mean:** V=Vacuum,P=Positive pressure
- C Contact Arrangement:** S=SPST,D=SPDT
- D Orifice diameter in thing of an inch**
- E Direction of actuation pressure:** L=Increasing,D=Decreasing
- F Set point:** 125,norminal set from 0-3000Pa
- G Unit actuation pressure abbreviated:** in W.C.,psi,Pa,mbar,etc

### Specification

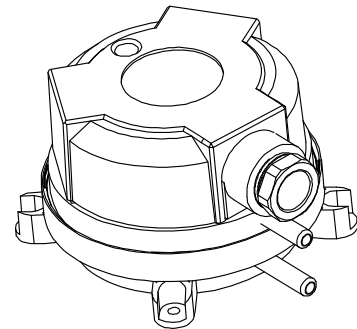
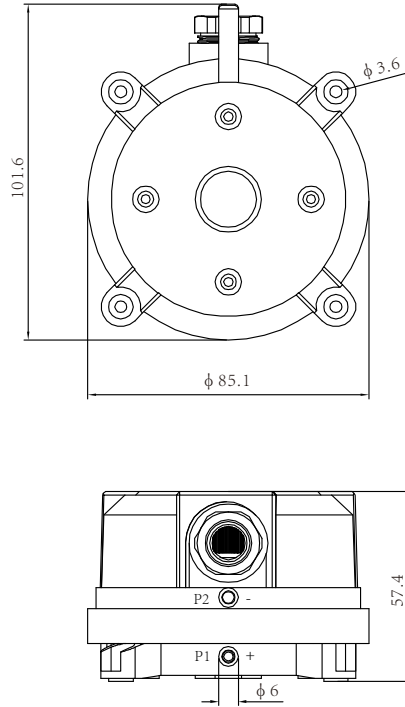
Model	LF31
Media	Air,products of combustion or natural gas
Operating Pressure Range	0.15in W.C. to 34in W.C.
Mounting Position	Diaphragm in any vertical Plane
Proof Pressure	100in W.C.(3.6psi)
Burst Pressure	5psi Minimum
Operating Temperature	-40°C to +85°C
Contact Arrangement	SPSP or SPDT
Electrical Rating	Resistance:initial<50 milliohms Current:100mA minimum,5A(resistive)maximum(fine silver alloy contacts) 15mA minimum,0.5A maximum(gold-platinum-silver alloy contacts)
Termimnal	6.3mm or 4.8mm copper alloy
Connection	Φ6.4mm for tube connection

# LF32

Air differential pressure switch



**LEFOO**



The LF32 is an adjustable differential pressure switch capable of detecting miniscule changes in pressure due to the size and proven design. The switch set point or switching point can be field adjustable without the need of a manometer by simply using the adjustment knob and the built in calibrated visual scale. This switch is equipped a clear cover that not only protects the adjustment knob to be move involuntary but also provides class IP54 protection

Dimension in:mm

## LF32 Pressure Range

Model	Pressure Range	Differential	Tolerances
LF32-02	20-200(Pa)	10(Pa)	≤±15%
LF32-03	30-300(Pa)	10(Pa)	≤±15%
LF32-04	40-400(Pa)	20(Pa)	≤±15%
LF32-05	50-500(Pa)	20(Pa)	≤±15%
LF32-10	200-1000(Pa)	100(Pa)	≤±15%
LF32-25	500-2500(Pa)	150(Pa)	≤±15%
LF32-11	100-1000(Pa)	50(Pa)	≤±15%
LF32-50	1000-5000(Pa)	250(Pa)	≤±15%

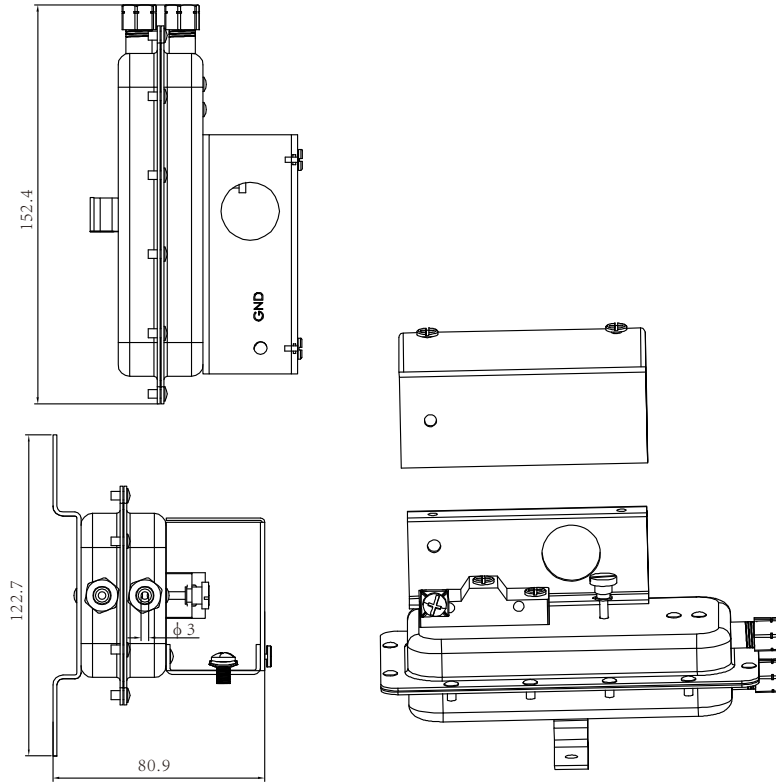
## Specification

Model	LF32
Media	Air, non-combustible and non-aggressive gas
Max Operating Pressure	10kPa
Mounting Position	Diaphragm in any vertical Plane
Degree of protection	IP54(with cover), IP00(without cover)
Operating Temperature	-40°C to +85°C
Contact Arrangement	SPDT
Electrical Rating	Resistance: initial<100 milliohms Current: 1.5A(0.4A)/250V
Terminal	6.3mm×0.8 blade or screw terminal
Connection	Φ6.4mm for tube connection

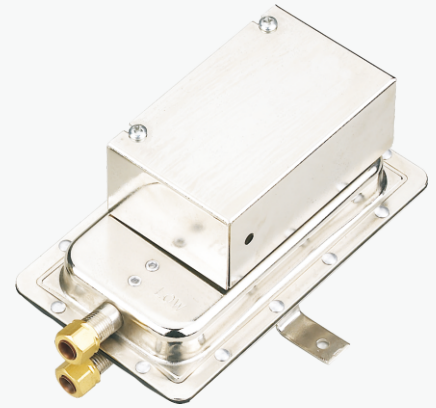
Conversion: 1in W.C.=249Pa 1mbar=100Pa

## LF35

Air differential pressure switch



Dimension in:mm



The LF35 are general purpose airflow proving switches designed for HVAC, detection of blocked filters and fan suction, air flow monitoring in ducts, pipes, tunnels, and other energy management applications. It may be used to sense positive, negative or differential air pressure.

### LF35 Order Ref NO

LF35 - 1 1 A 1 - P0.5mbar

**A B C D** Pressure setting:P0.5mbar P=Positive;V=Vacuum

**A Operating Pressure:** 1=0.5mbar-30mbar;2=0.2mbar-5.0mbar

**B Connection:** 1=accept 0.25"OD rigid or semi-rigid tubing;2=Male 0.25"slip-on connectors,suitable for flexible tubing

**C Mounting/Fixing:** A=Bracket A;B=Bracket B

**D Wire Protecting:** 0=None;1=with protecting on closure

### Specification

Model	LF35-1	LF35-2
Media	Air	
Mounting Position	Diaphragm in any vertical Plane	
Field Adjustable Range	0.5±0.05mbar to 30.0mbar	0.2±0.05mbar to 5.0mbar
Switch Differential	Progressive,increasing from approximately 0.05mabr at minimum set point,to approximately 2.0mbar at maximum set point	Progressive,increasing from approximately 0.05mabr at minimum set point,to approximately 0.25mbar at maximum set point
Maximum Pressure	30mbar	
Operating Temperature	-40°C ~ +82°C	
Electrical Rating	300VA pilot duty at 115-277VAC,10A,non-inductive,277AVC	
Connection	Ferrule and nut compression type connectors that accept 0.25"OD rigid or semi-rigid tubing;male 0.25"slip-on connector	
Contact Arrangement	SPDT	

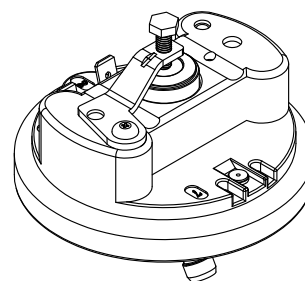
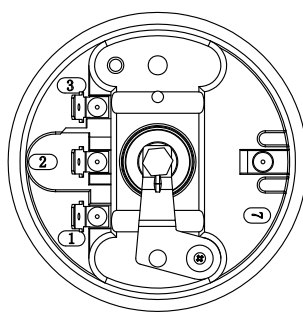
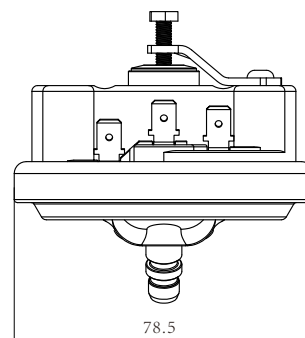
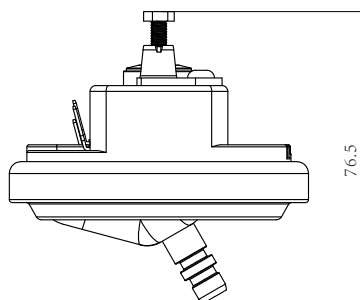
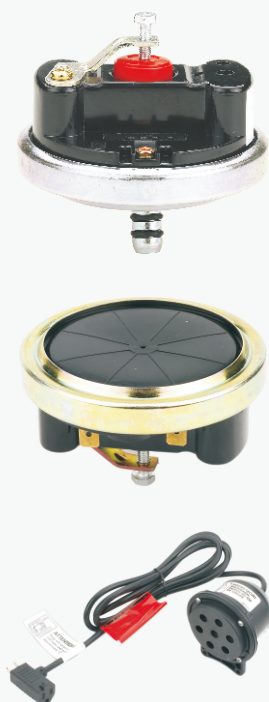
Conversion: 1mbar=100Pa 1"W.C=249Pa

# LF37

Liquid level pressure switch



**LEFOO**



Dimension in:mm

LF37 diaphragm pressure switch is available for various sumps, effluent, and sewage application to control the liquid level. Various switch settings are available for to turn-on or turn-off the pump. The diaphragm pressure sensing design make it more reliable than traditional float ball mechanism. Port connection design make it can sense the pressure without immersing the liquid directly.

## LF37 Order Ref NO

LF37 - 1 1 1 - 4.5" - 6"H<sub>2</sub>O

**A B C** Pressure setting: cut in :6"H<sub>2</sub>O ; cut off : 4.5"H<sub>2</sub>O

Number	Connection Type	Contact Arrangement	Enclosure
0	/	/	none enclosure
1	<b>A</b> Diaphragm	<b>B</b> SPDT	<b>C</b> with enclosure
2	Φ6mm for tube	SPST-NO	/
3	1/4NPT	SPST-NC	/

## Specification

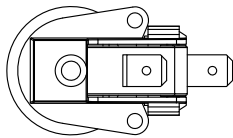
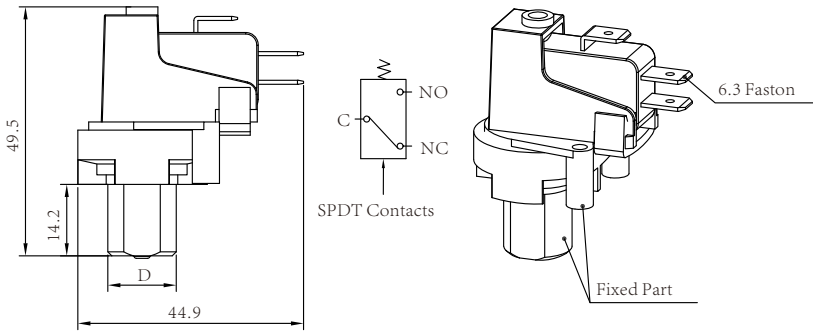
Model	LF37
Media	Air,water or other non-hazardous liquid
Basic function	Diaphragm Pressure switch operation:provide water level signals to appliance control,level value can be set on customer request
Pressure Range liquid level Range	2~60 in W.C.
Proof Pressure	5psi
Contact Type	SPDT,SPST-NC/NO
Electrical Rating	12/13.8A,125VAC 10A,250VAC 1/2HP,125/250VAC 3/4HP,125/250VAC
Ambition Temperature	40°C
Terminal	6.3×0.8 blade

Conversion: 1mbar=100Pa 1"W.C=249Pa



## LF40-01

Air actuated pressure switch



Dimension in:mm



Button



LF40 combination switch box



LF40-01 is provided with a snap action switching for higher current capacity, SPDT contact form and switch deadbands. It can be used together with air button for remote control purpose, which is widely used in food waste disposer, pumps for swimming pools and spas, hot tubs, sanitary equipment, medical equipment etc. Used as a remote control, LF40-01 has two actions, Momentary action and Alternate action.

### LF40-01 Order Ref NO

LF40-01-1 M 1 3 1 -3psi

**A** | **B C D** Set Point(psi):3psi

Action Type:M=Momentary action; A=Alternate action

Number	Connection Type	Body Color	Electrical Rating	Terminal
1	<b>A</b> 4mm OD tube side entry	<b>B</b> white	0.1A,125/250VAC	<b>D</b> 0.25inch blade
2	4mm OD tube+NPT1/4 connection bottom entry	black	3A,125/250VAC	0.187inch blade
3	1/8NPT bottom entry	/	<b>C</b> 5A,125/250VAC	PCB
4	1/8NPT+4mm OD metal tube	/	15A,125/250VAC	/
5	/	/	16A,125/250VAC	/
6	/	/	21A,125/250VAC	/

### Specification

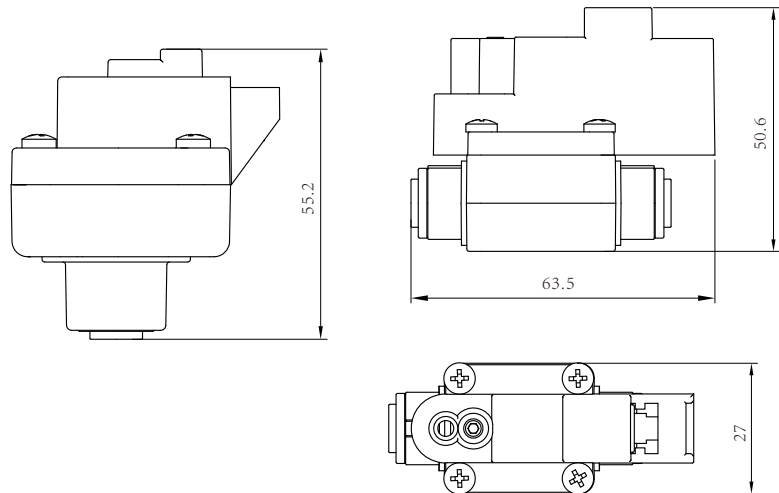
Model	LF40-01
Media	non hazardous gas or liquid
Operating Pressure Range	0.25~15psi for momentary action; 1.0~1.8psi for Alternate action
Proof Pressure	50psi
Operating Temperature Range	-10°C to +85°C
Contact Arrangement	SPST or SPDT
Electrical Rating	0.1A,125/250VAC; 15A,125/250VAC 3A,125/250VAC; 16A,125/250VAC 5A,125/250VAC; 21A,125/250VAC
Terminal	6.3 or 4.8mm male Q.C
Connection	Inlet 4.0mm for tube connection (Optional 1/8" NPT or other fittings are available)

Conversion: 1kgf/cm<sup>2</sup>=14.2psi 1psi=68.95mbar

www.lefoo.com

## LF42

Water dispensers high and low pressure switch



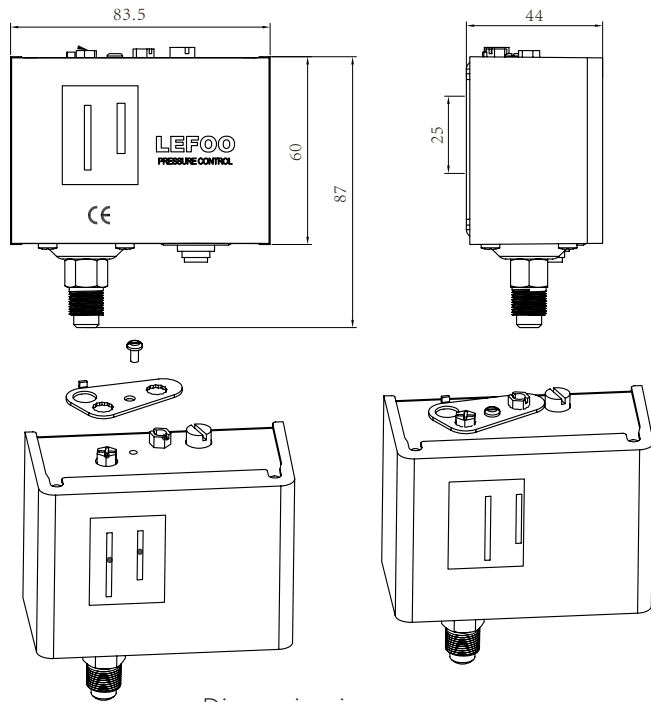
Dimension in:mm

LF42 series pressure switch is used in water supply pressure protection of water inlet. This series include two models LF42H(high pressure protection) and LF42L(low pressure protection). LF42H is the high pressure protection switch model. If the pressure of the pressure vessel transferred reaches the setting value while the vessel is full filled with water, the switch will cut off the circuit to make the pump stop. So the pump will not be damaged. LF42L is the low pressure protection switch. If the pressure of water inlet lower than set value, RO will not work and keep dewatering, then the switch will cut off the circuit to make the pump stop. It can prevent the booster pump still working without water which may lead to the damage of the circuit. If the pressure of the water inlet returns to the lowest set volume, the pump will work again.

### Specification

Model	LF42H	LF42L
Media	water	water
Pressure set range	cut off pressure: 2.5bar±0.5bar cut in pressure: 1.5bar±0.5bar	cut off pressure: ≤0.1 bar cut in pressure: ≥0.2 bar
Proof pressure	18bar	18bar
Durability	>40000 cycles	>40000 cycles
Working temperature	5~45°C	5~45°C
Switch type	Microswitch , normal close	Microswitch , normal open
Electrical rating	Voltage: 250V AC Current: 16A	Voltage: 250V AC Current:16A
Terminal	4.8*0.8 blade	4.8*0.8 blade
Connector	A quarter fast interface	A quarter fast interface

Conversion: 1bar=14.5psi 1MPa=10bar

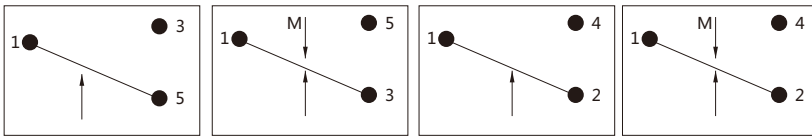


Dimension in:mm



### Contact Function

Arrow means the direction of pressure increasing, M means hand reset



LF55 Series pressure switches are used to control the pressure of compressor in refrigerant system, also available in air or water fluid. This series have quite stable performance with internal micro-switch structure. Standard mounting bracket are provided

### Electrical Function

Rated Amps.(A)\Rated Voltage(V)	125VAC	250VAC	24VDC
Full Load	20A	10A	8A
Locked Rotor	72A	72A	64A
Temperature	-10~120°C		

### Specification

Model	Range(bar)		Differential (bar)		Factory Setting(bar)		Max Operating Pressure(bar)
	Min	Max	Min	Max	OFF	ON	
LF5502	-0.5	2	0.2	0.7	1	0.5	16.5
LF5503	-0.5	3	0.35	1.5	2	1	16.5
LF5506	-0.5	6	0.6	4	3	2	16.5
LF5506M	-0.5	6	Reset Differential ≤1bar		3	Manual Reset	16.5
LF5508	-0.2	7.5	0.7	4	3	2	20
LF5510	1	10	1	3	6	5	16.5
LF5514	2	14	1	4	10	8	20
LF5516	3	16	1	4	10	8	35
LF5520	5	20	2	5	16	13	35
LF5530	8	30	Fixed 3 to 5bar		20	15~17	35
LF5530M	8	30	Reset Differential ≤4bar		20	Manual Reset	35
LF5530D	5	30	3	10	20	15	35
LF5532	8	32	2	6	20	17	35
LF5542	8	42	4	10	30	25	46.5

Conversion: 1kgf/cm<sup>2</sup>=14.2psi 1psi=68.95mbar

Note:Default connection is M12x1.25, if need British connection such as 7/16-20UNF, please add 'E' in the end of the model

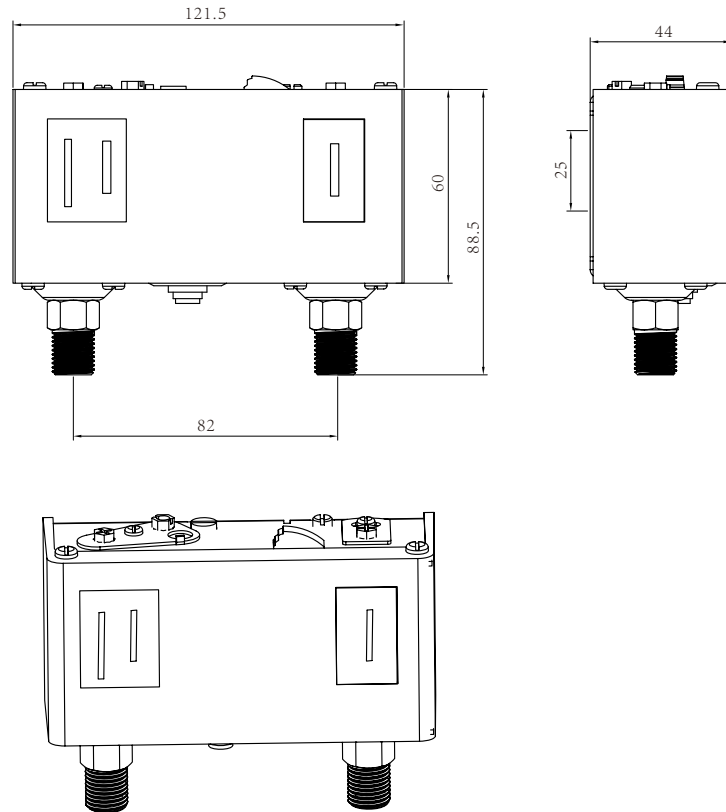
Normally,use English system is screw thread is 7/16-20UNF

# LF58

Pressure switch for refrigeration system



**LEFOO**

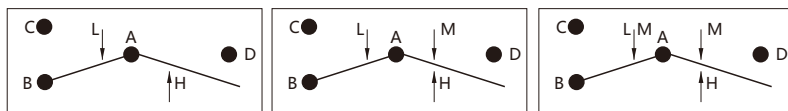


Dimension in:mm

LF58 Dual pressure switches is usually used with fluorinated refrigerants to control the pressure of compressor in refrigerant system. It can also be used in air and water. It provide two pressure set points in one switch.

## Contact Function

Arrow means the direction of pressure increasing, M means hand reset



## Electrical Function

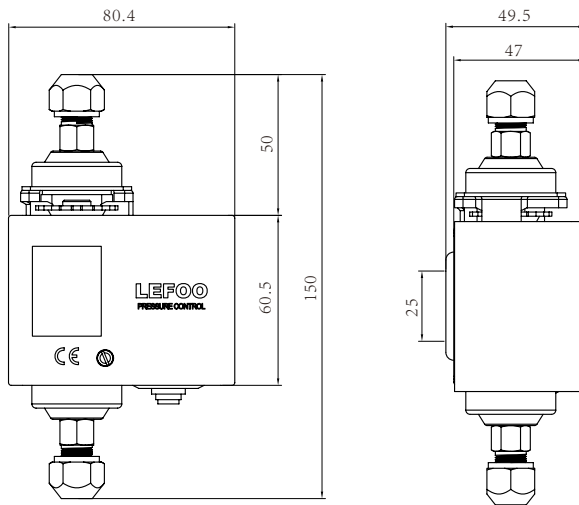
Rated Amps.(A)\Rated Voltage(V)	B-C			D
	125VAC	250VAC	24VDC	250VAC
Full Load	20A	10A	8A	50VA
Locked Rotor	72A	72A	64A	4A
Temperature	-20~110°C			

## Specification

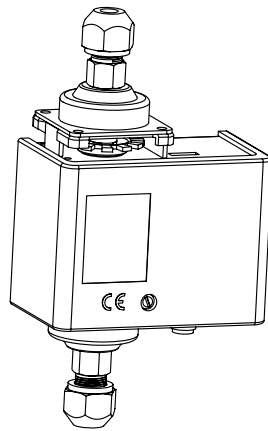
Model	Press Side	Range(bar)		Differential(bar)		Factory Setting(bar)		Max Operating Pressure(bar)
		Min	Max	Min	Max	OFF	ON	
LF5832	Low Side	-0.2	7.5	0.7	4	4	2	20
	High Side	8	32	Fixed 4		20	15	35
LF5832HM	Low Side	-0.2	7.5	0.7	4	4	2	20
	High Side	8	32	Fixed 4		20	Manual Reset	35
LF5832HLM	Low Side	-0.2	7.5	Fixed 4		3	Manual Reset	20
	High Side	8	32	Fixed 4		20	Manual Reset	35

## LF5D

Oil differential pressure switch

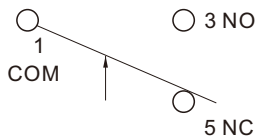


Dimension in:mm



### Contact Function

SPDT



- 1 Common contact
- 1-3 When pressure increase, it's closed
- 1-5 When pressure decrease, it's closed
- ↑ Pressure rise's way

- Notes: 1) When install the pressure switch's connection tube, don't wrong side of high pressure & low pressure.  
 2) When install the pressure switch's connection tube, the screw with the connection must be use two 10" spanner to do it colse.

LF5D series are pressure differential switches which normally used in water or oil fluid to control the pressure differential of the outlet tube and inlet tube. Belowing is one of the typical application: install the valve in the pipeline which near the water(oil) pump, when the pressure differential of the two sides of the system increasing or decreasing and exceed the setting value, the valve will open. Then the system pressure differential will reach to the normal circulate. Both two sides of LF5D series have a high sensitive components, the switch will act to control the system of the equipment such as motor driven valve while the pressure differential changes.

### Electrical Function

Rated Amps.(A)\Rated Voltage(V)	125VAC	250VAC	24VDC
Non-Inductive Current	20A	10A	10A
Full Load	15A	8A	8A
Locked Roter	72A	72A	64A
Temperature	-20~110°C		

### Specification

Model	Differential Adjust range(bar)		Factory Setting(bar)	Max Operating Pressure(bar)
	Min	Max		
LF5D2	0.5	2	0.5	16.5
LF5D4	0.5	3.5	1	16.5
LF5D6	0.5	3.5	1	33
LF5D6H	1	6	1	16.5
LF5D4H	1	6	1	33

Note: Default connection is M12x1.25, if need British connection such as 7/16-20UNF, please add 'E' in the end of the model  
 Normally, use English system is screw thread is 7/16-20UNF

# FS5 Series

Liquid flow switch



FS51

FS52

FS series liquid flow switch is designed for managing the flow changes when the liquid flows in the pipe, such as water, ethylene glycol or other non-hazardous liquids. When the liquid flow is higher or lower than the setting value, the single-pole double-throw contacts (SPDT) can get through one circuit and at meantime to break the other circuit. FS series liquid flow switch is commonly used for chain reaction or "no flow" protection.

## Features

- Max liquid pressure: 1 MPa, can be used in multiple applications.
- There are 3 stainless steel paddles, can be used in 25 to 75mm diameter pipe.
- Number of paddles is changeable and length of paddle is trim-able according to customer requirements.
- With additional 6"paddle, FS series liquid flow switch can be used in 100 to 150mm diameter pipe.
- Adjustable flow setting, Users can set the flow value according to their requirements.
- For user convenience, FS52 flow switch has large room for wiring.
- FS51/FS52 can also be provided with stainless steel connection, which is suitable for ammonia and other medium.

## Application

The typically application is used to protect the cooling system, when the cooling water is off, FS flow switch can shut off the compressor current efficiently in order to protect the freezer and entire system from being damaged.

## Performance Parameter

- Electric load: AC250V 10A
- Max working pressure: 10.34Bar
- Flow temperature: 0-120°C
- Environment temperature: 0-60°C
- The endurance of bellows: 500000 cycles
- Ingress protection: IP53

## Specification (FS flow switch)

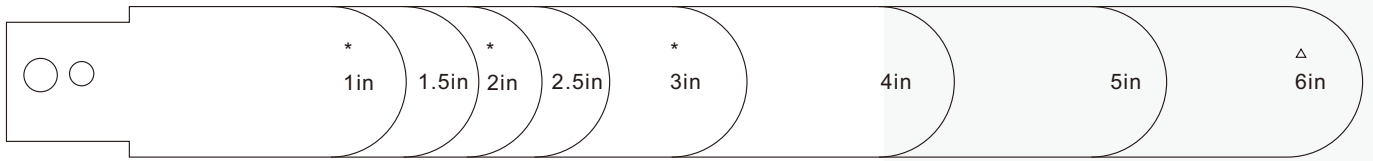
		Actuate flow (m <sup>3</sup> /h)													
Pipe Diameter (mm)		25	32	40	50	65	80	100	125	150	200	100*	125*	150*	200*
Min Adjust ment	Flow increase (red blue closed)	0.95	1.32	1.70	3.11	4.09	6.24	14.8	28.4	43.2	85.2	8.4	12.9	16.8	46.6
	Flow decrease (red yellow closed)	0.57	0.84	1.14	2.16	2.84	4.32	11.4	22.9	35.9	72.7	6.13	9.31	12.26	38.6
Max Adjust ment	Flow increase (red blue closed)	2.0	3.02	4.36	6.6	7.84	12.0	29.1	55.6	85.2	172.6	13.4	26.8	32.7	94.26
	Flow decrease (red yellow closed)	1.93	2.84	4.09	6.13	7.23	11.4	27.7	53.4	81.8	165.8	17.3	25.21	30.66	90.85

- Above flow values are for the reference of choice
- The figures with "\*" symbol are for the 4 paddles flow switch. While, the figures without "\*" symbol are for the 3 paddles (1, 2, 3) flow switch.
- The paddles will be chose according to the flow in the main pipe where the flow switch is installed in.

## Installation

- Pipe connection: FS series flow switch be provided with 1", 1/2", 3/4" NPT connections.
- The arrow direction in the cover must be as same as the flow direction in the pipe.
- The flow switch is suggested to be installed on horizontal pipes, if it have to be on vertical pipes, then the direction in the pipe must be upward flow. It is not allowed to be installed on the vertical lines with downward flow.
- To avoid the paddle damage, flow reversal is not allowed when the flow switch is working.

## The paddle trimming figure



## Attention

- the paddles with " \* " symbol are installed in factory
- the paddle with " Δ " symbol is the additional paddle.(not installed)
- the balance paddles are for trimming
- when install the trimmed paddles, the end of paddle should keep 5--10mm distance from the pipe end and no friction with the pipe

## Order Ref No.

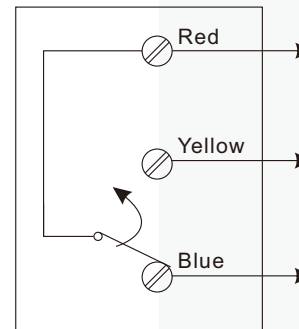
FS51/FS52 - 1 1

- Connection Material: Brass
- Connection size: 1"NPT

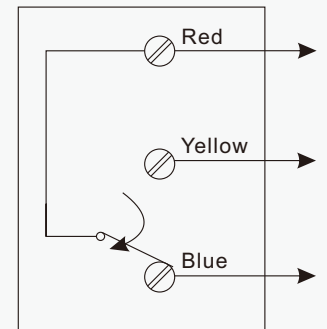
Code	Connection size	Connection Material
1	1"NPT	Brass (for water or other liquids suitable for brass)
2	1/2"NPT	Stainless steel (for ammonia and other liquids suitable for stainless steel)
3	3/4"NPT	

## Wiring diagram

Switch actuate, when the flow increasing and exceed the setting value  
Common terminal

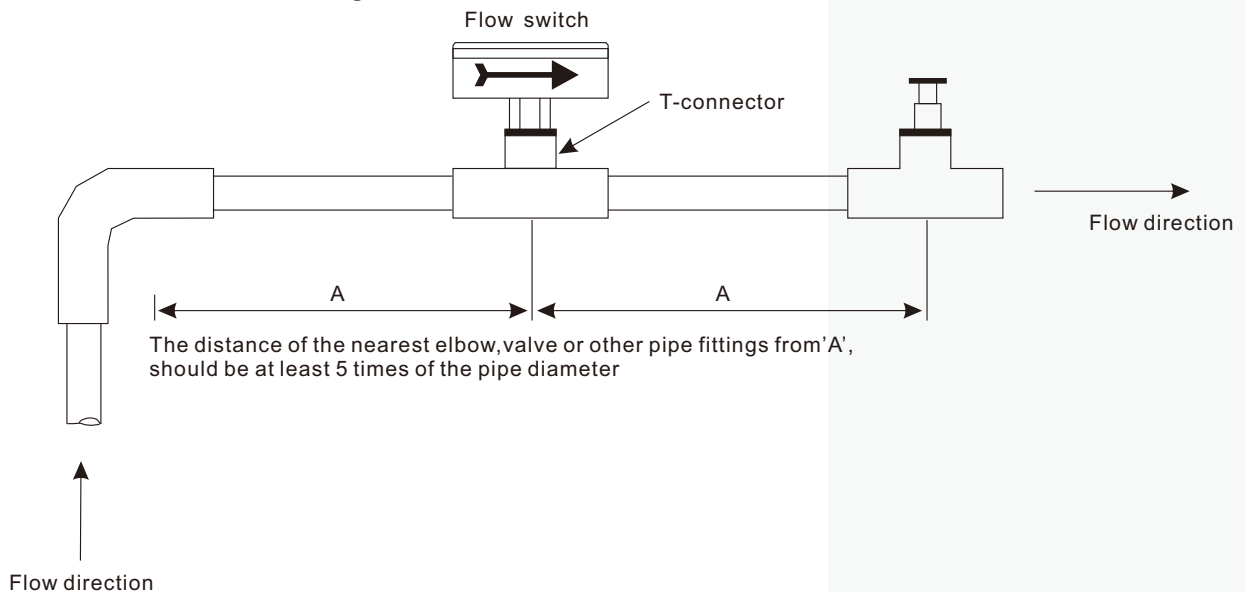


Switch actuate, when the flow decreasing and exceed the setting value  
Common terminal



Range adjusting screw

## Typical installation drawing



# FS211

## Electronic flow switch



### Principle、Structure:

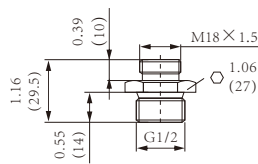
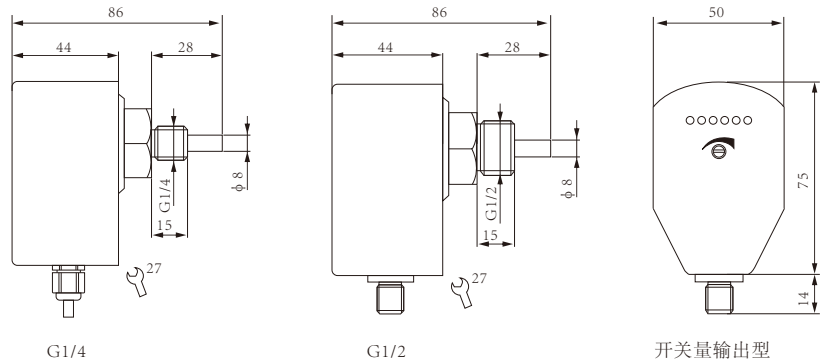
There are two resistors in the enclosed probe based on the thermal principle. One of them is heated as the detection resistor and the other is not heated. As the reference resistance, when the medium flows, the heat on the heating resistor is taken away. The resistance value is changed, the two resistance differences are used as the basis for judging the flow rate.

### Features:

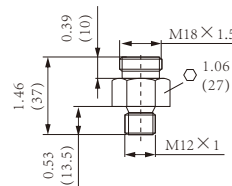
No moving parts, maintenance-free, easy to install, one type can meet a variety of diameter requirements. Switching value is continuously adjustable, very low pressure loss, compact structure, LED display flow trends and switch status.

### Application:

Gas-liquid dual-use type, used for pneumatic and hydraulic systems, circulating water, cutting fluid and lubricating oil flow monitoring, and pump idling protection.

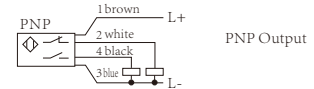


FG12

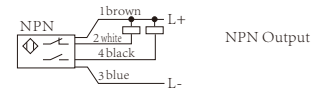


FM12

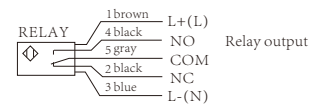
Dimension (unit: mm)



PNP Output



NPN Output



Relay output

### FS211 Order Ref No

FS211-G2-H-D-P-R-Q

1 2 3 4 5 6

1 Pressure Connection	2 Connection Type	3 Power Supply	4 Output	5 Output method	6 Connector Type
G2=G1/2	H=Male	D=VDC24V±20%Power Supply	P=PNP Output	R=NO+NC Output	Q=Socket Connector Type
G4=G1/4			N=NPN Output		
			C=Relay output		

### Socket Connector Order Ref No

ST04-PU-02-F-G

1 2 3 4 5

1 Socket Connector	2 Material	3 Line length	4 Female plug	5 Shape
ST04=M12	PU=PUR	02=2M	F=F	G=Straight type
ET04=M12		05=5M		W=Curved type
		10=10M		

Note: The relay type products need to use 5-pin connector, type and core connector, Just change S (E) T04 to S (E) 05

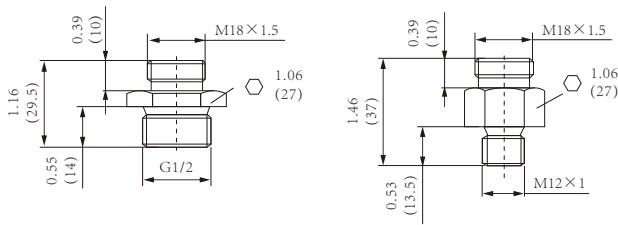
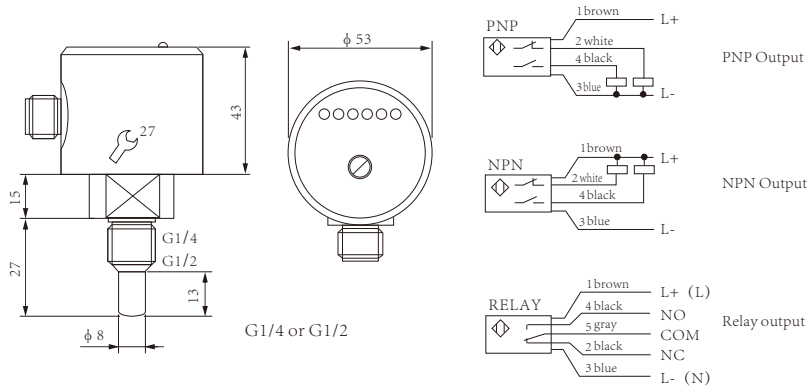
### Specification

Setting Range	1...150cm/s(Water),3...300cm/s(Oil), 20...2000cm/s(Gas)	Initialization time	About 8s
Signal output	PNP, NPN, Relay Type, NO+NC	Electrical protection	Reverse, short circuit, overload protection
Power Supply	24V±20%DC or 230V±15%DC	Protection level	IP67
Turn on current	Max 400mA(PNP, NPN); Max 4A (Relay Type)	Medium temperature	-20~80°C
No-load current	Max 80mA	Ambient temperature	-20~80°C
Flow indication	LED (6pcs)	Storage temperature	-20~100°C
Setting Type	Potentiometer Setting	Connection mode	M12 Socket Connector/Attached 2 meters optional
Proof Pressure Range	100bar	Material	Probe: stainless steel; Housing: PBT
Medium temperature change	≤4°C/s	Weight	About 0.4kg
Response time	1--13s, Typical value 2s		



# FS213

## Electronic flow switch



Dimension (unit: mm)

### Principle, Structure:

There are two resistors in the enclosed probe based on the thermal principle. One of them is heated as the detection resistor and the other is not heated. As the reference resistance, when the medium flows, the heat on the heating resistor is taken away. The resistance value is changed, the two resistance differences are used as the basis for judging the flow rate.

### Features:

No moving parts, maintenance-free, easy to install, one type can meet a variety of diameter requirements. Switching value is continuously adjustable, very low pressure loss, compact structure, LED display flow trends and switch status.

### Application:

Gas-liquid dual-use type, used for pneumatic and hydraulic systems, circulating water, cutting fluid and lubricating oil flow monitoring, and pump idling protection.

### FS213 Order Ref No

FS213-G2-H-D-P-R-Q

1 2 3 4 5 6

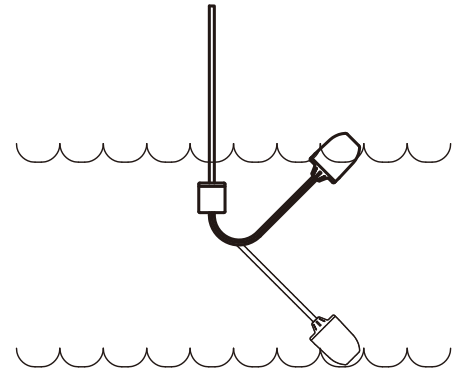
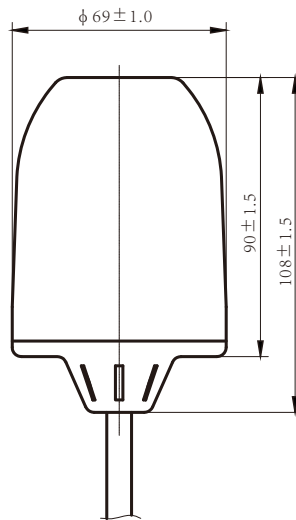
1 Pressure Connection	2 Connection Type	3 Power Supply	4 Output	5 Output method	6 Connector Type
G2=G1/2	H=Male	D=VDC24V±20%Power Supply	P=PNP Output	R=NO+NC Output	Q=Socket Connector Type
G4=G1/4			N=NPN Output		
			C=Relay output		

### Specification

Setting Range	1...150cm/s(Water),3...300cm/s(Oil), 20...2000cm/s(Gas)	Initialization time	About 8s
Signal output	PNP, NPN, Relay Type, NO+NC	Electrical protection	Reverse, short circuit, overload protection
Power Supply	24V±20%DC	Protection level	IP67
Turn on current	Max 400mA(PNP, NPN); Max 1A@24V ac/dc (Relay Type)	Medium temperature	-20~80°C
No-load current	Max 80mA	Ambient temperature	-20~80°C
Flow indication	LED (6pcs)	Storage temperature	-20~80°C
Setting Type	Potentiometer Setting	Connection mode	M12 Socket Connector
Proof Pressure Range	100bar	Material	Probe: stainless steel; Housing: stainless steel
Medium temperature change	≤4°C/s	Weight	About 0.4kg
Response time	1--13s, Typical value 2s		

# FSW1

Float switch



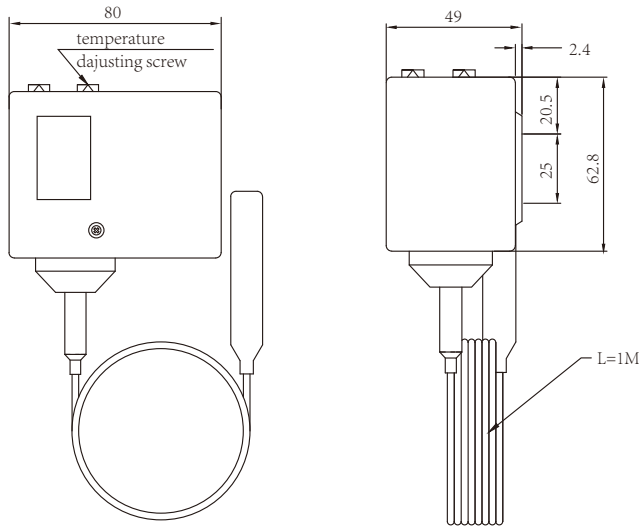
Dimension in: mm

Float switch is a switch that can adjust the liquid level in a barrel, tank or well. It can be adjusted automatically, easy to operate and install, safe and reliable. It is exempted from maintenance and is nontoxic and environmentally friendly. It has resistance to sewage and is widely used in domestic, industrial and mining pools, oil, acid and alkali pools, barrels, tanks, sinks and other containers.

## Specification

Item	FSW1
Switch Type	SPDT
Electric rating	13amp@120/240 VAC 1/2hp
Working temperature	0~90°C Dry, 0~60°C Wet
Fixed way	Heavy hammer 2.51bs
Weight	11bs(Not including heavy hammers)
Cable length	Customized
Media	Sewage
Operating range	Wide-angle pumping range is about 5 inches to 18 inches

## TS Temperature controller



Dimension (unit: mm)



TS series temperature controller can be directly connected to single phase motor under 1KW, or installed in controller circuit of DC motor and large AC motor. TS series temperature controller can match with solenoid valve to control the temperature of the refrigerator. TS series temperature controller is equipped with a SPDT double throw switch. The switching points depend on the setting value of temperature controller and temperature thermometer bulb sense.

### Specification

Model	Adjusting range (°C)	Factory settings (°C)		The highest temperature of thermo-bulb (°C)	Dimension of thermo-bulb (mm)		Working conditions (°C)
		ON	OFF		Length	Diameter	
TS70	-70~-30	-50	-45	45	80	10	TS>TB
TS30	-30~0	-19	-14				
TS15	-15~15	-5	0				
TS40	0~40	17	20	70	120	12	ALL
TS90	40~90	55	60	120			
TS120	70~120	90	95	130			

Note: 1.TS -bulk temperature, TB-the temperature thermo-bulb sense  
2.The length of the standard capillary is 1m.

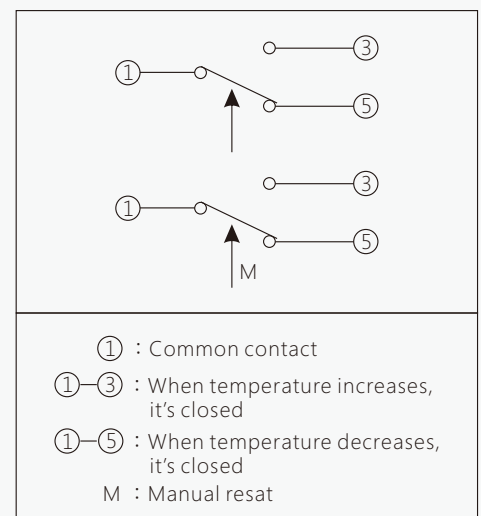
Environment temperature: -20~70

Wire connection: Diameter of wire entrance hole: 15mm

### Electrical Rating

Rated Voltage (V)		Rated Current (A)	
		A.C. 110	A.C. 220
Non-induced current		20A	10A
Induced current	Full load current	15A	8A
	Instantaneous current	72A	

### Contact Form

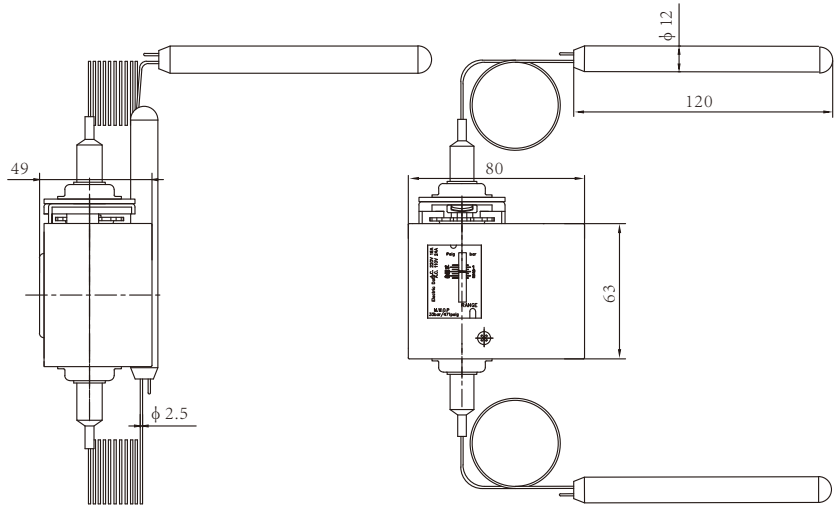


# TSD

## Differential temperature controller



TSD is differential temperature controller has two thermo-bulbs to sense the differential temperature. After comparing the differential temperature with the setting value, the differential temperature controller will putout a differential signal to make the temperature controller work. The differential temperature controller can keep a constant value of differential temperature between two medium in general ventilation and some cooling devices. The two relative thermo-bulbs, one is for temperature reference, the other one is for controlling signals. Differential temperature is directly controlled parameters.



Dimension (unit: mm)

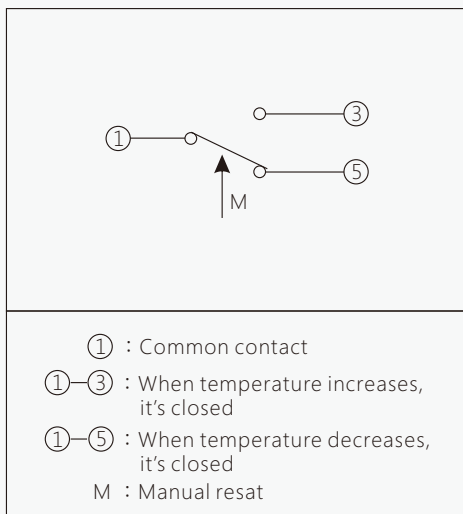
### Specification

Model	Differential temperature setting range	Setting the action differential temperature of the Min. differential temperature	Working temperature range	The highest temperature of thermo-bulb
TSD40	0℃ ~15℃	≤3℃	-25℃ ~40℃	60℃
TSD100	5℃ ~25℃	≤5℃	20℃ ~100℃	150℃

Environment temperature: -20~70

Wire connection: Diameter of wire entrance hole: 15mm

### Contact Form

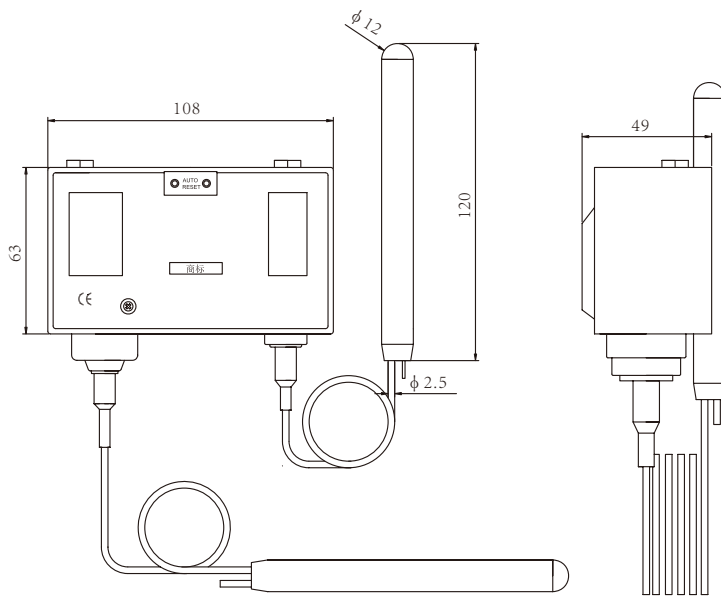


### Electrical Rating

		Rated Voltage (V)	
		A.C.110	A.C.220
Induced current	Rated Current (A)		
	Non-induced current		
	Full load current	20A	10A
	Instantaneous current	72A	

## TSH

### Dual temperature controller



Dimension (unit: mm)



TSH is dual temperature controller with two independent temperature control functions. It's used in refrigeration equipment to prevent high temperature of compressor's discharge, at the same time to ensure proper temperature of compressor oil. One of high temperature thermo-bulb(HT) is put in pipe of compressor discharge, another one(OIL) is in compressor's oil sump. Protective shutdown will be performed when any one of thermo-bulbs is over temperature limit.

### Specification

Model	Low side			High side		
	Temperature setting range	Differential temperature adjustable range	The highest temperature of thermo-bulb	Temperature setting range	Differential temperature adjustable range	The highest temperature of thermo-bulb
TSH160	50°C ~ 110°C	10°C ~ 30°C	130°C	80°C ~ 160°C	≤15°C	180°C
TSH160HM	50°C ~ 110°C	10°C ~ 30°C	130°C	80°C ~ 160°C	Manual reset	180°C
TSH160LHM	50°C ~ 110°C	Manual reset	130°C	80°C ~ 160°C	Manual reset	180°C

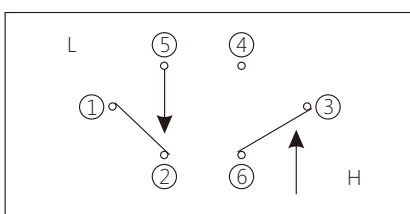
Environment temperature: -20~70

Wire connection: Diameter of wire entrance hole: 15mm

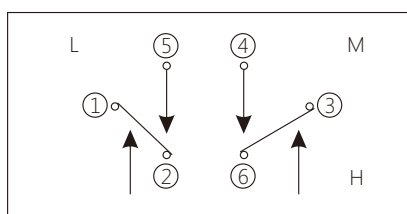
### Electrical Rating

Rated Voltage (V)		A.C.110		A.C.220	
		Rated Current (A)		Rated Current (A)	
Non-induced current		20A		10A	
Induced current	Full load current	15A		8A	
	Instantaneous current	72A			

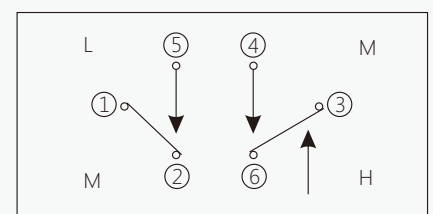
### Contact Form



TSH160



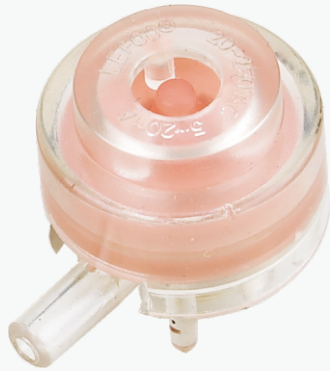
TSH160HM



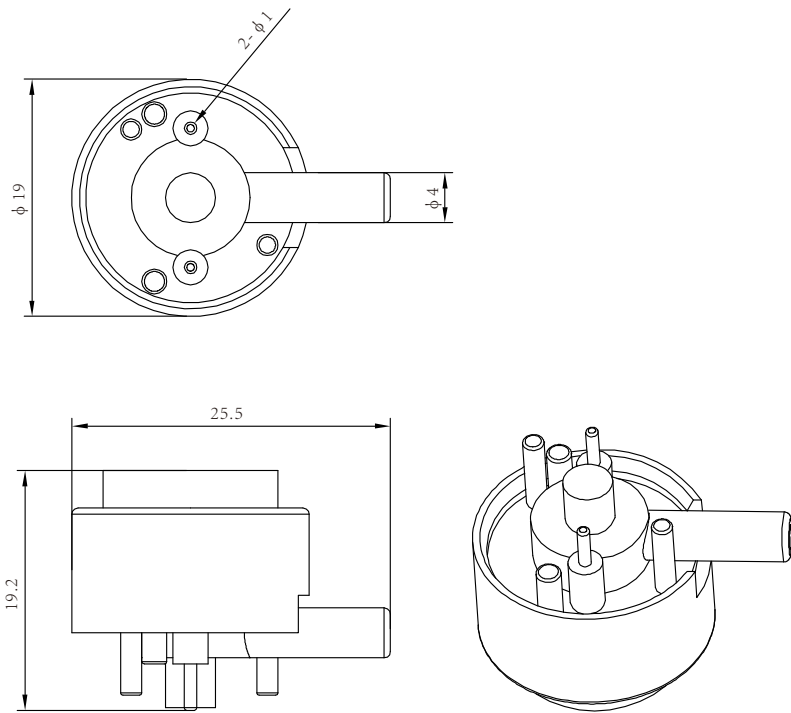
TSH160LHM

# LFS-01

Miniature pressure & vacuum switch



**LEFOO**



Dimension in:mm

LFS-01 vacuum pressure switches can detect both negative and positive pressure, such as the family vacuum cleaner. The switch has many electrical connection types, such as different wire leads, terminals, socket and solder pin connection (special design for the installation of Printed Circuit Boards). It is designed as an economical interface between pressure systems and Printed Circuit Boards with no delay nearby.

## LFS-01 Order Ref NO

LFS - 01 0 0 0 W10 R135 - V90  
**A B C D E F**

**A Connection Type:** D=Pressure & Vacuum Connection ; 0=Vacuum Connection

**B Contact Carrying parts:** 0=Brass Silver Plated ; G=Brass Golden Plated

**C Connection Size:** 0=4mm OD tube

**D Wire Lead:** 0=Without, Wxx=Length of wire lead in inches, i.e. W10=10inch wire lead; Terminal is available on customer's request

**E Inlet Rotation:** 0=Aligned, Rxx=Angle(xx in Degrees) i.e. R135=135°

**F Pressure setting in mbar:** i.e. V90=90mbar vacuum, P90=90mbar positive

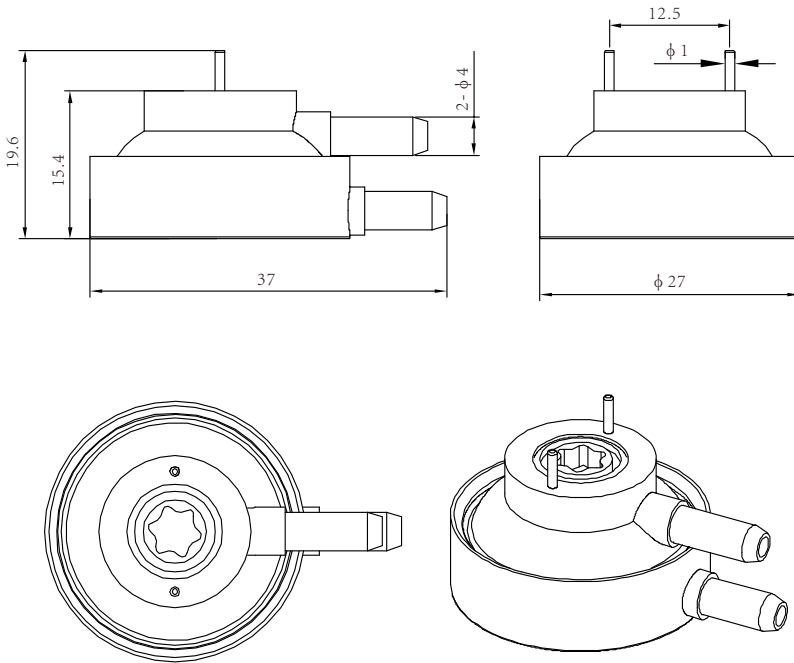
## Specification

Model	LFS-01
Media	Non-hazardous gas only
Electrical Function	1 pole NO
Electrical Rating	20mA, 125/250V~
Ambient Temperature	-10°C to +90°C
Electrical Connection	solder pins 1.0mm, 10mm between away from each other or with different leads and terminals
Pressure Range	Pressure: 10-800mbar; Vacuum: 10-800mbar
Maximum Pressure	1000mbar
Connection	Inlet 4.0mm for tube connection

Conversion: 1mbar=100Pa 1"W.C=249Pa

## LFS-02

Miniature pressure & vacuum switch



Dimension in:mm

### LFS-02 Order Ref NO

LFS - 02 0 0 0 W10 R135 - V90  
**A B C D E F**

**A Connection Type:** D=Pressure & Vacuum Connection ; 0=Vacuum Connection

**B Contact Carrying parts:** 0=Brass Silver Plated ; G=Brass Golden Plated

**C Connection Size:** 0=4mm OD tube ; B=5mm OD tube

**D Wire Lead:** 0=Without,Wxx=Length of wire lead in inches,i.e.W10=10inch wire lead; Terminal is available on customer's request

**E Inlet Rotation:** 0=Aligned, Rxx=Angle(xx in Degrees) i.e.R135=135°

**F Pressure setting in mbar:** i.e. V90=90mbar vacuum, P90=90mbar positive

LFS-02 Pressure Switch is designed as an economical interface between pressure systems and Printed Circuit Boards. This switch can be used as a gauge or differential pressure switch with almost no hysteresis. It is applied to detection both positive and negative pressure. Features of this switch include a body design that allows the pressure ports to be rotated, various terminal styles including wire leads.

### Specification

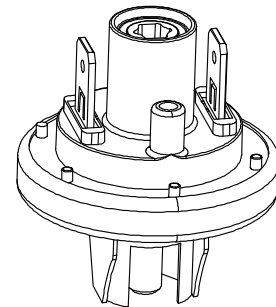
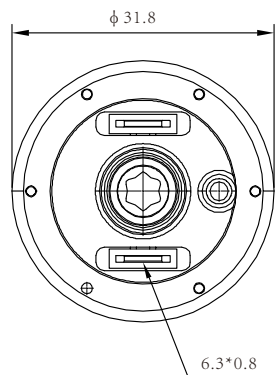
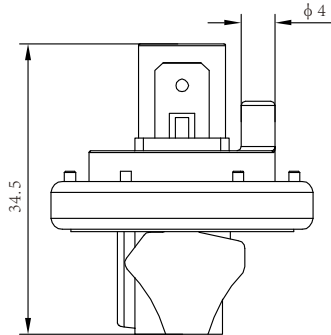
Model	LFS-02
Media	Non-hazardous gas only
Electrical Function	1 pole NO
Electrical Rating	250mA,250V~
Ambient Temperature	-10°C to +90°C
Electrical Connection	solder pins 1.0mm,12.5mm between away from each other or with different leads and terminals
Pressure Range	Pressure: 5-800mbar; Vacuum: 5-800mbar
Maximum Pressure	Pressure: 1000mbar; Vacuum: 1000mbar
Connection	Inlet 4.0mm or 5.0mm for tube connection

Conversion: 1mbar=100Pa 1"W.C=249Pa

www.lefoo.com

# LFS-03

Miniature pressure & vacuum switch



Dimension in:mm

LFS-03 can be applied to detection positive or negative pressure. It can be used as a gauge or differential pressure switch with almost no hysteresis. If 2 switch points are required, 2 pressure switches with different calibrations should be employed. The method of fixing the tab terminals to the switch body does not allow for absolute air sealing. The switch is therefore not recommended for applications where static vacuum has to be maintained. However, special models with additional pressure spring which allow for the vacuum to be connected to the pressure inlet side are available on request.

## LFS-03 Order Ref NO

LFS - 03 0 0 0 W10 R135 - V90  
**A B C D E F**

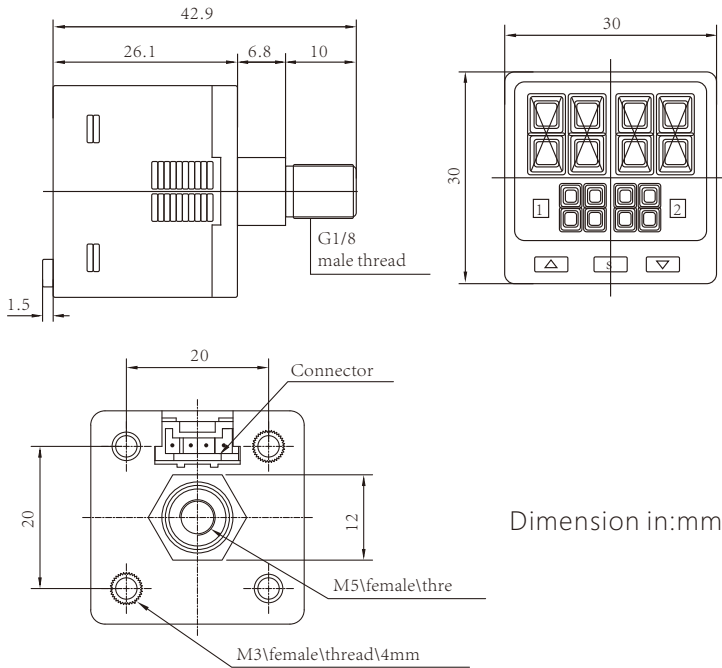
- A Connection Type:** D=Pressure & Vacuum Connection ; 0=Vacuum Connection
- B Contact Carrying parts(Dimension in mm):** 0=Brass Silver Plated ; G=Brass Golden Plated
- C Connection Size:** 0=4mm OD tube (G1/8,NPT1/8,M10×1 Male connection are optional)
- D Wire Lead:** 0=Without,Wxx=Length of wire lead in inches,i.e.W10=10inch wire lead; Terminal is available on customer's request
- E Inlet Rotation:** 0=Aligned,Rxx=Angle(xx in Degrees) i.e.R135=135°
- F Pressure setting in mbar:** i.e. V90=90mbar vacuum, P90=90mbar positive

## Specification

Model	LFS-03
Media	Non-hazardous gas only
Electrical Function	1 pole NO or 1 pole NC
Electrical Rating	250mA ,250V(Pmax:2.5bar)
Ambient Temperature	-10°C to +90°C
Terminal	4.8mm×0.8mm copper alloy
Pressure Range	-15-800mbar
Maximum Pressure	2500mbar
Connection	Inlet 4.0mm for tube connection (Threaded inlet M10×1, NPT1/8 or G1/8 Male)

Conversion: 1mbar=100Pa 1"W.C=249Pa





Dimension in:mm

## LFDS10 Series

High-precision digital pressure switch



LFDS101/LFDS102 Series can measure the pressure with high reliability sensor. After processing by the back-end circuit, the signal will be converted into a standard industrial electrical signal. Then it will be output and displayed. These products have plastic shell design, high contrast, double screen digital display LCD. So this series of products can be used in various industrial applications. The product with 3 key design and user friendly menu will be more convenient to use. Different connections can fully meet the specific installation requirements. Users can adjust the working parameters of built-in set items. That is very flexible and convenient. The characteristics of this series are Shock resistant, long service life, simple operation and clear display.

### LFDS101(2) Order Ref NO

LFDS101 - S - E - N - W  
A B C D E

A Pressure Range	B Output characters (Note1)	C Connection Type	D Switching value type	E Special status (Note2)
1=High pressure type(-100~1000kPa)	S=Standard type	R=R1\8+M5 Female screw	N=NPN	W=No
2=Low pressure type(-100~100kPa)	A=Current output type	E=G1\8+ M5 Female screw	P=PNP	X=Special specification
	V=Voltage output type	M=M5 Female screw		J=Customized

Note 1: Standard type: 2 switch interface(PNP or NPN); Current type: 1 switch interface (PNP or NPN)+1analogue(4-20mA); Voltage type: 1switch interface(PNP or NPN)+1 analogue(1-5V).

Note 2: Any question, please contact us.

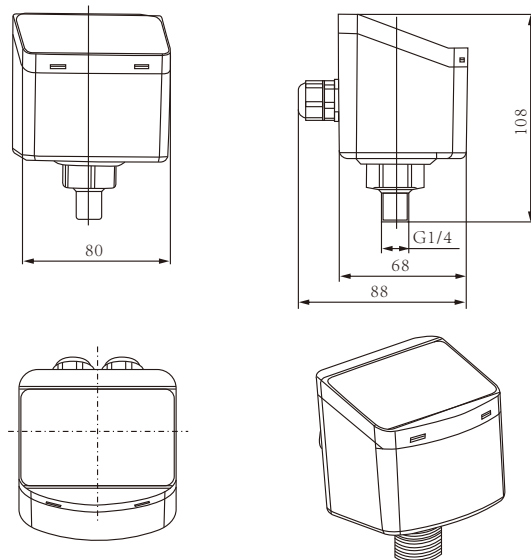
### Specification

Item\Model	LFDS102	LFDS101
Pressure Type	Standard pressure	
Pressure Range	(-100~100kPa)	(-100~1000kPa)
Proof Pressure	3 times	1.5 times
Media	Non-hazardous gas only	
Rated voltage	12~24VDC	
Current Consumption	<20mA (when no load)	
Switch output	<NPN Output type> : NPN open collector transistor, Max current: 100mA, Pressure drop: <1.5V <PNP Output type>: PNP open collector transistor, Max current: 100mA, Pressure drop: <1.5V	
Output Setting	NO/NC	
Hysteresis	1-8 level (Default 3 level)	
Repeatability	±0.3%F.S	
Comprehensive precision	±1%F.S	
Response Time	2.5\5\10\25\250\500\1000\5000ms	
Analog voltage output	1-5V±5% (Limit for current output type)	
Analog current output	4-20mA±5% (Limit for voltage output type)	
Storage Temperature	-10~60℃	
Operating Temperature	0~50℃	
Temperature Character	±2.5%F.S	
Enclosure	CN-14A-C2(with connector cable,2m)	

Conversion: 1kgf/cm<sup>2</sup>=14.2psi 1bar=14.5psi

## LFDS63 Series

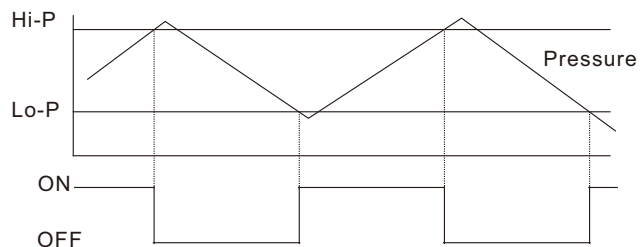
Digital pressure controller



Dimension in:mm

LFDS63(630/631/632) series is made by high-reliability sensor to measure pressure. After disposed by back-end circuit, the signal shows on displayer and automatically control relay output when pressure changes. With design of engineering plastic shell and high-contrast LCD displayer, this series product can be used in various industrial fields. Kinds of connection types can meet different installation requirements. User can adjust parameters freely, with variety of settings built-in, it's flexible and convenient. LFDS63(630/631/632) series is with features of anti-vibration, long lifetime, easy operation, high stability and clear display.

### Relay working mode



Hi-P:OFF pressure value      Lo-P:ON pressure value  
 The Controller will monitor pressure in container in real time, to control pressure by ON/OFF setting.  
 User also can use manual set to change parameters and lock protection (refer to operating instruction).

### LFDS63 Series Order Ref NO

LFDS630-S-T-R

A B C D

A Pressure range	B Output	C Special function	D Connection
2=Mid-pressure(0~2.0MPa)	No code(default)=Single AC220V output	No code(default)=No	No=G1/4
1=Low-pressure(0~1.0MPa)	S=Single reay switch output	T=Intelligent time control	N=NPT1/4
0=Vacuum(-101.3~10.KPa)	D=Double relay switch output		R=R1/4

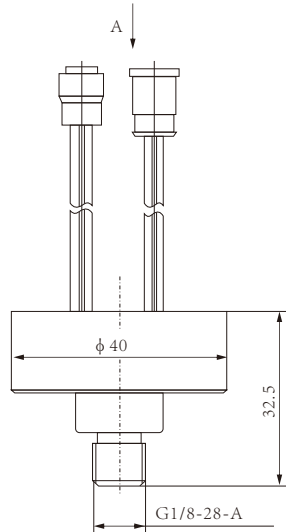
### Specification

Item\Model	Vacuum	Low-pressure	Mid-pressure
Pressure Range	-101.3~10kPa	0~1MPa	0~2MPa
Proof pressure	1.5 times	2 times	
Medium	Air, noncorrosive gas and oil, water		
Rated working voltage	220VAC		
Power Consumption	1.3W(No Load)		
Load	200VAC 10A(Max)		
IP class	IP52		
Connection	G1/4, R1/4, NPT1/4		
Accuracy	±1%F.S		
Storage temperature	-10~60℃		
Operation temperature	-10~50℃		
Dimension	80*88*110mm(with connection)		

Conversion: 1kgf/cm<sup>2</sup>=14.2psi 1bar=14.5psi

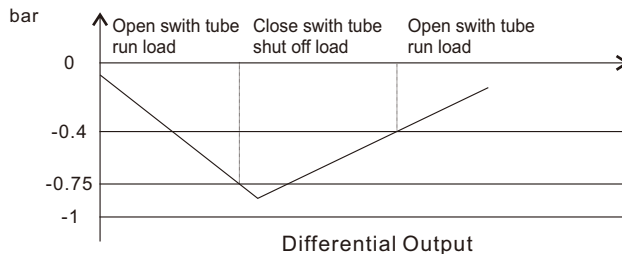
# LFDS704

Electronic pressure switch

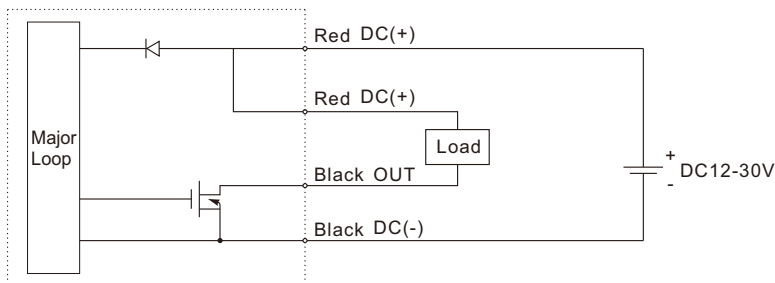


## Operating Logic

Switch tube output: differential output, pressure reduces from 0bar to -0.75bar, in the process switch tube ON, load operates, when lower than -0.75bar, switch tube OFF, load stops, when pressure up to -0.4bar switch tube works again.



## Output



LFDS704 is widely used in vacuum pump control system of electric cars, diesel vehicle and gasoline vehicles. LFDS704 has internal MEMS pressure sensor, by collecting warming and comparing of pressure signal to realize the switch tube output of special pressure point. The product uses pressure sensor that is absolute pressure type, the accuracy will not affect by atmosphere, which can be used in any altitude. The product has differential output, which reduces the risk of lifespan cutting of controlled device for frequent action nearby critical point.

## Specification

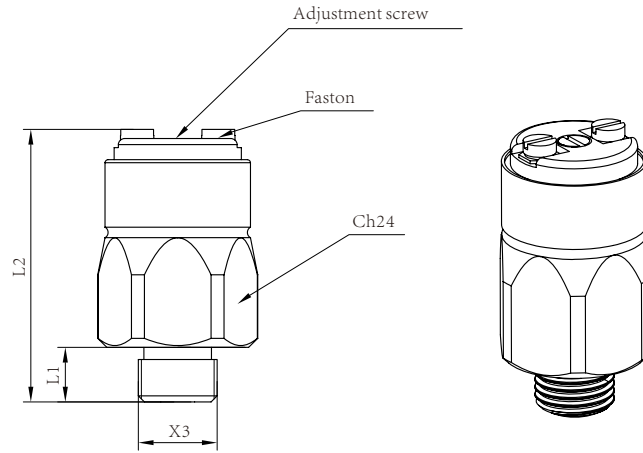
Model	LFDS704
Measurement Range	-1.0~0bar
Accuracy	±2.0% FS
Overload Pressure	Measurement Range×2
Bursting Pressure	Measurement Range×4
Media	Air and Non hazardous gas
Output	Switch tube output
Pressure Type	Absolute Pressure
Working Temperature	-40~120℃
Compensation Temperature	-20~85℃
Power Supply	12~30VDC
Operating Life	>1000000 times
Response Time	20ms
Protection Grade	IP66
Shell Material	Al6061
Pressure Connection	G1/8
Output Driving Capability	≤20.0A
Max Duration	18s

Conversion: 1kgf/cm<sup>2</sup>=14.2psi 1bar=14.5psi

# LF701A

High pressure switch

**LEFOO**



Dimension in:mm

## LF701A Order Ref NO

Diaphragm type pressure switch with M3 screw terminal and 300bar of maximum safety pressure

LF701A - 2 1 1 1 1 1 2  
A B C D E F G

45

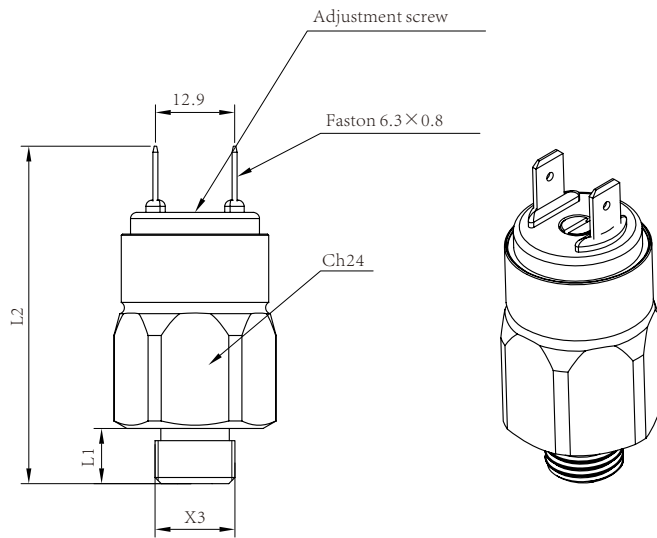
Number	Connection (X3)	L1	L2	Diaphragm	Body Material	Circuitry	Pressure Range	Tolerance
1	G1/8	B 9	C 45	D NBR	E Zinc-plated Steel	F NO	0.1-1bar	±0.2bar
2	A NPT1/8	9	45	FKM	Stainless Steel	NC	G 1-5bar	±0.3bar
3	M10×1	9	45	EPDM	/	/	1-10bar	±0.5bar
4	UNF7/16	9	45	HNBR	/	/	10-20bar	±1bar
5	G1/4	9	45	/	/	/	20-50bar	±2bar
6	NPT1/4	9	45	/	/	/	/	/
7	G1/2	12	48	/	/	/	/	/

## Specification

Model	LF701A
Body	Zinc-plated Steel/Stainless Steel
Contact	Silver cadmium alloy, can be gold plated
Max Voltage	42V
Max Current	4A
Working Temperature Range	-40°C ~ +100°C (based on different diaphragm)
Life Endurance	10 <sup>6</sup>
Electrical Life Endurance	10 <sup>5</sup>
Pollution Situation	Normal
IP Level	IP00(without cover)
With Cover	IP54(rubber cover)
With Cover	IP67(potting resin cover)
Applicable Rule	EN 60730-1
Max Working Pressure	150bar
Burst Pressure	300bar
Weight	~85gr

Conversion: 1kgf/cm<sup>2</sup>=14.2psi 1bar=14.5psi

## LF701B High pressure switch



Dimension in:mm



### LF701B Order Ref NO

LF701B - 2 1 1 1 1 1 2  
A B C D E F G

Diaphragm type pressure switch with 6.4mm plug terminal and 300bar of maximum safety pressure

Number	Connection (X3)	L1	L2	Diaphragm	Body Material	Circuitry	Pressure Range	Tolerance
1	G1/8	B 9	C 55	D NBR	E Zinc-plated Steel	F NO	0.1-1bar	±0.2bar
2	A NPT1/8	9	55	FKM	Stainless Steel	NC	G 1-5bar	±0.3bar
3	M10×1	9	55	EPDM	/	/	1-10bar	±0.5bar
4	UNF7/16	9	55	HNBR	/	/	10-20bar	±1bar
5	G1/4	9	55	/	/	/	20-50bar	±2bar
6	NPT1/4	9	55	/	/	/	/	/
7	G1/2	12	58	/	/	/	/	/

### Specification

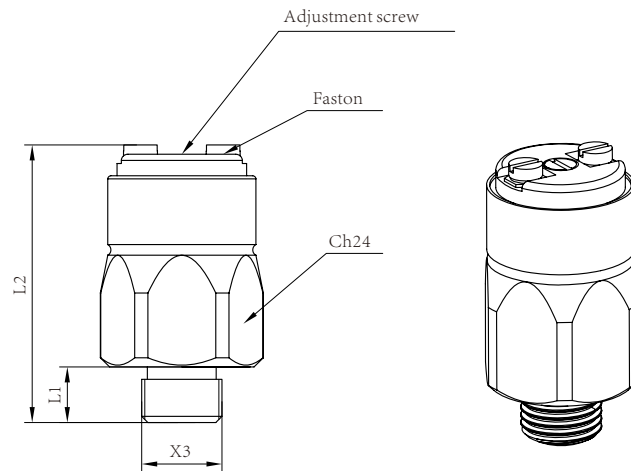
Model	LF701B
Body	Zinc-plated Steel/Stainless Steel
Contact	Silver cadmium alloy, can be gold plated
Max Voltage	42V
Max Currency	4A
Working Temperature Range	-40°C~+100°C (baesd on different diaphragm)
Life Endurance	10 <sup>6</sup>
Electrical Life Endurance	10 <sup>5</sup>
Pollution Situation	Normal
IP Level	IP00(without cover)
With Cover	IP54(rubber cover)
With Cover	IP67(potting resin cover)
Applicable Rule	EN 60730-1
Max Working Pressure	150bar
Burst Perssure	300bar
Weight	~85gr

Conversion: 1kgf/cm<sup>2</sup>=14.2psi 1bar=14.5psi

# LF702A

High pressure switch

**LEFOO**



Dimension in:mm

## LF702A Order Ref NO

Piston type pressure switch with M3 screw terminal and 600bar of maximum safety pressure

LF702A - 2 1 1 1 1 1 1

A B C D E F G

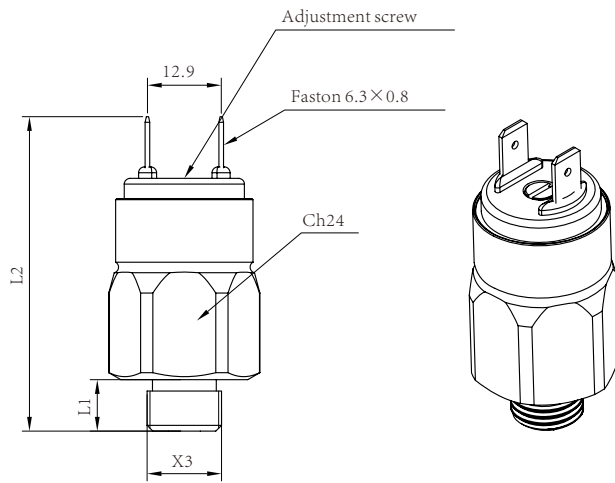
Number	Connection (X3)	L1	L2	O" Ring	Body Material	Circuitry	Pressure Range	Tolerance
1	G1/8	B 9	C 45	D NBR	E Zinc-plated Steel	F NO	G 50-150bar	±10bar
2	A NPT1/8	9	45	FKM	Stainless Steel	NC	100-200bar	±15bar
3	M10×1	9	45	EPDM	/	/	/	/
4	UNF7/16	9	45	HNBR	/	/	/	/
5	G1/4	9	45	/	/	/	/	/
6	NPT1/4	9	45	/	/	/	/	/
7	G1/2	12	48	/	/	/	/	/

## Specification

Model	LF702A
Body	Zinc-plated Steel/Stainless Steel
Contact	Silver cadmium alloy, can be gold plated
Max Voltage	42V
Max Currency	4A
Working Temperature Range	-40°C~+100°C (baesd on different diaphragm)
Life Endurance	10 <sup>6</sup>
Electrical Life Endurance	10 <sup>5</sup>
Pollution Situation	Normal
IP Level	IP00(without cover)
With Cover	IP54(rubber cover)
With Cover	IP67(potting resin cover)
Applicable Rule	EN60730-1
Max Working Pressure	450bar
Burst Perssure	600bar
Weight	~85gr

Conversion: 1kgf/cm<sup>2</sup>=14.2psi 1bar=14.5psi

## LF702B High pressure switch



Dimension in:mm



### LF702B Order Ref NO

LF702B - 2 1 1 1 1 1 1

A B C D E F G

Piston type pressure switch with 6.4mm plug terminal and 600bar of maximum safety pressure

Number	Connection (X3)	L1	L2	O" Ring	Body Material	Circuitry	Pressure Range	Tolerance
1	G1/8	<b>B</b> 9	<b>C</b> 55	<b>D</b> NBR	<b>E</b> Zinc-plated Steel	<b>F</b> NO	<b>G</b> 50-150bar	±10bar
2	<b>A</b> NPT1/8	9	55	FKM	Stainless Steel	NC	100-200bar	±15bar
3	M10×1	9	55	EPDM	/	/	/	/
4	UNF7/16	9	55	HNBR	/	/	/	/
5	G1/4	9	55	/	/	/	/	/
6	NPT1/4	9	55	/	/	/	/	/
7	G1/2	12	58	/	/	/	/	/

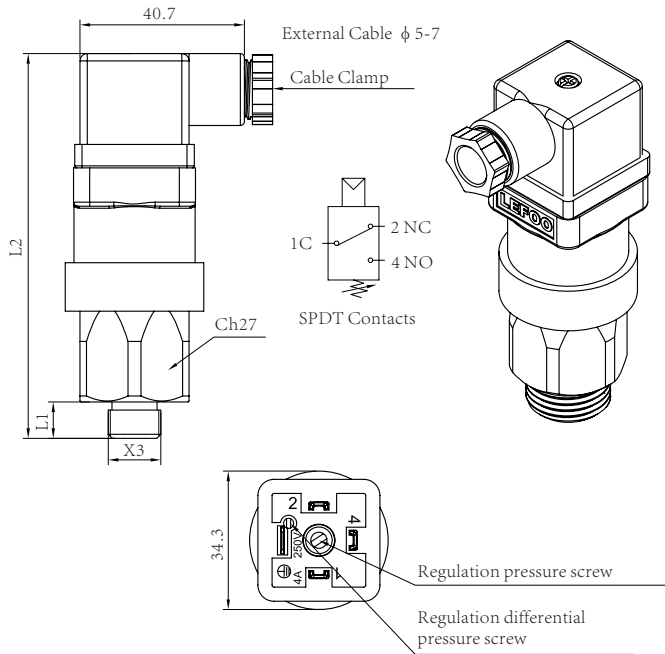
### Specification

Model	LF702B
Body	Zinc-plated Steel/Stainless Steel
Contact	Silver cadmium alloy, can be gold plated
Max Voltage	42V
Max Currency	4A
Working Temperature Range	-40°C ~ +100°C (baesd on different diaphragm)
Life Endurance	10 <sup>6</sup>
Electrical Life Endurance	10 <sup>5</sup>
Pollution Situation	Normal
IP Level	IP00(without cover)
With Cover	IP54(rubber cover)
With Cover	IP67(potting resin cover)
Applicable Rule	EN 60730-1
Max Working Pressure	450bar
Burst Perssure	600bar
Weight	~85gr

Conversion: 1kgf/cm<sup>2</sup>=14.2psi 1bar=14.5psi

# LF703

High pressure switch



Dimension in:mm

Diaphragm type pressure switch with DIN 43650-A Hirschmann connection, SPDT and 300bar of maximum safety pressure

## LF703 Order Ref NO

LF703 - 2 1 1 1 1 1 1  
A B C D E F G

Number	Connection (X3)	L1	L2	Diaphragm	Body Material	Circuitry	Pressure Range	Tolerance
1	G1/8	B 9	C 95	D NBR	E Zinc-plated Steel	F NO	G 1-5bar	±0.3bar
2	A NPT1/8	9	95	FKM	Stainless Steel	NC	1-10bar	±0.5bar
3	M10×1	9	95	EPDM	/	/	10-20bar	±1bar
4	UNF7/16	9	95	HNBR	/	/	20-50bar	±2bar
5	G1/4	9	95	/	/	/	/	/
6	NPT1/4	9	95	/	/	/	/	/
7	G1/2	12	98	/	/	/	/	/

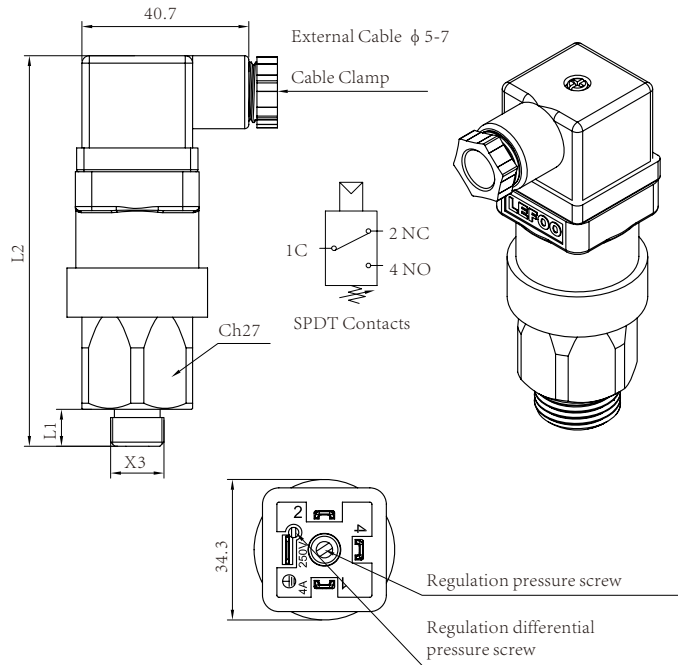
## Specification

Model	LF703
Body	Zinc-plated Steel/Stainless Steel
Contact	Silver cadmium alloy, can be gold plated
Max Voltage	250VAC/24VDC
Max Currency	4A
Working Temperature Range	-40°C ~ +100°C (baesd on different diaphragm)
Life Endurance	10 <sup>6</sup>
Electrical Life Endurance	10 <sup>5</sup>
Pollution Situation	Normal
IP Level	IP65
Applicable Rule	EN 60730-1
Max Working Pressure	150bar
Burst Perssure	300bar
Weight	~140gr

Conversion: 1kgf/cm<sup>2</sup>=14.2psi 1bar=14.5psi



## LF704 High pressure switch



Dimension in:mm



### LF704 Order Ref NO

LF704 - 2 1 1 1 1 1 1  
A B C D E F G

Piston type pressure switch with DIN 43650-A Hirschmann connection, SPDT and 600bar of maximum safety pressure

Number	Connection (X3)	L1	L2	Diaphragm	Body Material	Circuitry	Pressure Range	Tolerance
1	G1/8	B 9	C 95	D NBR	E Zinc-plated Steel	F NO	G 50-150bar	±10bar
2	A NPT1/8	9	95	FKM	Stainless Steel	NC	100-200bar	±15bar
3	M10×1	9	95	EPDM	/	/	/	/
4	UNF7/16	9	95	HNBR	/	/	/	/
5	G1/4	9	95	/	/	/	/	/
6	NPT1/4	9	95	/	/	/	/	/
7	G1/2	12	98	/	/	/	/	/

### Specification

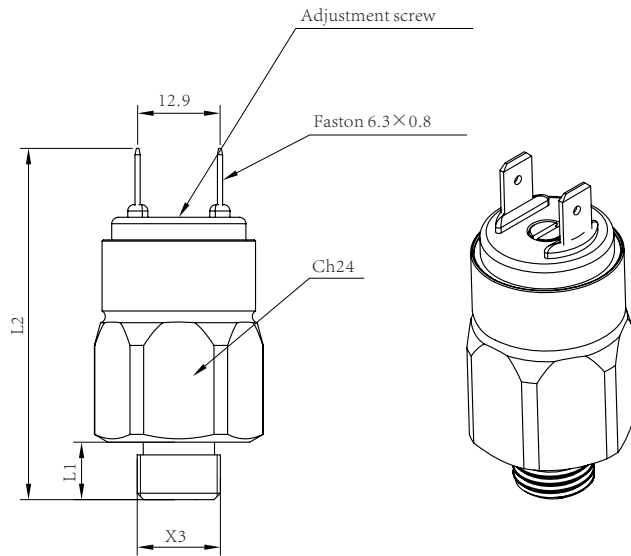
Model	LF704
Body	Zinc-plated Steel/Stainless Steel
Contact	Silver cadmium alloy, can be gold plated
Max Voltage	250VAC/24VDC
Max Currency	4A
Working Temperature Range	-40°C ~ +100°C (baesd on different diaphragm)
Life Endurance	10 <sup>6</sup>
Electrical Life Endurance	10 <sup>5</sup>
Pollution Situation	Normal
IP Level	IP65
Applicable Rule	EN 60730-1
Max Working Pressure	450bar
Burst Perssure	600bar
Weight	~140gr

Conversion: 1kgf/cm<sup>2</sup>=14.2psi 1bar=14.5psi

# LF705

High pressure switch

**LEFOO**



Dimension in:mm

Diaphragm type pressure switch with 6.4mm plug terminal, brass body and 80bar of maximum safety pressure

## LF705 Order Ref NO

LF705 - 2 1 1 1 1 2

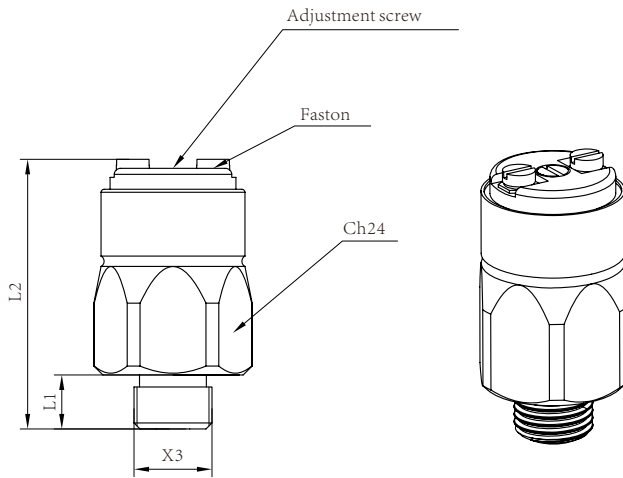
A B C D E F

Number	Connection (X3)	L1	L2	Diaphragm	Circuitry	Pressure Range	Tolerance
1	G1/8	B 9	C 55	D NBR	E NO	0.1-1bar	±0.2bar
2	A NPT1/8	9	55	FKM	NC	F 1-5bar	±0.3bar
3	M10×1	9	55	EPDM	/	1-10bar	±0.5bar
4	UNF7/16	9	55	HNBR	/	10-20bar	±1bar
5	G1/4	9	55	/	/	/	/
6	NPT1/4	9	55	/	/	/	/
7	G1/2	12	58	/	/	/	/

## Specification

Model	LF705
Body	Brass
Contact	Silver cadmium alloy, can be gold plated
Max Voltage	42V
Max Current	4A
Working Temperature Range	-40°C ~ +100°C (based on different diaphragm)
Life Endurance	10 <sup>6</sup>
Electrical Life Endurance	10 <sup>5</sup>
Pollution Situation	Normal
IP Level	IP00(without cover)
With Cover	IP54(rubber cover)
With Cover	IP67(potting resin cover)
Applicable Rule	EN 60730-1
Max Working Pressure	40bar
Burst Pressure	80bar
Weight	~85gr

Conversion: 1kgf/cm<sup>2</sup>=14.2psi 1bar=14.5psi



Dimension in:mm



## LF705A Order Ref NO

LF705A - 2 1 1 1 1 2

**A B C D E F**

Diaphragm type pressure switch with screw terminal, brass body and 80bar of maximum safety pressure

Number	Connection (X3)	L1	L2	Diaphragm	Circuitry	Pressure Range	Tolerance
1	G1/8	<b>B</b> 9	<b>C</b> 45	<b>D</b> NBR	<b>E</b> NO	0.1-1bar	±0.2bar
2	<b>A</b> NPT1/8	9	45	FKM	NC	<b>F</b> 1-5bar	±0.3bar
3	M10×1	9	45	EPDM	/	1-10bar	±0.5bar
4	UNF7/16	9	45	HNBR	/	10-20bar	±1bar
5	G1/4	9	45	/	/	/	/
6	NPT1/4	9	45	/	/	/	/
7	G1/2	12	48	/	/	/	/

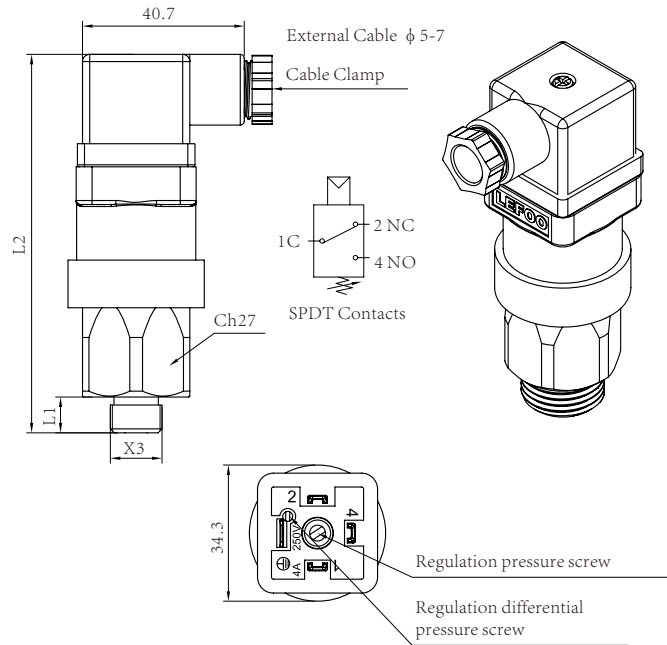
## Specification

Model	LF705A
Body	Brass
Contact	Silver cadmium alloy, can be gold plated
Max Voltage	42V
Max Currency	4A
Working Temperature Range	-40°C~+100°C (baesd on different diaphragm)
Life Endurance	10 <sup>6</sup>
Electrical Life Endurance	10 <sup>5</sup>
Pollution Situation	Normal
IP Level	IP00(without cover)
With Cover	IP54(rubber cover)
With Cover	IP67(potting resin cover)
Applicable Rule	EN 60730-1
Max Working Pressure	40bar
Burst Perssure	80bar
Weight	~85gr

Conversion: 1kgf/cm<sup>2</sup>=14.2psi 1bar=14.5psi

# LF706

High pressure switch



Dimension in:mm

Diaphragm type pressure switch with DIN 43650-A Hirschmann connection, brass body and 80bar of maximum safety pressure

## LF706 Order Ref NO

LF706 - 2 1 1 1 2  
A B C D E

Number	Connection (X3)	L1	L2	Diaphragm	Pressure Range	Tolerance
1	G1/8	B 9	C 95	D NBR	0.1-1bar	±0.2bar
2	A NPT1/8	9	95	FKM	E 1-5bar	±0.3bar
3	M10×1	9	95	EPDM	1-10bar	±0.5bar
4	UNF7/16	9	95	HNBR	10-20bar	±1bar
5	G1/4	9	95	/	/	/
6	NPT1/4	9	95	/	/	/
7	G1/2	12	98	/	/	/

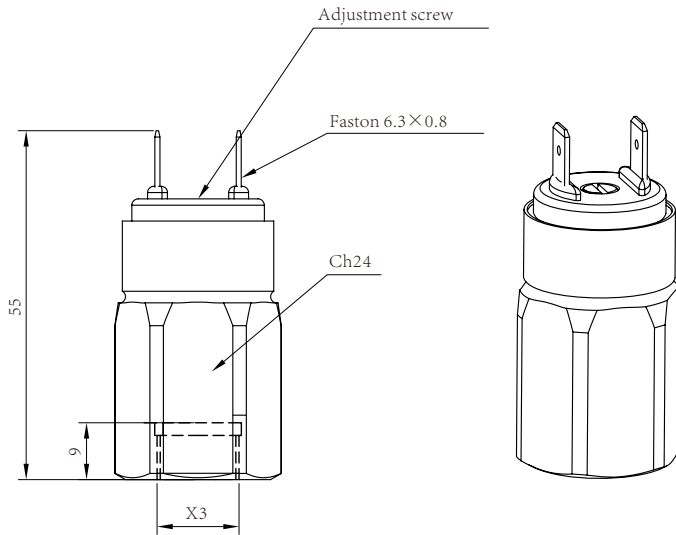
## Specification

Model	LF706
Body	Brass
Contact	Silver cadmium alloy, can be gold plated
Max Voltage	42V
Max Currency	4A
Working Temperature Range	-40°C ~ +100°C (baesd on different diaphragm)
Life Endurance	10 <sup>6</sup>
Electrical Life Endurance	10 <sup>5</sup>
Pollution Situation	Normal
IP Level	IP00(without cover)
Applicable Rule	EN 60730-1
Max Working Pressure	40bar
Burst Perssure	80bar
Weight	~140gr

Conversion: 1kgf/cm<sup>2</sup>=14.2psi 1bar=14.5psi

## LF707

High pressure switch



Dimension in:mm



Diaphragm type pressure switch with female screw, 6.4mm plug terminal and 300bar of maximum safety pressure

### LF707 Order Ref NO

LF707 - 2 1 1 1 1 1 2  
A B C D E F G

Number	Connection (X3)	L1	L2	Diaphragm	Body Material	Circuitry	Pressure Range	Tolerance
1	G1/8	B 9	C 55	DNBR	E Zinc-plated Steel	F NO	0.1-1bar	±0.2bar
2	A M12×1.5	9	55	FKM	Stainless Steel	NC	G 1-5bar	±0.3bar
3	M10×1	9	55	EPDM	/	/	1-10bar	±0.5bar
4	G1/4	9	55	HNBR	/	/	10-20bar	±1bar
5	/	/	/	/	/	/	20-50bar	±2bar

### Specification

Model	LF707
Body	Zinc-plated Steel/Stainless Steel
Contact	Silver cadmium alloy, can be gold plated
Max Voltage	42V
Max Currency	4A
Working Temperature Range	-40°C~+100°C (baesd on different diaphragm)
Life Endurance	10 <sup>6</sup>
Electrical Life Endurance	10 <sup>5</sup>
Pollution Situation	Normal
IP Level	IP00(without cover)
With Cover	IP54(rubber cover)
With Cover	IP67(potting resin cover)
Applicable Rule	EN 60730-1
Max Working Pressure	40bar
Burst Perssure	80bar
Weight	~105gr

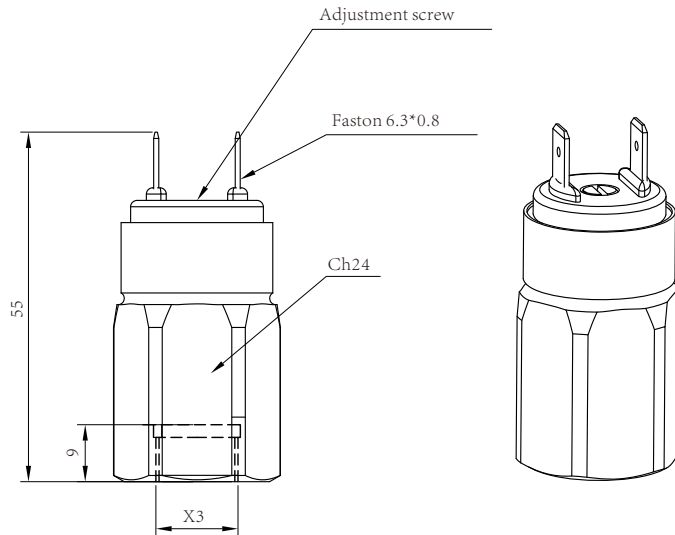
Conversion: 1kgf/cm<sup>2</sup>=14.2psi 1bar=14.5psi

www.lefoo.com

# LF708

High pressure switch

**LEFOO**



Dimension in:mm

Diaphragm type pressure switch with female screw, 6.4mm plug terminal, brass body and 80bar of maximum safety pressure

## LF708 Order Ref NO

LF708 - 2 1 1 1 1 2

A B C D E F

Number	Connection (X3)	L1	L2	Diaphragm	Circuitry	Pressure Range	Tolerance
1	G1/8	B 9	C 55	D NBR	E NO	0.1-1bar	±0.2bar
2	A M12×1.5	9	55	FKM	NC	F 1-5bar	±0.3bar
3	M10×1	9	55	EPDM	/	1-10bar	±0.5bar
4	G1/4	9	55	HNBR	/	10-20bar	±1bar

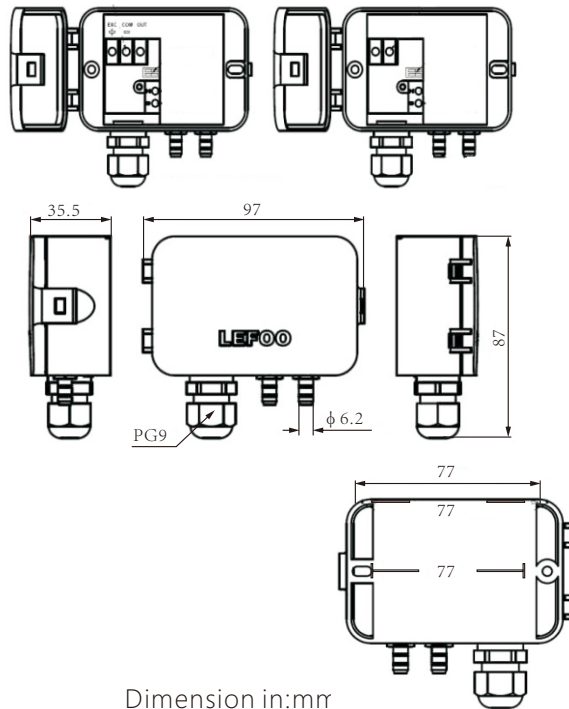
## Specification

Model	LF708
Body	Brass
Contact	Silver cadmium alloy, can be gold plated
Max Voltage	42V
Max Currency	4A
Working Temperature Range	-40°C~+100°C (baesd on different diaphragm)
Life Endurance	10 <sup>6</sup>
Electrical Life Endurance	10 <sup>5</sup>
Pollution Situation	Normal
IP Level	IP00(without cover)
With Cover	IP54(rubber cover)
With Cover	IP67(potting resin cover)
Applicable Rule	EN 60730-1
Max Working Pressure	40bar
Burst Perssure	80bar
Weight	~105gr

Conversion: 1kgf/cm<sup>2</sup>=14.2psi 1bar=14.5psi

# LFM108

Differential pressure transmitter



Dimension in:mmr



LFM108 differential pressure transmitter detect differential pressure or gauge pressure then convert this pressure difference to a proportional analogue output signal. Two output version are offered: Voltage output of 0~10VDC, and a current output 4-20mA. LFM108 differential pressure transmitter ranges from 0~±50Pa to 0~±10000Pa.

## LFM108 Order Ref NO

LFM108 - 101G or 051D - VZ

**A**      **B**      **C**

<b>A one-way</b>	<b>B two-way</b>	<b>C Output</b>
101G=0~100Pa	051D=0±50Pa	AL=4~20mA
251G=0~250Pa	101D=0±100Pa	VL=0~10VDC
501G=0~500Pa	251D=0±250Pa	VZ=0~5VDC
102G=0~1000Pa	501D=0±500Pa	
252G=0~2500Pa	102D=0±1000Pa	
502G=0~5000Pa	252D=0±2500Pa	
103G=0~10000Pa	502D=0±5000Pa	
	103D=0±10000Pa	

## Specification

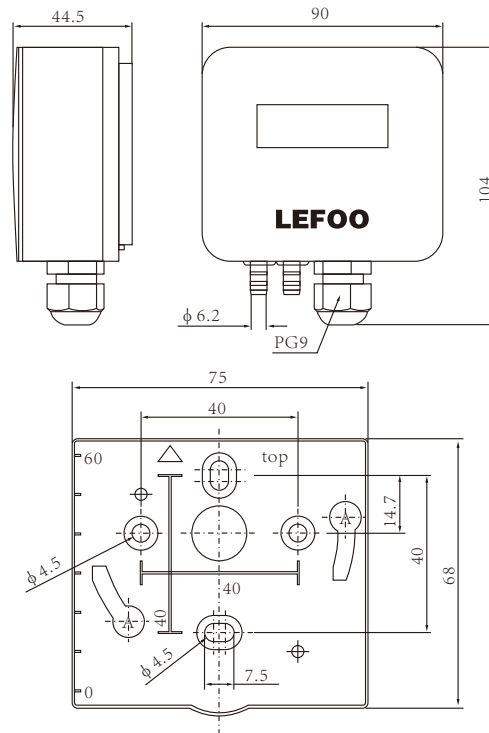
General	Value
Accuracy	±1.0%FS
Compensated temperatures	-10~60°C
Zero/Full range deviation%FS/%C	±0.01
Over pressure capacity	×15
Output signal	0~5/10VDC\3-wire ; 4~20mA\2-wire
Supply voltage	0~5/10VDC\12~30VDC ; 4~20mA\10~30VDC
An external load	0~5/10VDC\≥50KΩ ; 4~20mA\≤250Ω
Response time	0.5s,1s,2s,4s
Compensation temperature	-10~60°C
Operation Temperature	-10~60°C ; -40~85°C
Shell material	Industrial plastic, flame retardant grade UL94-V0
Connection	Metal agnail interface, Ø6.2mm
Cable connector	Cable diameter Ø8mm
Weight	140g

Conversion: 1in W.C.=249Pa 1MPa=100Pa

www.lefoo.com

# LFM11 Series

Differential pressure transmitter



Dimension in:mm

Low Differential Pressure Transmitter LFM110/LFM112 are engineered for building automation in the HVAC/R industry , pressure and flow monitoring, and low differential pressure test in industry application.

## LFM11 Series Order Ref NO

LFM110 - N - A - C  
**A B C D**

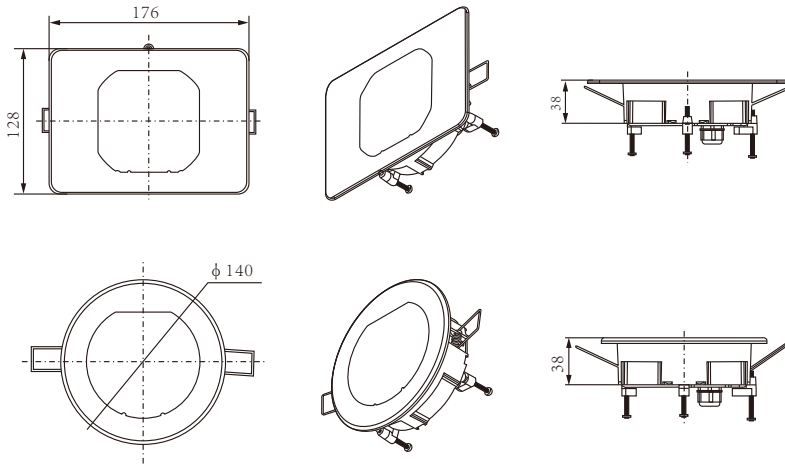
A Span	B Display	C Output	D Accuracy
0~-1000~1000Pa	O=with display	A=4~20mA,0-5/10VDC	±1.0%FS
2~-10000~10000Pa	N=without display	B=4~20mA(2-wire)	
6~-100~100Pa		C=0~10VDC(3-wire)	
		D=0~5VDC(3-wire)	

## Specification

General	Value	
Accuracy	±1.0%FS	
Unit	Pa,mmH <sub>2</sub> O,mbar,inWG,mmHG,daPa,hPa	
Output signal	0~5/10VDC and 4~20mA simultaneous output, 4~20mA 2-wire 0~5VDC 3-wire,0~10VDC 3-wire	
Supply Voltage	16~30VDC/16~30VAC	
Power Supply	1.5W	
Response time	20ms,0.5s,1s,2s	
Resolution	LFM110:1Pa,1mmH <sub>2</sub> O,0.01mbar,0.04inWG,0.007mmHG,0.1daPa,0.001kPa LFM112:0.01hPa LFM116:0.1Pa,0.01mmH <sub>2</sub> O,0.001mbar,0.01daPa,0.001hPa	
Zero Point adjustment	Automatic with autozero element or with push button	
Measuring unit	Air or neutral gas	
Operation Temperature	-10~60°C	
Storage Temperature	-10~70°C	
Over pressure capacity	Range	
	-1000~1000Pa	-15000~15000Pa
	-10000~10000Pa	-150000~150000Pa
	-100~100Pa	-4500~4500Pa

Conversion: 1in W.C.=249Pa 1MPa=100Pa





Dimension in:mm

## Features

- Non-polar Input: No need to differentiate the negative or positive input voltage sourcing lead.
- Excellent Material: housing made of FR-ABS, satisfactory impact resistance and heat resistance etc.
- Span: 0~±100Pa/0~±1,000Pa / 0~±10,000Pa Accuracy: ±1.0%FS.
- Various switchable pressure units.
- Big LCD screen.
- Manual button of zero calibration.
- Manual button of default reset.
- Max. and min pressure value to review.
- Settable response time.
- Built-in buzzer with sound-light alarm, field programmable alarm pressure value.
- Imported chip.
- The Max. and Min. pressure range of discrete output can be set(only LFM32 Series).

## LFM3 Order Ref NO

LFM30-0-W-P-B

**A B C D E**

A Version (remark)	B Span	C Output	D Installation Panel	E Inflow Way
0=Display	0=-1000~1000Pa	W=No output	P=Plastic	F=Front panel
2=Discrete output	2=-10000~10000Pa	R=Relay output	S=Stainless	B=Back panel
	6=-100~100Pa	N=NPN output		
		P=PNP output		

## Specification

General	Value
Over pressure capacity	Span
	-1000~+1000Pa
	-10000~+10000Pa
	-100~+100Pa
Overload Capacity	-15,000~+15,000Pa
	-150000~+150000Pa
	-4500~+4500Pa
Accuracy	±1.0%FS
Unit	Pa, kPa, mBar, mmHG, inWC, mmWC
Power Supply	Input Voltage: 10~30VAC/VDC with24V DC adapter (3.5×1.35mm); Built-in 9V 6F22 battery (only LFM30 Series)
Consumption	≤0.75W
Fluid	Air or neutral fluid
Operation Temperature	-10~+60°C
Storage Temperature	-10~+70°C

Conversion: 1in W.C.=249Pa 1MPa=100Pa

www.lefoo.com

# LFM3 Series

## Differential pressure gauge



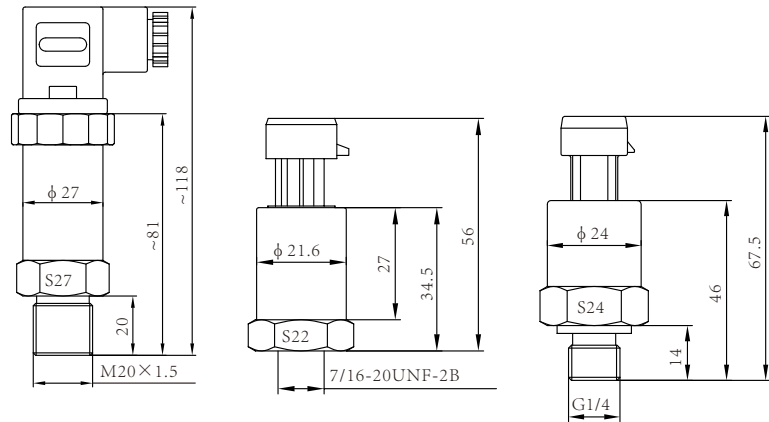
LFM3 Series differential pressure gauge use imported high precision sensor and digitalization technology. They are easy installation, LCD display, clear and accurate reading, and can be applied to measure fan and blower pressures, filter resistance, air velocity, furnace draft, pressure drop across orifice plates and medical care equipment. This series have three optional discrete output versions (relay, NPN and PNP), can be flexibly applied to control the external equipments.

# T2000

Pressure transmitter



**LEFOO**



Dimension in:mm

The heart of T2000 pressure transmitter is a ceramic pressure sensor that is temperature compensated and laser trimmed for accurate span and offset calibration. The typical advantage is the compact size, which make it convenient to be installed in small room.

## T2000 Order Ref NO

T2000-A4-0~4.....60-B-1.5-P-G-1.0

A B C D E F G

**A Output:** A4=4~20mA; V05=0.5~4.5V; V0=0~5V; V1=1~5V; V10=0~10V

**B Measurement range**

**C Unit of measure:** K=kPa; M=MPa; P=psi; B=bar

**D Accuracy:** 0.5=0.5%F.S; 1=1.0%F.S

**E Electrical connector:** P=Packard; D=Din43650C; M=M12; C=Cable

**F Pressure connection:** G=G1/4; N=NPT1/4; R=R1/4; U=7/16-20UNF; M=M20×1.5; N2=NPT1/2; G2=G1/2; R2=R1/2

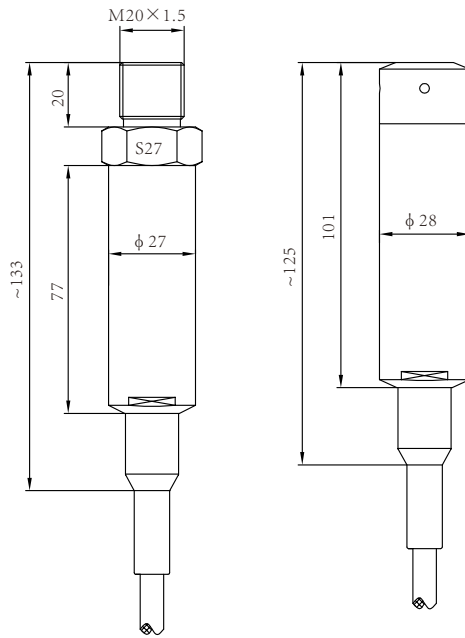
**G Cable length(m)**

## Specification

General	Value			
Measurement Range	-1~0.....100bar、0~2.....3bar、0~4.....60bar(normal range)、0~61.....600bar			
Overload Pressure	1.5 times of full scales			
Burst Pressure	3 times of full scales			
Accuracy	±0.5%F.S、 ±1.0%F.S			
Long Term Stability	Typical value: 0.5%F.S Maximum: 1%F.S			
Working Temperature	-40℃~100℃			
Compensated Temperature	-10℃~80℃			
Storage Temperature	-50℃~125℃			
Medium Compatibility	All corrosive medium compatible with 1Cr18Ni9Ti stainless steel and ceramic			
Output Mode	Two-wired	Three-wired		
Output	4~20mA	0.5~4.5V	0/1~5V	0~10V
Power Supply	10~30VDC	5VDC	10~30VDC/AC	12~30VDC/AC
Load Resistance	(U-10)/0.02(Ω)		> 100K(Ω)	
Insulation	>100M(Ω)@50V			
Electrical Connection	Packard, DIN43650C, DIN72585, M12, Cable			
Protection Grade	IP67			
Pressure Connection	Male G1/4,NPT1/4,7/16-20UNF,M20×1.5,G1/ (Female and other connection is available on request)			
Response Time	10ms			
Pressure Form	Gauge pressure			
Electromagnetic Compatibility	Electromagnetic transmit: EN50081-1/-2; Electromagnetic sensitivity: EN50082-2			

Conversion: 1kgf/cm<sup>2</sup>=14.2psi 1bar=14.5psi

## T3000 Liquid level pressure transmitter



Dimension in:mm



T3000 series is a highly reliable and accurate liquid level transmitter. It can be widely used in liquid pressure and liquid level measurement, such as water, oil and other low corrosive liquids. It features with 1Cr18Ni9Ti stainless structure, high quality oil-filled pressure sensing unit, special amplifier and V/I transmitter circuit board, which make it easy to be calibrate the zero point and full scale by external program-controlled. The transmitter can be configured wearable, oil-resistant, acid and alkali resistant, high strength breathable cable according to different field using environment.

### T3000 Order Ref NO

T3000-100-A4-0.25-G-1.0

A B C D E

**A** Measurement range(mH<sub>2</sub>O)

**B** Output: A4=4~20mA; V05=0.5~4.5V; V0=0~5V; V1=1~5V; V10=0~10V

**C** Accuracy: 0.25=0.25%F.S; 0.5=0.5%F.S

**D** Pressure connection: G=G1/4; T=Dive type

**E** Cable length(m)

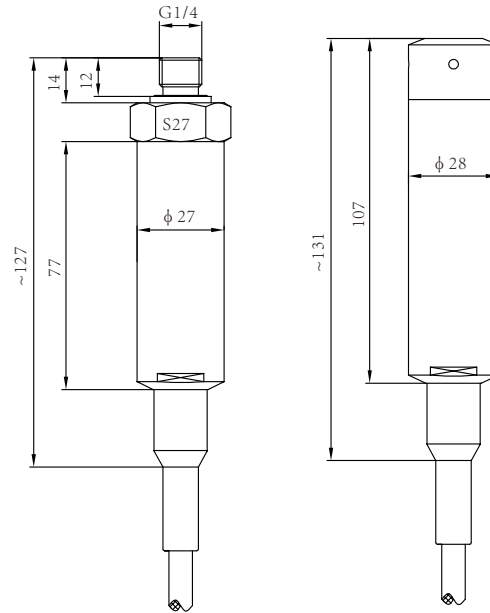
### Specification

General	Value			
Measurement Range	0~1.....500mH <sub>2</sub> O			
Overload Pressure	1.5 times of full scales			
Burst Pressure	3 times of full scales			
Accuracy	±0.25%F.S; ±0.5%F.S			
Long Term Stability	Typical value: 0.1%F.S Maximum: 0.2%F.S			
Working Temperature	-40°C~85°C			
Compensated Temperature	-10°C~70°C			
Medium Compatibility	All corrosive medium compatible with 1Cr18Ni9Ti and 316L			
Output Mode	Two-wired		Three-wired	
Output	4~20mA	0.5~4.5V	0/1~5V	0~10V
Power Supply	12~36VDC	5VDC	10~36VDC/AC	12~36VDC/AC
Load Resistance	(U-10)/0.02(Ω)		>100K(Ω)	
Insulation	>100M(Ω)@50V			
Electrical Connection	Waterproof cover+Two rectangular ring+Seal ring+Sealant+Glue,Protection: IP68			
Pressure Connection	G1/4 thread or Dive type			
Response Time	10ms			
Pressure Form	Gauge pressure			
Electromagnetic Compatibility	Electromagnetic transmit: EN50081-1/-2; Electromagnetic sensitivity: EN50082-2			
Lightning-proof	Air conduction voltage 8000V,shell or cable conduction voltage 4000V; Can also be provided according to customer's requirement			

# T3800

Digital  
pressure transmitter

**LEFOO**



Dimension in:mm

T3800 pressure transmitter is a product which is characterized by high reliability, high stability and digital output. It is widely used in testing gas and liquid pressure, such as water, oil, light hazardous liquid and gas. This product adopts 1Cr18Ni9Ti stainless steel structure and RS485 output.

## T3800 Order Ref NO

T3800-A100-B0.5-CG-D1.0

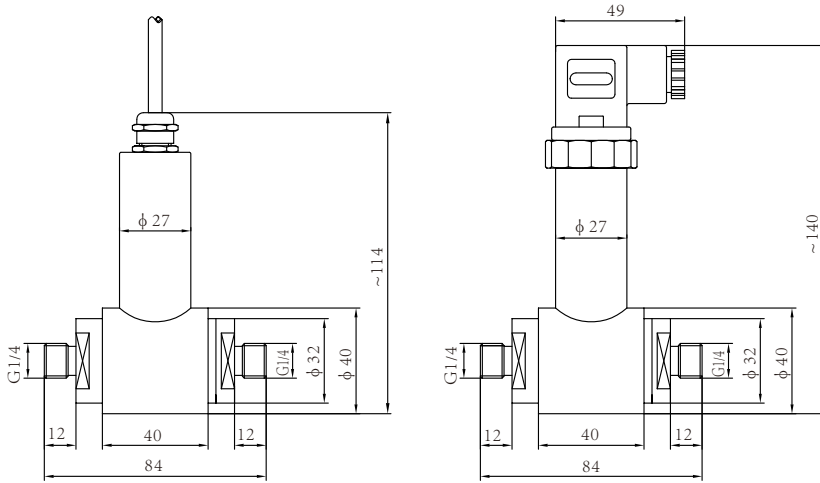
A B C D

A Measurement range(mH <sub>2</sub> O)	B Accuracy	C Pressure connection	D Cable length(m)
	0.5=±0.5%F.S	G=G1/4	
		G2=G1/2	
		M=M20×1.5	
		R2=R1/2	
		N2=NPT1/2	

## Specification

General	Value
Measure Range	0~2.....200mH <sub>2</sub> O
Overload Pressure	1.5 times full scale
Broken Pressure	3 times full scale
Accuracy	±0.5%F.S
Stability	Typical 0.2%F.S per year
Operating Temperature	-40°C~85°C
Medium Compatibility	Corrosive medium compatible with stainless steel Cr18Ni9Ti
Signal Output	Rs485
Power Supply	10~30Vdc
Insulation	>100M Ω@50V
Electrical connection	Waterproof solid line sets
Pressure connection	Investment style, Threaded: M20×1.5、 G1/4、 G1/2、 R1/2、 NPT1/2
Pressure type	Gauge G, Sealed gauge S
Response Time	10ms
Electro Magnetic Compatibility	EM: EN50081-1/-2; EMS: EN50082-2

## T1500 Differential pressure transmitter



Dimension in:mm



T1500 differential pressure transmitter is characterized by anti-electromagnetic interference and lightning proof. It is widely used in liquid and water differential pressure test. Such as flow test. Water swage treatment, mine download differential pressure test. Water heat of hydropower station city flood control and drainage, underwater engineering, underwater test, water saving irrigation, terminal control of central air-conditioning, ect.

### T1500 Order Ref NO

T1500-A4-100-K-0.25-H-GF-1.0

**A B C D E F G**

**A Output:** A4=4~20mA; V0=0~5V; V1=1~5V; V10=0~10V

**B Measurement range**

**C Unit of measure:** K=kPa; M=MPa; P=psi; B=bar

**D Accuracy:** 0.25=±0.25%F.S; 0.5=±0.5%F.S

**E Electrical connector:** H=DIN43650-A; GX=GX16-7; C=Cable

**F Pressureconnection:** GF=G1/4Female; GM=G1/4Male; M=M20×1.5; RG=Φ8Airtap

**G Cable length(m)**

### Specification

General	Value		
Measurement Range	0~±5kPa……±5000kPa		
Overload Pressure	1.5 times of full scales		
Burst Pressure	3、 5、 10 times of full scales, 20MPa		
Accuracy	±0.25%F.S、 ±0.5%F.S		
Long Term Stability	Typical value: 0.1%F.S Maximum: 0.2%F.S		
Working Temperature	-40℃~85℃		
Compensated Temperature	-10℃~70℃		
Medium Compatibility	All corrosive medium compatible with 1Cr18Ni9Ti and 316L		
Output Mode	Two-wired	Three-wired	
Output	4~20mA	0/1~5V	0~10V
Power Supply	12~30VDC	8~36VDC/AC	11~30VDC/AC
Load Resistance	(U-10)/0.02(Ω)	>100K(Ω)	
Insulation	>100M(Ω)@50V		
Electric strength	500V@60 second		
Impulse current	10g/5~2000Hz,axes X/Y/Z20g sine 11ms		
Protection class	water resistant wire leads,IP68;DIN43650,cover IP65		
Response Time	10ms		
Pressure endurance	2×10 <sup>6</sup> pressure circles@25℃		
Electromagnetic Compatibility	Electromagnetic transmit:EN50081-1/-2;Electromagnetic sensitivity:EN50082-2		
Lightning-proof	Air conduction voltage 8000V, shell or cable conduction voltage 4000V; Can also be preovided according to customer's requirement		

Conversion: 1bar=14.5psi=100kPa

www.lefoo.com

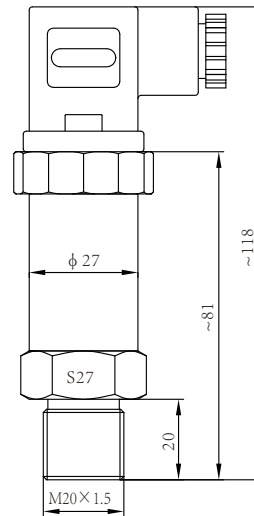
## T1050

High accuracy  
pressure transmitter



T1050 series are the cost effective products featuring mass production, low cost, extensive application for industrial and civil product. It's widely used for measuring the pressure of gas and liquid, such as water, oil and mild corrosive liquid and gas.

The product is made of 1Cr18Ni9Ti stainless steel and with selected pressure sensing elements which is from well-known international brand. The special circuits for V/I adaptor makes the zero and full range calibration more convenient. Non-polar two-wire current and three-wire AC/DC voltage output are provided. Customized structures and output formats can be designed according to special application requirements, in addition to standards products.



Dimension in:mm

### T1050 Order Ref NO

T1050-A4-1.0-M-0.25-H-G-1.0

A B C D E F G

**A Output:** A4=4~20mA; V05=0.5~4.5V; V0=0~5V; V1=1~5V; V10=0~10V

**B Measurement range**

**C Unit of measure :** K=kPa; M=MPa; P=psi; B=bar

**D Accuracy :** 0.25=±0.25%F.S; 0.5=±0.5%F.S

**E Electrical connector :** H=DIN43650-A; GX=GX16-7; C=Cable

**F Pressure connection:** G=G1/4; N=NPT1/4; R=R1/4; U=7/16-20UNF; M=M20×1.5; N2=NPT1/2; G2=G1/2; R2=R1/2

**G Cable length(m)**

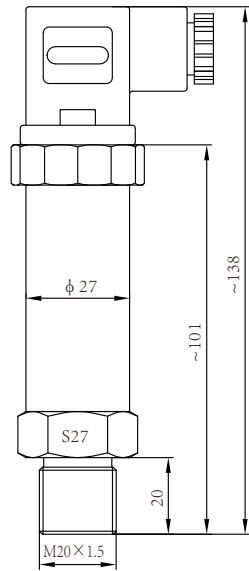
### Specification

General	Value			
Measurement Range	0~2.....600bar			
Overload Pressure	1.5 times of full scales			
Burst Pressure	3 times of full scales			
Accuracy	±0.5%F.S			
Long Term Stability	Typical value: 0.25%F.S    Maximum: 0.4%F.S			
Working Temperature	-40℃~85℃			
Compensated Temperature	-10℃~70℃			
Medium Compatibility	ALL corrosive medium compatible with 1Cr18Ni9Ti			
Output Mode	Two-wired		Three-wired	
Output	4~20mA	0.5~4.5V	0/1~5V	0~10V
Power Supply	12~30VDC	5VDC	10~30VDC/AC	12~30VDC/AC
Load Resistance	(U-10)/0.02(Ω)		>100K(Ω)	
Insulation	>100M(Ω)@50V			
Electrical Connection	Packard, DIN 43650C, DIN72585, M12, Cable			
Pressure Connection	Male G1/4,G1/2,NPT1/4,NPT1/2,M20×1.5			
Response Time	10ms			
Pressure Form	Gauge pressure			
Electromagnetic Compatibility	Electromagnetic transmit:EN50081-1/-2;Electromagnetic sensitivity:EN50082-2			

Conversion: 1bar=14.5psi 1MPa=10bar

## T1030

High accuracy  
pressure transmitter



Dimension in:mm



T1030 pressure transmitter is a product which is characterized by high precision, high reliability, high cost effectiveness and flexible range. It is widely used in testing gas and liquid pressure, such as water, oil, light hazardous liquid and gas.

### T1030 Order Ref NO

T1030-A4-1.0-M-0.25-H-G-1.0

A B C D E F G

**A Output:** A4=4~20mA;V0=0~5V;V1=1~5V;V10=0~10V

**B Measurement range**

**C Unit of measure:** K=kPa;M=MPa;P=psi;B=bar

**D Accuracy:** 0.25=±0.25%F.S

**E Electrical connector:** H=DIN43650-A;GX=GX16-7;C=Cable

**F Pressure connection:** G=G1/4;N=NPT1/4;R=R1/4;U=7/16-20UNF;M=M20×1.5;N2=NPT1/2;G2=G1/2;R2=R1/2

**G Cable length(m)**

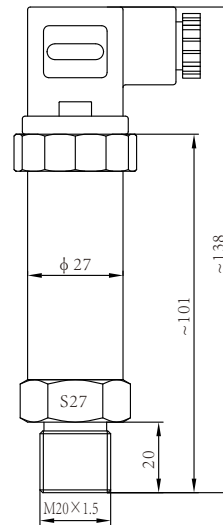
### Specification

General	Value		
Measurement Range	-1……-0.1bar~0~0.1……1000bar		
Overload Pressure	1.5 times of full scales		
Burst Pressure	3 times of full scales		
Accuracy	±0.25%F.S. ±0.5%F.S		
Long Term Stability	Typical value: 0.25%F.S Maximum: 0.4%F.S		
Working Temperature	-40℃~85℃		
Compensated Temperature	-10℃~70℃		
Medium Compatibility	ALL corrosive medium compatible with 1Cr18Ni9Ti		
Output Mode	Two-wired	Three-wired	
Output	4~20mA	0~20mA\0~10VAC	0/1~5V 0.5~3/4.5V
Power Supply	10~30VDC	11~30VDC	8~24VDC 5V Ratio
Load Resistance	(U-10)/0.02(Ω)	Current model: (U-12)/0.02(Ω); Voltage model: >20K(Ω)	
Insulation	>100M(Ω)@50V		
Electrical Connection	DIN63650,IP65;GX16-7,IP45;Wire,IP68		
Pressure Connection	G1,G1/4,G1/2,NPT1/4,NPT1/2,R1/4,M20×1.5,(Ht)		
Response Time	10ms		
Electromagnetic Compatibility	Electromagnetic transmit: EN50081-1/-2; Electromagnetic sensitivity: EN50082-2		

Conversion: 1bar=14.5psi 1MPa=10bar

www.lefoo.com

## T1700 Pressure transmitter



Dimension in:mm

T1700 series pressure transmitter is used for absolute vacuum measuring control, which has fully solved the problem of difficult vacuum measurement. All the existing pressure connections and electrical connections are available for T1700 series pressure transmitter.

### T1700 Order Ref NO

T1700-A4-1.0-M-0.25-H-G-1.0

A B C D E F G

A Output	B Measurement range	C Unit of measure	D Accuracy	E Electrical connector	F Pressure connection	G Cable length(m)
A4=4~20mA		K=kPa	0.25=±0.25%F.S	H=DIN43650-A	G=G1/4	
V0=0~5V		M=MPa		GX=GX16-7	N=NPT1/4	
V1=1~5V		P=psi		C=Cable	R=R1/4	
V10=0~10V		B=bar			U=7/16-20UNF	
					M=M20×1.5	
					N2=NPT1/2	
					G2=G1/2	
					R2=R1/2	

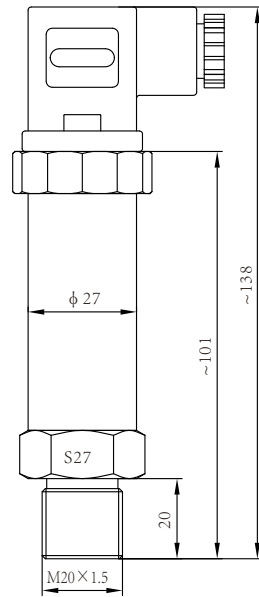
### Specification

General	Value
Measuring Range	Absolute pressure 0.1.....400bar
Overload Capability	1.5 times full scale
Burst Pressure	3 times full scale
Accuracy	±0.25%F.S, ±0.5%F.S
Stable	Typically 0.25%F.S. MAX: 0.4%F.S
Medium Temperature Range	-40°C~85°C (40°C~125°C is available on request)
Compensated Temperature	-10°C~70°C
Medium	compatible with stainless steel1Cr18Ni9Ti
Electrical overview	2 wire <span style="float:right">3 wire</span>
Output	4~20mA <span style="float:right">0~5V</span> <span style="float:right">0~10V</span>
Power Supply	10~30VDC <span style="float:right">6~24VDC\10~36VAC</span> <span style="float:right">11~30VDC\20~36VAC</span>
Load	(U-10)/0.02(Ω) <span style="float:right">&gt;100K(Ω)</span>
Insulation resistance	>100M(Ω)@50V
Electrical Connection	DIN43650,Protecting Class IP65
	GX16-7,Protecting Class IP45
	waterproof wire lead (Class 5), Protecting Class IP68
Pressure Connection	M20×1.5, G1/2, G1/4, NPT1/4, NPT1/2
Response time	10ms
Electro Magnetic Compatibility	EN50081-1/-2; EN50082-2

Conversion: 1bar=14.5psi 1MPa=10bar



## T1800 Pressure transmitter



Dimension in:mm



T1800 high temperature Spray-diaphragm pressure transmitter is a product which is characterized by high temperature-proof, wide range and high accuracy. It is widely used in testing gas and liquid pressure, such as water, oil, light hazardous liquid and gas. Spray-diaphragm core refers to spray an insulation layer on the core by chemical method. Then Wheatstone bridge of metal diaphragm type and temperature compensation are sprayed on the insulated body. At last, cover a layer of insulation material on the metal diaphragm resistance. The Wheatstone bridge of metal diaphragm will deform in accordance with the core deformation, which is affected by pressure and give a linear output.

### T1800 Order Ref NO

T1800-A4-100-K-0.25-H-GF-1.0

A B C D E F G

A Output	B Measurement range	C Unit of measure	D Accuracy	E Electrical connector	F Pressure connection	G Cable length(m)
A4=4~20mA		K=kPa	0.25±0.25%F.S	H=DIN43650-A	GF=G1/4	
V0=0~5V		M=MPa	0.5±0.5%F.S	GX=GX16-7	GM=G1/4 male screw	
V1=1~5V		P=psi		C=Cable	M=M20×1.5	
V10=0~10V		B=bar		CW=Waterproof joint qualification	RG=Φ8 air faucet	

### Specification

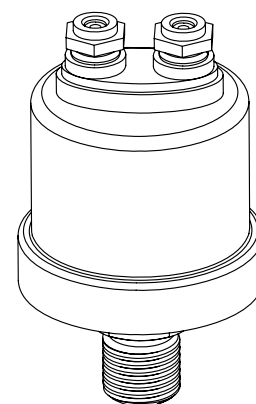
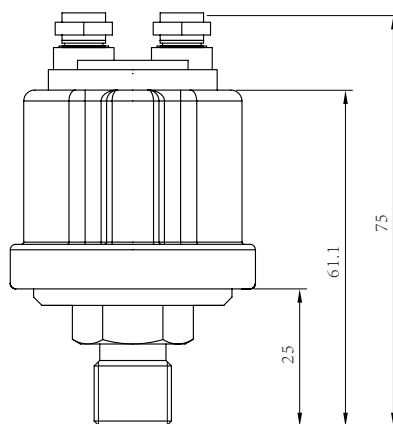
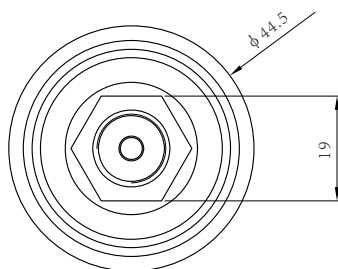
General	Value		
Measuring Range	0~1……2000bar		
Overload capability	2 times full scale		
Burst pressure	4 times full scale		
Accuracy	±0.1%F.S、 ±0.25%F.S、 ±0.5%F.S		
Stable	typically 0.25%F.S per year, 0.4%F.S(Max) per year		
Medium temperature range	-50℃~150℃ (-50℃~230℃ is available on request)		
Compensated Temperature	-20℃~120℃		
Medium	Liquids and gases, compatible with stainless steel1Cr18Ni9Ti		
Electrical overview	2 wire	3 wire	4 wire
Output	4~20mA	0~20mA	0~10mA
Power Supply	12~30VDC	12~30VDC	12~30VDC
Load	(U-10)/0.02(Ω)	(U-10)/0.02(Ω)	>20K(Ω)
Insulation reistance	>100M(Ω)@50V		
Insulation voltage	500V@60 second		
Vibration /Constant shock	10g/5~2000Hz, axes X/Y/Z20g sine 11ms		
Life	2×10 <sup>6</sup> cycles @25℃		
Electrical Connection	DIN43650C, M12 Series, Packard, Cable		
Pressure connection	M20×1.5、 G1/4、 G1/2、 R1/2、 NPT1/2、 NPT1/4		
Pressure Type	Guage, Seal Guage, Abosolute		
Electro Magnetic Compatibility	EN50081-1/-2, EN50082-2		

Conversion: 1bar=14.5psi 1MPa=10bar

www.lefoo.com

## YG2221E

Engine oil pressure sensor



Dimension in:mm

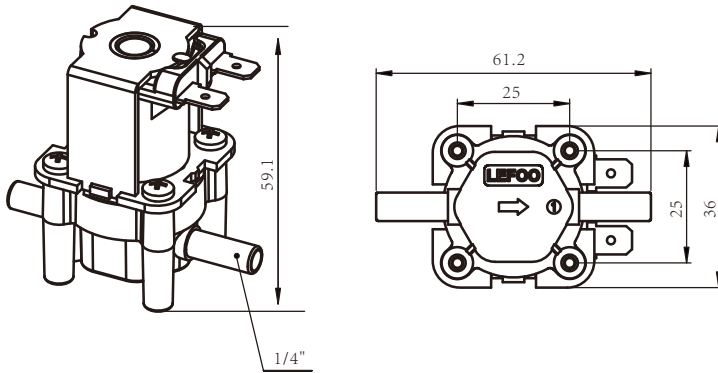
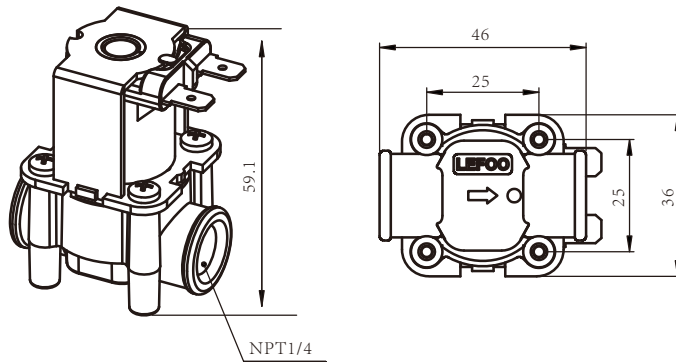
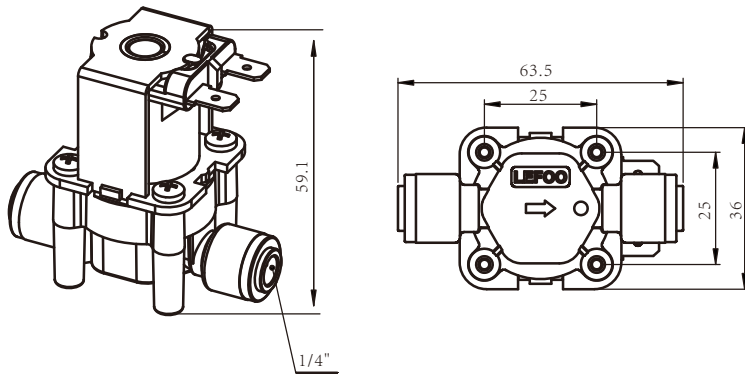
YG2221E motor oil pressure sensor is used together with oil pressure meter and alarm lamp. It can sense change of oil pressure in main tube of engine, and transfer it into resistance variety, then output it to oil meter to indicate current oil pressure. When the oil pressure falls to preset value, the alarm lamp will be cut-on. YG2221E utilizes palladium cermet printed circuit board, which features ultra-long life and high reliability.

## Specification

Model	YG2221E
Measuring Range	0~6bar
Output	90~200 $\Omega$ (other range is available on request)
Supply Power	12/24VDC
Alarm Pressure	0.8bar
Pressure Type	Absolute Pressure
Operation Temperature Range	-30 $^{\circ}$ C~130 $^{\circ}$ C
Sample Line Connection	1/4NPT(other connection is available on request)
Electrical Connection	G-Pressure Meter, WK-Alarm

Conversion: 1bar=14.5psi 1MPa=10bar

## SVD20 Inlet Solenoid Valve



Dimensions: mm



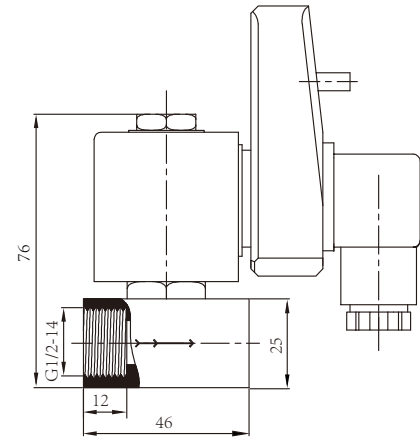
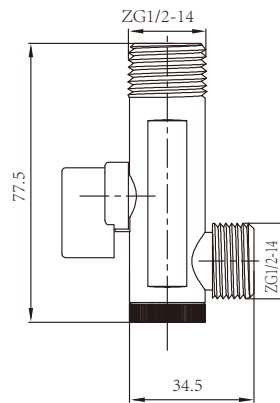
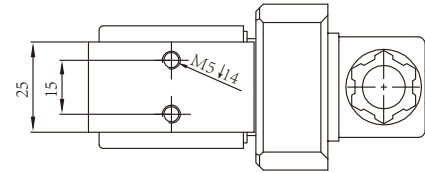
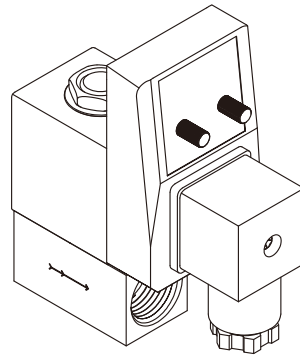
SVD20 Series of inlet and outlet solenoid valve with novel design, unique structure, also with excellent anti-blocking, anti-leakage performance, and are widely used in various types of high-grade water dispenser, RO straight drinking machine, pipeline machine, water purifying machine, coffee machine and other home appliances.

### Technical Details

Model	Value			
Rated Voltage	DC12V	DC15V	DC24V	DC36V
Working Voltage	DC12V±15%	DC15V±15%	DC24V±15%	DC36V±15%
Water Pressure Range	0.02~0.8MPa			
Medium Temperature	0~100℃			
Working Life	≥100000 times			
Water Pressure	0.3MPa			
Flow	>0.3L/min			
Spacing	Spacing: 25×25mm/42±0.2mm			
Inlet Port	Φ6.35mm、NPT1/4、1/4"			
Outlet Port	Φ6.35mm、NPT1/4、1/4"			
Options	Customer design and OEM service are provided			

# LFSV20-B

Drainage  
Solenoid Valve



Dimension in:mm

LFSV20-B is a kind of 2/2-way solenoid valve, which is normally closed. It's used for blocking or mobilizing medium in pipe, to discharge condensate water after compress air. The main application of LFSV20-B is filter, separator, drying machine, air tank, drop foot, and other components of compressed air system. The drain time and interval time are adjustable.

## Installation and use of products

1. Before installation, make sure no impurities like dirt, copper scale and rust in the compressed air system, and the system pressure has been released for one minute.
2. Vertically installed into the pipe, the flow direction should be same as arrow in the valve shows, don't use flexible pipe without resistance to air impact in the water outlet.
3. Make sure the input power is coincident to the voltage shows in the coil. No permission to remove the coil from valve when power on, to protect coil from burning.
4. The positive pole should be connected with connection "1" when use DC voltage.

## Specification

Model	LFSV20-B
Media	Water
Media temperature	-20~80°C
Work pressure	0~16 bar
Hole diameter(mm)	φ 3.0
Interval time	0.5~45min
Drain time	0.5~10 sec
Connection type	3/8" or 1/4" is available