

LFP301/DB DC PERISTALTIC PUMP

FEATURES

- High accuracy, pump color optional
- Low noise, quiet and stable, suitable for home use
- Long life, operating life up to 800 hours
- Easy disassembly and quick hose replacement (no tools required)



TECHNICAL PARAMETERS

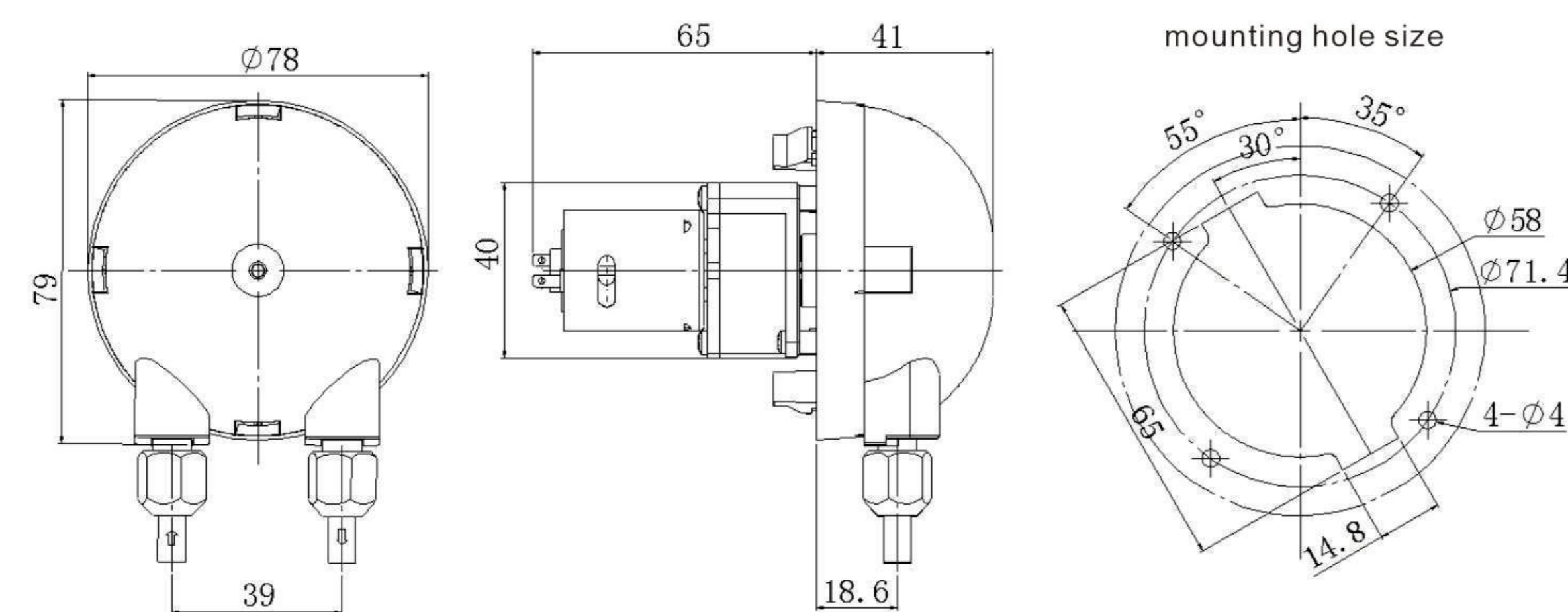
| Items | Technical Parameters |
|---------------------|---|
| Installation method | Pump body with mounting hole (customizable) |
| Drive mode | DC brush gear motor |
| Control method | Power-on operation |
| Function | Constant speed quantitative supply |
| Working Voltage | DC12V、DC24V |
| Power | ≤12W |
| Outlet pressure | ≤0.17MPa |
| Working environment | Temperature 0-60°C, Relative humidity < 85%RH |
| Roller Quantity | Standard 2 rollers (Support 4 rollers) |

FLOW STANDARD(ML/MIN)

| Voltage | Flow | Tube | Tube Material |
|---------|--------|------|---------------|
| 12V/24V | 10~55 | 14# | BPT |
| | 40~200 | 16# | |
| | 90~420 | 17# | |
| | 8~50 | 14# | Silicone |
| | 35~180 | 16# | |
| | 80~380 | 17# | |
| | 5~45 | 14# | A-60-G |
| | 30~160 | 16# | |
| | 75~370 | 17# | |

■ Any flow within the range is optional

DIMENSIONS(MM)



Remark:

1. The flow parameters in the above table are tested with clean water without pressure at 20°C room temperature and standard atmospheric pressure, for user reference only.
2. The viscosity, density, temperature, suction lift, lift head and etc. features of the conveying medium all will affect the flow rate.

LFP302ST STEPPER MOTOR PERISTALTIC PUMP

FEATURES

- Convenient start/stop, speed increase/decrease, rotate forward/reverse
- Low noise, quiet and stable, suitable for home use
- Support PLC control
- Installation can be customized



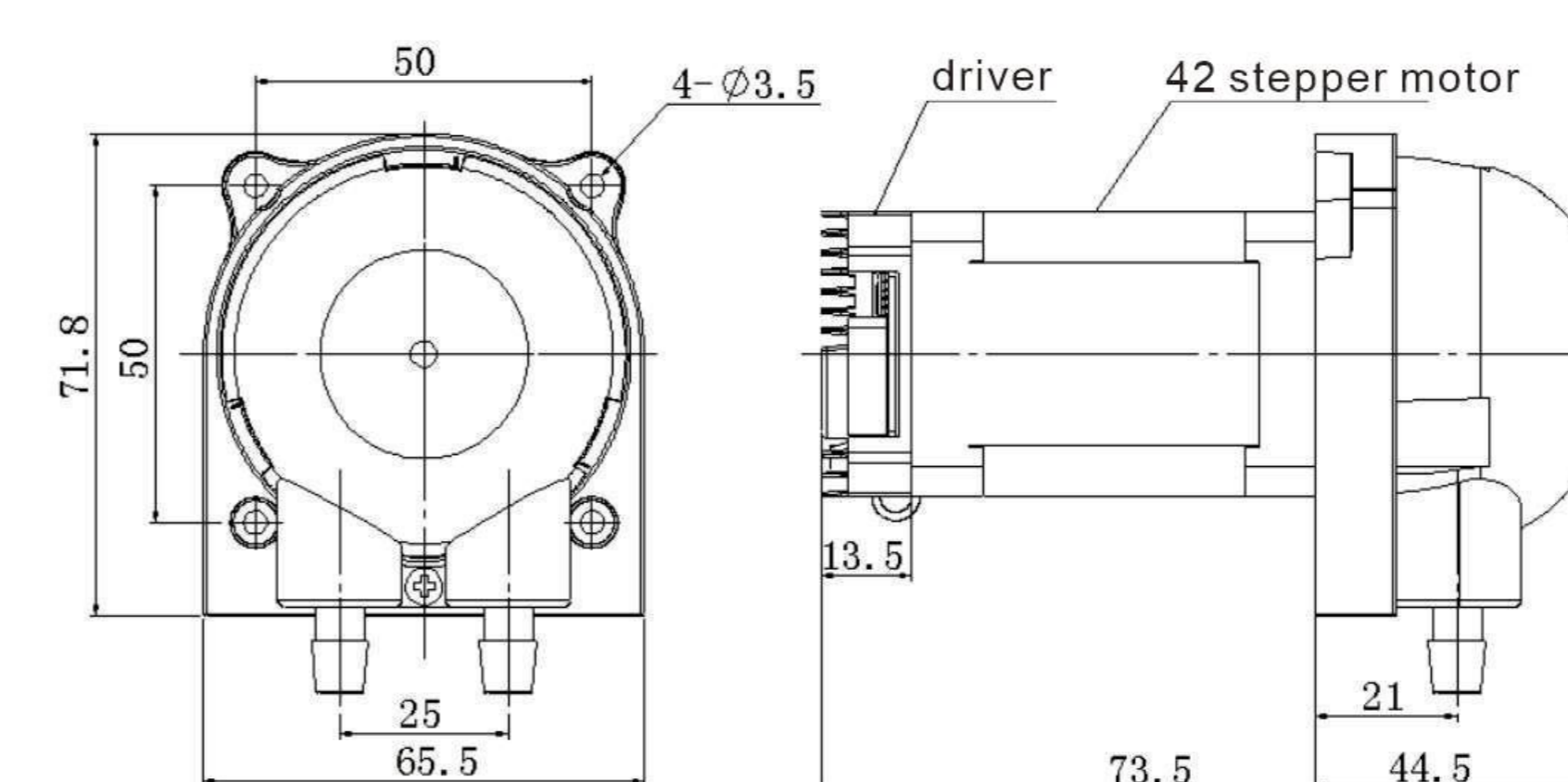
TECHNICAL PARAMETERS

| Items | Technical Parameters |
|---------------------|---|
| Installation method | Pump body with mounting hole (customizable) |
| Drive mode | Stepper motor |
| Control method | Drive control (with driver & control plate) |
| Function | Precisely adjustable flow |
| Working Voltage | DC24V |
| Power | ≤12W |
| Outlet pressure | ≤0.17MPa |
| Working environment | Temperature 0-60°C, Relative humidity < 85%RH |
| Roller Quantity | Standard 2 rollers (Support 4 rollers) |

FLOW STANDARD(ML/MIN)

| Voltage | Flow | Tube | Tube Material |
|---------|---------|------|---------------|
| 24V | 1~100 | 16# | BPT |
| | 100~300 | 25# | |
| | 300~500 | 17# | |
| | 1~80 | 16# | Silicone |
| | 80~280 | 25# | |
| | 280~480 | 17# | |
| | 1~90 | 16# | A-60-G |
| | 90~290 | 25# | |
| | 290~490 | 17# | |
| | 1~80 | 16# | |
| 80~280 | 25# | | |
| 280~480 | 17# | | |

DIMENSIONS(MM)



Remark:

1. The flow parameters in the above table are tested with clean water without pressure at 20°C room temperature and standard atmospheric pressure, for user reference only.
2. The viscosity, density, temperature, suction lift, lift head and etc. features of the conveying medium all will affect the flow rate.

LFP101ST FLOW CURVE

