



Features

- 0.8% F.S / 2.0%F.S accuracy
- Special thimble structure design
- Power supply with reverse polarity protection
- Strong overload and environmental interference resistance, good stability
- Three-wired voltage 0.5-4.5 VDC output



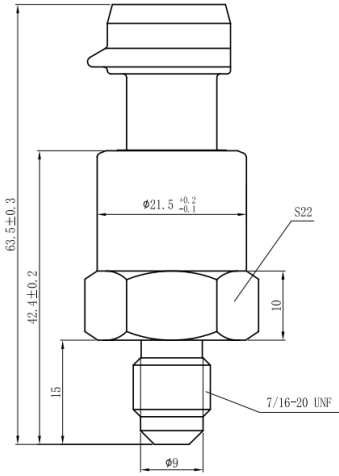
Description

T6800 pressure transmitter adopts a high-performance pressure sensing chip, combined with advanced circuit processing and temperature compensation technology, to convert pressure changes into linear voltage signals. This pressure transducer is small and easy to install. It chooses stainless steel shell to isolate and anti-corrosive, which is suitable for measuring media such as gas and liquid that are compatible with the material of the contact part.

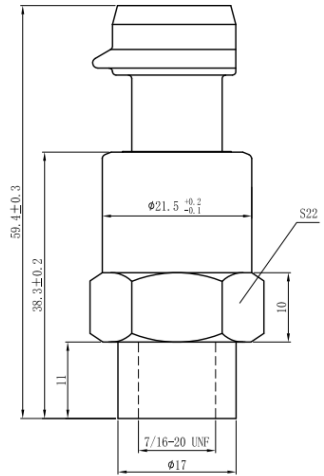
Specification

Measurement Medium	All gas or liquid compatible with ceramics, stainless steel (SUS304) and HNBR
Measurement range	0~50Bar
Overload Pressure	1.5 time of full scales
Accuracy	±2.0%F.S (-30~120°C) / ±0.8%F.S (-40~40°C)
Power Supply	Nominal value 5VDC
Output	0.5~4.5VDC
Storage Temperature	-40~120°C
Working Temperature	-40~120°C
Pressure connection	7/16-20UNFInternal thread/7/16-20UNFExternal thread
Electrical connection	Packard
Protection Grade	IP67

Dimension (mm)



7/16-20UNF external thread



7/16-20UNF internal thread

Electrical connection

	Output mode	Function	Wire color	Pin-out
	3-core Packard voltage output, three-wired	Power supply +	Red	1
		Output +	Gree	3
		Power supply/Outp	Black	2



Order Ref NO.

Code and description		Notes
T2600		Model
Range	0-50Bar	Measurement Range
V05	V05 = 0.5~4.5V (Three-wired)	Output signal
M	M= Mpa	B B = Bar Unit
0.8	0.8 = 0.8%F.S	Accuracy class
2.0	2.0 = 2.0%F.S	
P	P = Packard (Parker plug)	Electrical connection
G	G = G1/4	G2 G2 = G1/2 Pressure connection
1.0	1.0 = 1m	Cable length
T2600 0-50 V05 B 2.0 P G 1.0		Model selection example