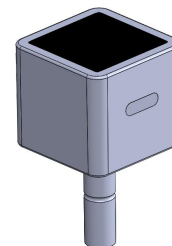


LFT221 Water Pressure Transmitter

Description

LFT221 water pressure transmitter is a cost-effective product for water industry and water treatment systems. This transmitter has features of small size, light weight, compact structure, good stability. It adopts plastic shell structure, high precision pressure core body, and it has digital adjustment and compensation technology to output standard voltage signal.



Characteristics

- ◇ ±2.0%F.S
- ◇ High stability, high reliability
- ◇ Digital adjustment
- ◇ Good EMC ability

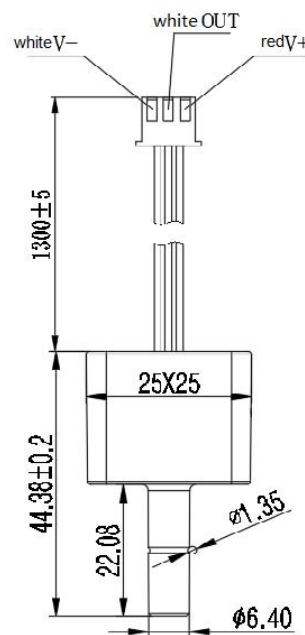
Application

- ◇ Water purification pipeline monitoring
- ◇ Building water supply
- ◇ hydraulic control
- ◇ Intelligent water pump control

Specifications

General	Value
Pressure Range	0~1MPa (Normal pressure section)
Overload Pressure	2 times rated pressure
Burst Pressure	3 times rated pressure
Accuracy	±2.0%F.S
Output Mode	Voltage type(Three-wired)
Power Supply	5±0.5Vdc
Output Signal	0.5~4.5V
Operating Temperature	0°C~60°C
Storage Temperature	- 20°C~85°C
Compatible Media	Various fluids that are non-corrosive to PA66
Load Resistance	>100KΩ
Electrical connection	3-core 2.54mm spacing wiring terminal
Shell Protection	IP65
Pressure Connection	1/4" male quick connector
Response Time	10ms

Dimensions in mm:



Wiring Definition

Cable Color	Electrical Definition
Red	Power supply positive V+
White	Output OUT
White	Power supply negative V-