

Features:

- Various switchable pressure units
- Support multiple working modes
- Built-in buzzer with sound-light alarm, field programmable alarm pressure value
- RS-485 serial communication, support standard ModBus RTU protocol
- Housing made of FR-ABS, satisfactory impact resistance and heat resistance etc.
- The Max. and Min. pressure range of discrete output can be set



Description

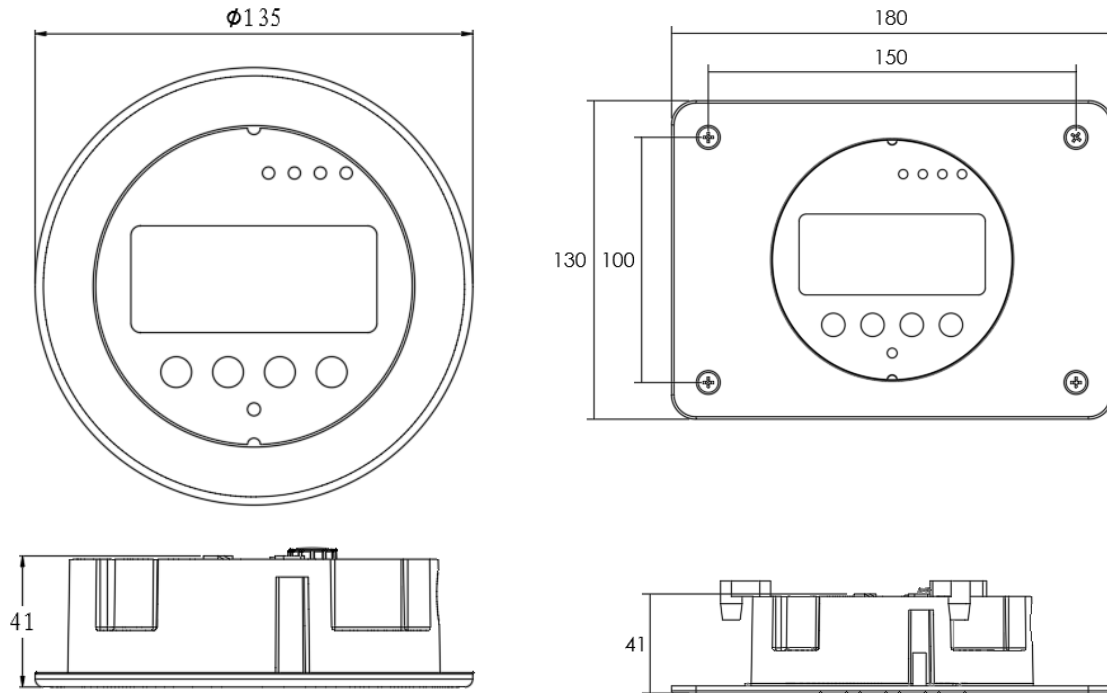
LFM32 series differential pressure controller is widely used for air or neutral gas detection control. Internal provides multiple working modes, more suitable for a variety of uses of air pressure control. Optional analog signal is 4~20mA, 0~10V or RS485 digital signal output. The range of upper and lower pressure values for switching output type operation can be set independently. It has function of built-in buzzer with sound and light alarm & alarm signal output, field programmable alarm pressure value and custom alarm mode setting. Various pressure units can be switched to view the lowest and highest pressure values. It also provides acousto-optic alarm and digital damping filtering degree can be programmed on site. The product adopts imported micro-pressure core body, digital pressure acquisition and temperature compensation, with sensitive pressure response, long-term output stability, superior temperature performance and other characteristics.

Specification

| | | |
|-------------------------------|----------------------------------------------------------------------------------|------------------|
| Measurement range | ±100Pa,±1000Pa,±10000Pa | |
| Accuracy | ±1%F.S | |
| Measured Medium | Air or non-corrosive gases | |
| Storage Temperature | -20 °C~70°C | |
| Compensated Temperature | -10 °C~60°C | |
| Protection Grade | IP65 | |
| Output Signal | 4~20mA&0~10V | RS485 |
| Control Signal | SP1 Relay Output | SP2 Relay Output |
| Relay Type | 2 SPDT relays 3A@250VAC/30VDC | |
| Power Supply | 16~30VDC | |
| Consumption | ≤2.5W | |
| Pressure Connection | Plastic Concave Interface | |
| Housing Material | ABS Industrial plastic (UL94-V0) | |
| Certification | ROHS, CE | |
| Electromagnetic Compatibility | Electromagnetic transmit: EN50081-1/-2 Electromagnetic sensitivity: EN50082-2 | |
| Display | 80*40mm LCD Display | |
| Weight | 328g | |



Dimension



Connection mode

| Function Definition | Line | Port |
|------------------------|------------------|------|
| | 16~30VDC Power + | Red |
| 16~30VDC Power - | Black | |
| 4~20mA Output + | Green | |
| 0~10V Output + | White | |
| RS485_A | Green | |
| RS485_B | White | M16 |
| SP1 Relay N/O | Red | |
| SP1 Relay Com | Black | |
| SP1 RELAY N/C | White | |
| SP2 or ALarm Relay N/O | Brown | |
| SP2 or ALarm Relay Com | Green | |
| SP2 or ALarm Relay N/C | Yellow | |

Differential Pressure Controller

P



Order Ref NO

| Code and Description | | Remark | | | |
|----------------------|----------------|--------------------------------|----------------------|--------------------|------------------------|
| LFM32 | | Model | | | |
| 6 | -100~100pa | Measurement range | | | |
| 0 | -1000~1000Pa | | | | |
| 2 | -10000~10000Pa | | | | |
| A | 4~20mA&0~10V | E | RS—485 Communication | Output Mode | |
| | P | Plastic panel (round) | | Installation panel | |
| | S | Stainless steel panel (square) | | | |
| | F | Front panel air intake | | Air intake method | |
| | B | Rear panel air intake | | | |
| LFM32 | 0 | A | P | B | Model election example |

