

Features

- Imported sensing element, high accuracy, fast response;
- Varieties of installation methods and output signal, LCD display optional;
- New industrial quick installation design, fast installation feasible.



Description

LFH50 series Temperature and Humidity Transmitter is specially designed for modern animal husbandry, science and efficient agriculture production. Three installation methods: wall-mounted type, duct type, and split type. Current, voltage, and RS485 output modes optional. Strong adaptability, spring screw/terminal design is suitable for quick installation. Ideal instrument to measure relative humidity and temperature of air in vegetable greenhouses and farms.

Specification

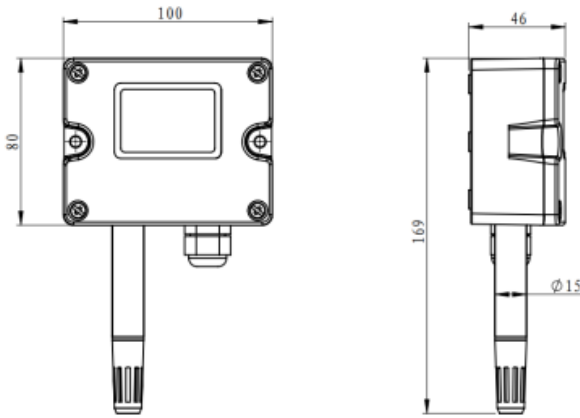
(1) Relative Humidity

Transducer	Digital
Measurement Range	0%~100%RH
Output	RS485/Modbus,0~10VDC,4~20mA optional
Accuracy	±3%@ 25°C & 60%RH
Response Time	≤10s(25°C, slow flow air)

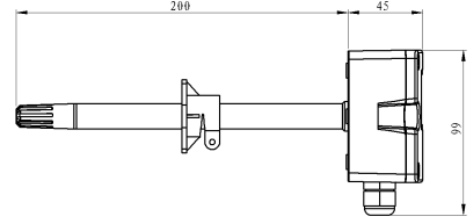
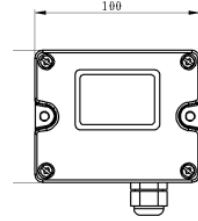
(2) Temperature

Transducer	Digital or thermal resistance, see Models Selection Table	
Measurement Range	0~50°C, -20~60°C	
Output	4~20mA, 0~10VDC, RS485/Modbus optional	
Thermal Resistance	See Models Selection Table and Thermal Resistance Index Table	
Accuracy	Digital type: ±0.5°C@25°C Thermal resistance type: ±0.2~0.4°C@25°C, See Models Selection Table	
Power Supply	Voltage Type/485 type: 15~35VDC	Current Type: 18.5~35VDC (RL=500Ω) /8.5~35VDC(RL=0Ω)
Output Load	≤500Ω(Current Type), ≥2KΩ(Voltage Type)	
Display	LCD display optional, with unit display and backlight (4~20mA output without backlight)	
Case Material	PC case, PC probe, Polymer filter (stainless probe and stainless filter optional)	
Work Temperature	-20~60°C,5%-95%RH(non-condensing)	
Protection Grade	IP65	

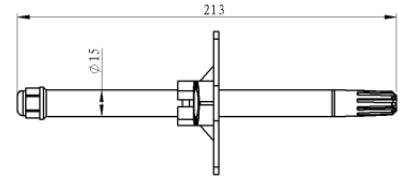
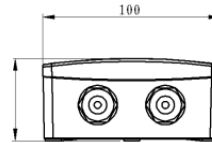
Dimension in:mm



LFH501 Wall-mounted Type



LFH502 Duct Type



LFH503 Split Type

Model Selection

Spec Code and Definition		Remark			
LFH501-	Wall-mounted temperature & humidity transmitter	Model			
LFH502-	Duct temperature& humidity transmitter				
LFH503-	Split temperature& humidity transmitter				
	V10	0~10VDC(3-wired)	Humidity Output		
	A4	4~20mA(2-wired)			
	RS	RS485/Modbus			
	V10	0~10VDC(3-wired)	Temperature Output		
	A4	4~20mA(2-wired)			
	RS	RS485/Modbus			
	0	PT1000, ±0.2°C@0°C			
	1	PT100, ±0.2°C@0°C			
	0	NO	Temperature Measurement		
	1	0~50°C			
	2	-20~60°C			
	8	other(customized)			
	0	No display	Display		
	1	LCD display			
LFH501-	A4	A4	1	1	Model Example