

Product features

- Easy and flexible to install, Easy and safe access
- Super LCD display, rich in function
- High precision, vibration resistance, long lifetime
- Intelligent control instrument



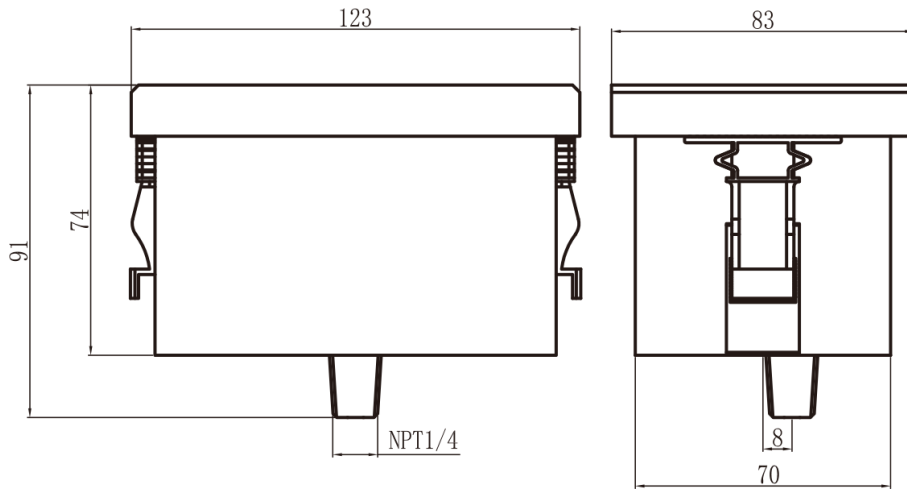
Overview

LFDS65 (650/652) series intelligent pressure controller is an intelligent control instrument which integrates pressure measurement, large LCD screen display and control ability. The instrument can automatically open / close relay output according to the pressure state in the vessel to ensure the pressure condition in the vessel. It has the characteristics of simple operation, clear display, anti-vibration, high control precision and long service life.

Technical parameters

01	Type of pressure	Vacuum type (negative pressure)	Medium pressure
	Pressure range	-101~0 Kpa	0~1.6 MPa
	Voltage withstand	1.5 times	2 times
	Media	Non-corrosive gases	
	Display mode	LCD	
	Measurement methods	Table pressure	
	Rated operating voltage	VAC 220/110	
	Output mode	Relay switch output / AC output	
	Load capacity	2200W(Single Route)	
	Storage temperature	-40℃~85℃	
	Operating temperature	-10℃~50℃	
	Protection level	IP 54	
	Installation interface	NPT1/4 external thread, G1/4、 R1/4(optional)	
	Special functions	Regular/customized	
	Precision	±1%F.S	

Dimensions



Selection Description

Code and description		Remarks
LFDS65		Model
2	0~1.6 MPa	Pressure Range
0	-101~0 Kpa	
S	Single Switch Output	Output type
A	Single AC output	
R	Routine	Special functions
J	Custom customization	
Blank	NTP1/4(Default)	Pressure connection
G	G=G1/4	
R	R=R1/4	
220V	AC220V	Power supply
110V	AC110V	

LFDS65	2	S	R	G	220V	Example of selection
--------	---	---	---	---	------	----------------------

Load working mode

