

## Features

- Self-adjusting working parameters, flexible and convenient.
- LCD display, rich in function
- High precision, vibration resistance, long service life
- Intelligent control instrument integrating pressure measurement



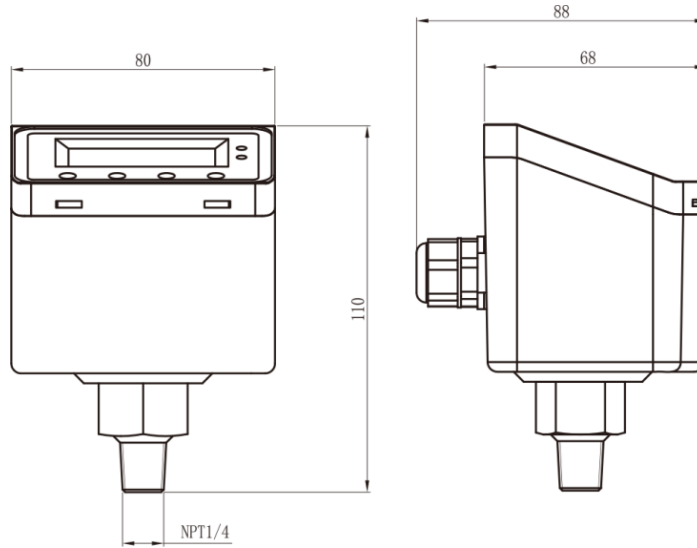
## Overview

LFDS63 (630/631/632) series adopts high reliable transmitter for pressure measurement. The signal is processed by the back-end circuit and displayed, and the relay output is automatically controlled according to the pressure change. Designed with a full-engineering plastic case and the high-contrast LCD digital display, it enables the product to be used in various industrial applications. It provides a variety of connection modes to fully meet various specific installation requirements. Building-in a variety of settings, user can adjust the working parameters flexibly and conveniently. This series of products have the characteristics of earthquake resistance, long life, simple operation, strong stability and clear display.

## Technical parameters

Type of pressure	Vacuum type (negative pressure)	Medium pressure type	High pressure type
Pressure range	-101~0 Kpa	0~1.6 MPa	~20 bar
Voltage withstand	1.5 times	2 times	2 times
Applicable fluid	Non-corrosive gases	Non-corrosive gases, non-corrosive liquids	
Display mode	LCD		
Rated-operating voltage	VAC 220/110		
Output mode	Single AC output (active charge)		
	Single Switch Output		
Load capacity	220VAC, 10A max		
Storage temperature	-40°C~85°C		
Operating temperature	-10°C~50°C		
Protection level	IP 54		
Pressure connection	NPT1/4 external thread, G1/4、R1/4( optional)		
Precision	±1.0%F.S		
Appearance dimensions	80*98*110 mm( Connections)		

## Dimensions



## Model Selection Description

Code and description		Remark				
<b>LFDS63</b>		Model				
<b>2</b>	0~1.6 MPa	Range Range				
<b>0</b>	-101~0 Kpa					
<b>A</b>	Single AC output (active charge)	Output mode				
<b>S</b>	Single Switch Output					
<b>Blank</b>	Routine	Special functions				
<b>J</b>	Custom customization					
<b>G</b>	G=G1/4( Default)	Pressure connection				
<b>N</b>	NTP1/4					
<b>R</b>	R=R1/4					
<b>220V</b>	AC220V	Power supply				
<b>110V</b>	AC110V					
LFDS63	0	S	J	G	110V	Example of selection

## Load working mode

