

Product features

- Self-adjusting working parameters
- LCD display, rich in function
- High precision, vibration resistance, long lifetime
- Intelligent control instrument integrating pressure measurement, display and control



Overview

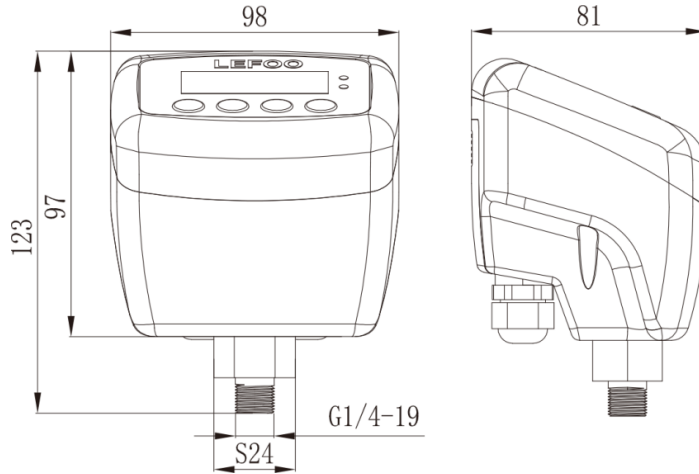
LFDS61(610/612) series intelligent pressure controller is an intelligent control instrument which integrates pressure measurement, display and control ability. The instrument can automatically open / close relay output according to the pressure state in the vessel to ensure the pressure condition in the vessel. It has the characteristics of simple operation, clear display, anti-vibration, high control precision, stability, and long lifetime.

Specification

Pressure type	Vacuum type (negative pressure)	Medium pressure
Pressure range	-101~0 Kpa	0~1.6 MPa
Proof pressure	1.5 times	2 times
Medium	Air, Non-corrosive gases	
Display mode	LCD	
Pressure form	Table pressure	
Rated operating voltage	VAC 220/110	
Output mode	Relay switch output / AC output	
Load capacity	2200W(Single Route)	
Storage temperature	-40°C~85°C	
Operating temperature	-10°C~50°C	
Protection grade	IP 54	
Connection	NPT1/4 external thread, G1/4、R1/4(optional)	
Accuracy	±1%F.S	



Dimensions



Order Ref. No.

Code and description		Notes				
LFDS61		Model				
2	0~1.6 MPa	Pressure range				
0	-101~0 Kpa					
S	Single relay switch output	Output mode				
Blank	Single AC output					
Blank	Normal	Special functions				
J	Customization					
Blank	NTP1/4 (Default)	Connection				
G	G=G1/4					
R	R=R1/4					
220V	AC 220V	Power supply				
110V	AC 110V					
LFDS61	0	S	J	G	110V	Example of selection

Relay working mode

