



LF32 is an adjustable differential pressure switch capable of detecting miniscule changes in pressure due to the size and proven design.

The switch set point or switching point can be field adjustable without the need of a manometer by simply using the adjustment knob and the built in calibrated visual scale.

This switch is equipped a clear cover that not only protects the adjustment knob to be move involuntary but also provides class IP54 protection.

Technical Data

Output	on/off
Max. Operating Pressure	5kPa
Medium	Air, non-combustible and no-aggressive gases
Operating temp. range	-40 C to 85 C
Pressure connections	2 plastic pipe connection pieces(P1 and P2), external diameter 6.0mm; P1 for connection to higher pressure (marked +) P2 for connection to lower pressure(marked -)
Mounting position	Diaphragm in any vertical plane
Contact arrangement	SPDT
Tolerance	15%
Weight	140g
Electrical rating	
- Resistance	initial<400milliohms
- Current	1.5A (0.4A) /250 V
Protection	IP54
Approvals	CE

Features

- On/Off output
- Electrical Rating 250Vac
- Switching pressure to be adjusted easy on a scaled adjustment knob
- Static, over, underpressure and vacuum
- IP54 protection

Can be delivered in 3 different alternatives

1. Only the pressure switch
2. The pressure switch separately packed and the duct fixing kit separately packed
3. The pressure switch and the duct fixing kit packed together in one small carton

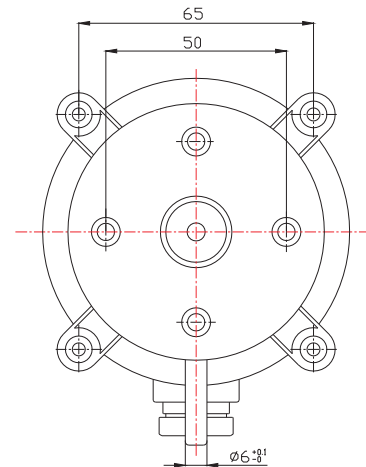
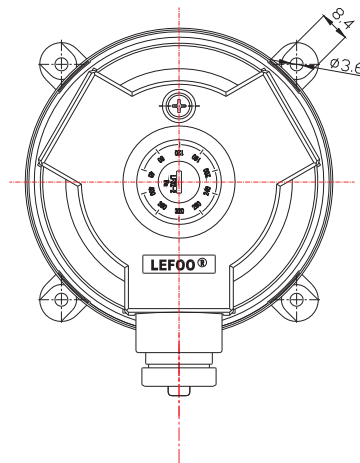
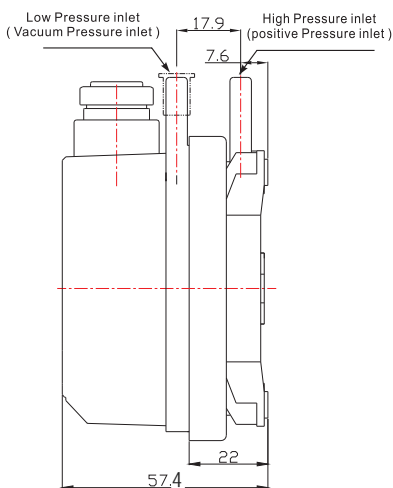
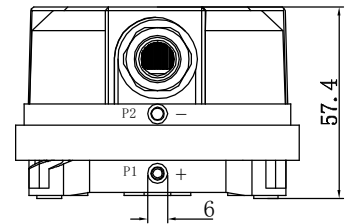
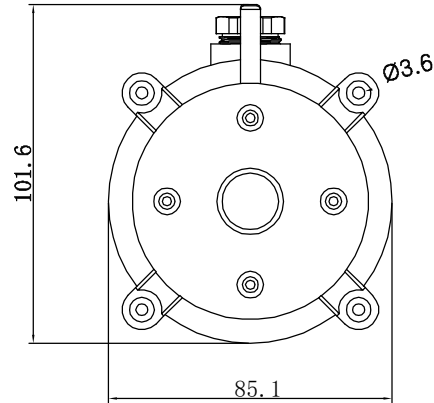
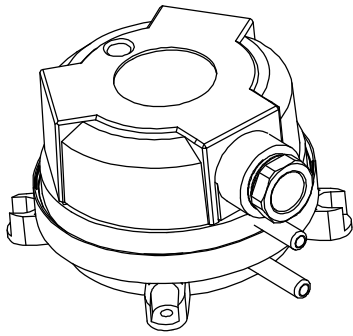
Application

Gas burner, central air conditioning, Building intelligent control

Ordering

Type no.	Adjustment range	Switching differential
Air differential pressure switch		
LF32-02	20-200Pa	10Pa
LF32-03	30-300Pa	10Pa
LF32-04	40-400Pa	20Pa
LF32-05	50-500Pa	20Pa
LF32-10	200-1000Pa	100Pa
LF32-11	100-1000Pa	50Pa
LF32-25	500-2500Pa	150Pa
LF32-50	1000-5000Pa	250Pa
Air differential pressure switch with duct fixing kit (DFK 200), packed together into a carton		
LF32-02A	20-200Pa	10Pa
LF32-03A	30-300Pa	10Pa
LF32-04A	40-400Pa	20Pa
LF32-05A	50-500Pa	20Pa
LF32-10A	200-1000Pa	100Pa
LF32-11A	100-1000Pa	50Pa
LF32-25A	500-2500Pa	150Pa
LF32-50A	1000-5000Pa	250Pa
DFK 200	Duct fixing kit	

Dimensions (mm)



Options / Accessories

Duct fixing kit



DPST Screw terminal



Electrical connection



The DFK 200 duct fixing kit includes:
2 Plastic tubes with integrated mounting plate
2 meter PVC hose and 4 screws