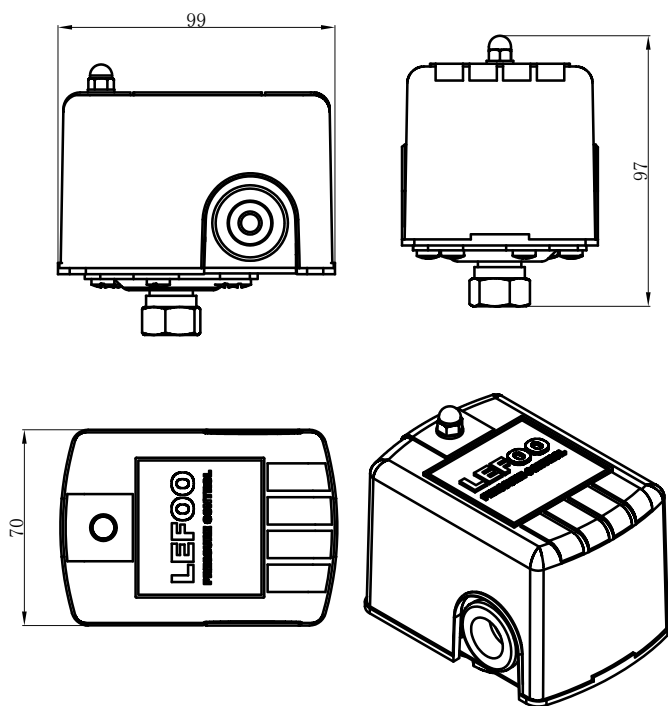


# LEFOO



# LF16

## Pump pressure switch



Dimension in:mm



LF16 pressure switches provide time tested, reliable control for automatic water systems. The switch is universally acceptable for use as original equipment on water well pumps or pumping systems.

### LF16 Order Ref NO

LF16(-1) -111 -30-50psi

**A B C** Pressure setting:Cut in 30psi      Cut off 50psi

Number	Connection Type		Connection Size
1	<b>A</b> single port	<b>B</b> female	<b>C</b> 1/4NPT
2	/	male	3/8NPT
3	/	/	R1/4
4	/	/	R3/8
5	/	/	G1/4
6	/	/	G3/8

### Specification

Model	Min On (Cut-In) psi	Min Off (Cut-Out) psi	Differential psi	Factory Setting psi	Electrical Rating			Contact Arrange- ment	Connection
					1Phase 120VAC	3Phase 240VAC	240VAC		
LF16	20	80	15-30	20-40	2HP	3HP	5HP	NC	1/4 Male or Female NPT
			15-30	30-50					
	15-35	40-60							
	40	100	20-35	70-100					
LF16-1	20	80	15-30	20-40	1.5HP	2HP	3HP		
			15-30	30-50					
	15-35	40-60							
	40	100	20-35	70-100					

Conversion:1kgf/cm<sup>2</sup>=14.2psi    1bar=14.5psi    Other connections are available on request.