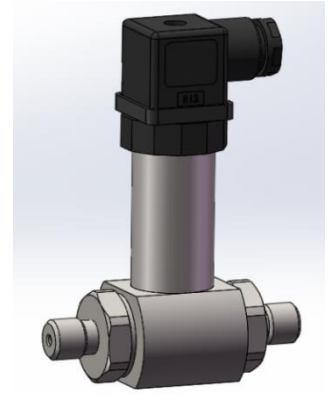


## Features

- Compact size, easy to install
- High stability, low drift
- Varieties of structures for choice
- Industrial applications



## Description

LFT2050 Differential Pressure Sensor uses silicon piezoresistive differential pressure sensor as the core components. Through temperature compensation, digital circuit correction and signal conditioning, it then outputs standard industrial signal. It adopts stainless steel structure shell, with strong corrosion resistance. Featured with advanced design, perfect technology, excellent equipment, stability and reliability, the Transmitter is widely used in various differential pressure measurement, especially in aviation, automobile, chemical industry, medical equipment, shipping, and etc.

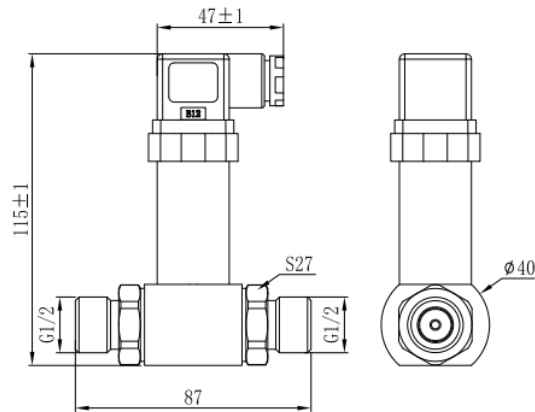
## Specification

<b>Measurement Range</b>	0~10Kpa...3.5MPa		
<b>Overload Pressure</b>	1.5 times rated pressure		
<b>Accuracy<sup>1</sup></b>	±0.25%F.S; ±0.5%F.S		
<b>Stability</b>	<0.5%F.S/Year		
<b>Working Temperature</b>	-20~85°C		
<b>Storage Temperature</b>	-40~100°C		
<b>Measured Medium</b>	Gas or liquid compatible with 304 and 316L stainless steel, fluorine rubber or nitrile rubber		
<b>Electrical Performance</b>	Two-wired	Three-wired	Four-wired
<b>Output Signal</b>	4~20mA	0~10V	RS485
<b>Power Supply</b>	10~30VDC	12~30VDC	10~30VDC
<b>Electrical Connection</b>	DIN43650A(Big Hirschmann), M12 waterproof outlet, M12 aviation connector (3-core / 4-core)		
<b>Pressure Connection</b>	G1/4, G1/2, M20*1.5, NPT1/4, and etc.		
<b>Pressure Form</b>	D(Differential pressure)		
<b>Enclosure Protection</b>	IP65		

**Remark 1:** Measured at 25°C, the Accuracy is a comprehensive accuracy of linearity, repeatability and hysteresis.

# LFT2050 Differential Pressure Transmitter LEFOO 力夫

Dimension in mm



## Order Ref NO.

Code and Description		Remark						
LFT2050		Model						
Range	0~10Kpa...3.5MPa	Measurement Range						
A4	A4 = 4~20mA (Two-wired)	Output Signal						
V10	V10 = 0~10V (Three-wired)							
RS	RS= RS-485 (Four-wired)							
K	K = kpa	P	P = psi	Measurement Unit				
M	M = Mpa	B	B = bar					
	0.25	0.25 = 0.25%F.S    0.5 = 0.5%F.S		Accuracy Grade				
	D1	D1 = DIN43650A(Big Hirschmann)		Electrical Connection				
	M	M = M12 (M12 Waterproof outlet)						
	C3	Cable(C3=3-core aviation connector, C4=4-core aviation connector)						
	G	G = G1/4	M20	M = M20*1.5	Pressure Connection			
	G2	G = G1/2	N	N = NPT1/4				
	R	R = R1/4						
	1.0	1.0 = 1m		Cable Length				
	2.0	2.0 = 2m						
	3.0	3.0 = 3m						
LFT2050	0-30	A4	B	0.25	D1	G	1.0	Model Selection Example